

DEWALT®

www.DEWALT.com

D21805

English (original instructions)	3
Français (traduction de la notice d'instructions originale)	10
ةيلصألا تاميلعتلا نع مجرتسم ةيبرعلا	18

Figure 1

شکل 1

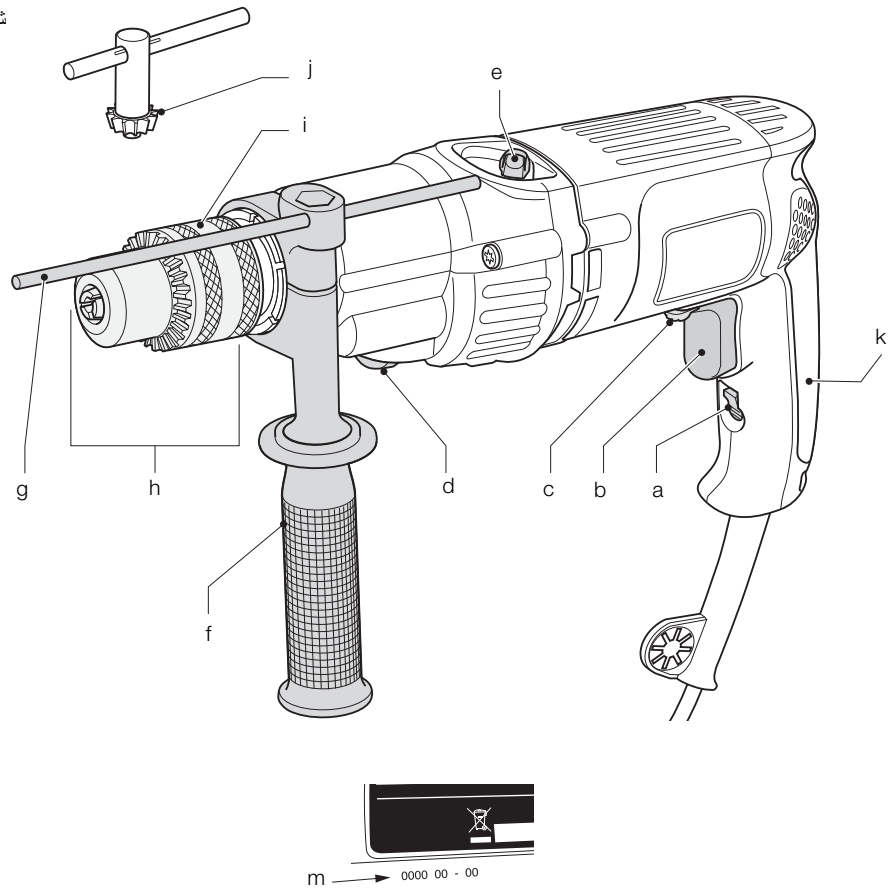


Figure 2

شکل 2

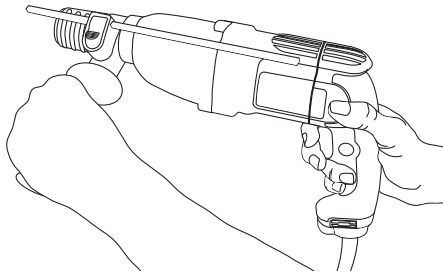


Figure 3
شکل 3

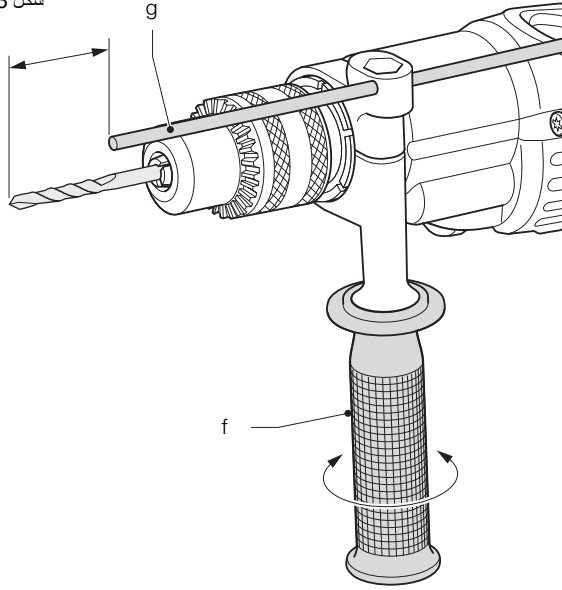


Figure 4
شکل 4

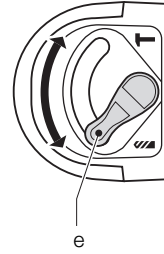


Figure 5
شکل 5

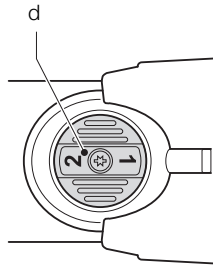


Figure 7
شکل 7

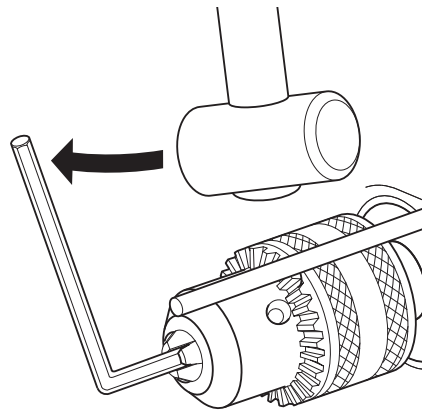
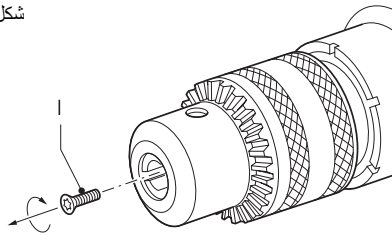


Figure 6
شکل 6



PERCUSSION DRILL

D21805

Congratulations!

You have chosen a DEWALT tool. Years of experience, thorough product development and innovation make DEWALT one of the most reliable partners for professional power tool users.

Technical Data

		D21805
Voltage	V _{AC}	220–240 120
Type		2
Power input	W	770
No-load speed		
1st gear	min ⁻¹	0–1,100
2nd gear	min ⁻¹	0–2,700
No load impact		
1st gear	min ⁻¹	0–18,700
2nd gear	min ⁻¹	0–45,900
Maximum drilling range		
in steel/wood/concrete	mm	13/35/20
Chuck spindle thread size	UNF	1/2" x 20
Collar diameter	mm	43
Maximum chuck capacity	mm	13
Weight	kg	2.3

Definitions: Safety Guidelines

The definitions below describe the level of severity for each signal word. Please read the manual and pay attention to these symbols.



DANGER: Indicates an imminently hazardous situation which, if not avoided, **will result in death or serious injury.**



WARNING: Indicates a potentially hazardous situation which, if not avoided, **could result in death or serious injury.**



CAUTION: Indicates a potentially hazardous situation which, if not avoided, **may result in minor or moderate injury.**

NOTICE: Indicates a practice **not related to personal injury** which, if not avoided, **may result in property damage.**



Denotes risk of electric shock.



Denotes risk of fire.



WARNING: To reduce the risk of injury, read the instruction manual.

General Power Tool Safety Warnings



WARNING! Read all safety warnings and all instructions. Failure to follow the warnings and instructions may result in electric shock, fire and/or serious injury.

SAVE ALL WARNINGS AND INSTRUCTIONS FOR FUTURE REFERENCE

The term "power tool" in the warnings refers to your mains-operated (corded) power tool or battery-operated (cordless) power tool.

1) WORK AREA SAFETY

- Keep work area clean and well lit.** Cluttered or dark areas invite accidents.
- Do not operate power tools in explosive atmospheres, such as in the presence of flammable liquids, gases or dust.** Power tools create sparks which may ignite the dust or fumes.
- Keep children and bystanders away while operating a power tool.** Distractions can cause you to lose control.

2) ELECTRICAL SAFETY

- Power tool plugs must match the outlet. Never modify the plug in any way. Do not use any adapter plugs with earthed (grounded) power tools.** Unmodified plugs and matching outlets will reduce risk of electric shock.
- Avoid body contact with earthed or grounded surfaces such as pipes, radiators, ranges and refrigerators.** There is an increased risk of electric shock if your body is earthed or grounded.
- Do not expose power tools to rain or wet conditions.** Water entering a power tool will increase the risk of electric shock.
- Do not abuse the cord. Never use the cord for carrying, pulling or unplugging the power tool. Keep cord away from heat, oil, sharp edges or moving parts.** Damaged or entangled cords increase the risk of electric shock.

ENGLISH

- e) **When operating a power tool outdoors, use an extension cord suitable for outdoor use.** Use of a cord suitable for outdoor use reduces the risk of electric shock.
- f) **If operating a power tool in a damp location is unavoidable, use a residual current device (RCD) protected supply.** Use of an RCD reduces the risk of electric shock.
- b) **Do not use the power tool if the switch does not turn it on and off.** Any power tool that cannot be controlled with the switch is dangerous and must be repaired.
- c) **Disconnect the plug from the power source and/or the battery pack from the power tool before making any adjustments, changing accessories, or storing power tools.** Such preventive safety measures reduce the risk of starting the power tool accidentally.

3) PERSONAL SAFETY

- a) **Stay alert, watch what you are doing and use common sense when operating a power tool. Do not use a power tool while you are tired or under the influence of drugs, alcohol or medication.** A moment of inattention while operating power tools may result in serious personal injury.
- b) **Use personal protective equipment. Always wear eye protection.** Protective equipment such as dust mask, non-skid safety shoes, hard hat, or hearing protection used for appropriate conditions will reduce personal injuries.
- c) **Prevent unintentional starting. Ensure the switch is in the off position before connecting to power source and/or battery pack, picking up or carrying the tool.** Carrying power tools with your finger on the switch or energising power tools that have the switch on invites accidents.
- d) **Remove any adjusting key or wrench before turning the power tool on.** A wrench or a key left attached to a rotating part of the power tool may result in personal injury.
- e) **Do not overreach. Keep proper footing and balance at all times.** This enables better control of the power tool in unexpected situations.
- f) **Dress properly. Do not wear loose clothing or jewellery. Keep your hair, clothing and gloves away from moving parts.** Loose clothes, jewellery or long hair can be caught in moving parts.
- g) **If devices are provided for the connection of dust extraction and collection facilities, ensure these are connected and properly used.** Use of dust collection can reduce dust-related hazards.
- e) **Maintain power tools. Check for misalignment or binding of moving parts, breakage of parts and any other condition that may affect the power tool's operation. If damaged, have the power tool repaired before use.** Many accidents are caused by poorly maintained power tools.
- f) **Keep cutting tools sharp and clean.** Properly maintained cutting tools with sharp cutting edges are less likely to bind and are easier to control.
- g) **Use the power tool, accessories and tool bits etc., in accordance with these instructions taking into account the working conditions and the work to be performed.** Use of the power tool for operations different from those intended could result in a hazardous situation.

5) SERVICE

- a) **Have your power tool serviced by a qualified repair person using only identical replacement parts.** This will ensure that the safety of the power tool is maintained.

Additional Specific Safety Rules for Drills

- **Wear ear protectors when impact drilling.** Exposure to noise can cause hearing loss.
- **Hold power tool by insulated gripping surfaces only, when performing an operation where the cutting accessory may contact hidden wiring or its own cord.** Cutting accessory contacting a "live" wire may make exposed metal parts of the power tool "live" and shock the operator.
- **Use auxiliary handles supplied with the tool.** Loss of control can cause personal injury.

- **Use clamps or other practical way to secure and support the workpiece to a stable platform.** Holding the work by hand or against your body is unstable and may lead to loss of control.
- **Wear safety goggles or other eye protection.** Drilling operations cause chips to fly. Flying particles can cause permanent eye damage.
- **Bits and tools get hot during operation.** Wear gloves when touching them.
- **Keep handles dry, clean, free from oil and grease. it is recommended to use rubber gloves.** This will enable better control of the tool.

Residual Risks

The following risks are inherent to the use of drills:

- Injuries caused by touching the rotating parts or hot parts of the tool.

In spite of the application of the relevant safety regulations and the implementation of safety devices, certain residual risks cannot be avoided. These are:

- Impairment of hearing.
- Risk of squeezing fingers when changing accessories.
- Health hazards caused by breathing dust developed when working in wood.
- Risk of personal injury due to flying particles.
- Risk of personal injury due to prolonged use.

Markings on Tool

The following pictograms are shown on the tool:



Read instruction manual before use.



Wear ear protection.



Wear eye protection.

DATE CODE POSITION (FIG. 1)

The Date Code (m), which also includes the year of manufacture, is printed into the housing.

Example:

2013 XX XX

Year of Manufacture

Package Contents

The package contains:

- 1 Percussion drill
- 1 Side handle
- 1 Depth gauge
- 1 Chuck key
- 1 Kitbox (K-models only)
- 1 Instruction manual
- 1 Exploded drawing
- Check for damage to the tool, parts or accessories which may have occurred during transport.
- Take the time to thoroughly read and understand this manual prior to operation.

Description (fig. 1, 6)



WARNING: Never modify the power tool or any part of it. Damage or personal injury could result.

- Variable speed switch
- Lock-on button
- Forward/reverse slider
- Two gear selector
- Mode selector
- Side handle
- Depth adjustment rod
- Keyed chuck
- Sleeve
- Chuck key
- Main handle
- Screw

INTENDED USE

Your D21805 percussion drill has been designed for professional drilling and impact drilling as well as for screwdriving applications.

DO NOT use under wet conditions or in presence of flammable liquids or gases.

These heavy-duty drills are professional power tools.

DO NOT let children come into contact with the tool. Supervision is required when inexperienced operators use this tool.

- This product is not intended for use by persons (including children) suffering from diminished physical, sensory or mental abilities; lack of experience, knowledge or skills unless they are

ENGLISH

supervised by a person responsible for their safety. Children should never be left alone with this product.

Electrical Safety

The electric motor has been designed for one voltage only. Always check that the power supply corresponds to the voltage on the rating plate.



Your DEWALT tool is double insulated in accordance with EN 60745; therefore no earth wire is required.



WARNING: 120 V units have to be operated via a fail-safe isolating transformer with an earth screen between the primary and secondary winding.

If the supply cord is damaged, it must be replaced by a specially prepared cord available through the DEWALT service organisation.

Mains Plug Replacement (Middle East and Africa)

If a new mains plug needs to be fitted:

- Safely dispose of the old plug.
- Connect the brown lead to the live terminal in the plug.
- Connect the blue lead to the neutral terminal.



WARNING: No connection is to be made to the earth terminal.

Follow the fitting instructions supplied with good quality plugs. Recommended fuse: 13 A.

Using an Extension Cable

If an extension cable is required, use an approved extension cable suitable for the power input of this tool (see **Technical Data**). The minimum conductor size is 1 mm²; the maximum length is 30 m.

When using a cable reel, always unwind the cable completely.

ASSEMBLY AND ADJUSTMENTS



WARNING: To reduce the risk of injury, turn unit off and disconnect machine from power source before installing and removing accessories, before adjusting or changing set-ups or when making repairs. Be sure the trigger switch is in the OFF position. An accidental start-up can cause injury.

Selecting the Operating Mode (fig. 4)

The tool can be used in two operating modes:



Rotary drilling: for steel, wood and plastics.



Percussion drilling: simultaneous rotating and impacting for concrete and masonry drilling operations.

Select the required operating mode by rotating the mode selector (e) to the required position.

Inserting and Removing a Bit (fig. 1)

1. Open the chuck by turning the sleeve (i) counterclockwise and insert the bit shank.
2. Put the chuck key (j) into each hole in the side of the chuck and turn clockwise until tight.
3. To remove the bit, proceed in reverse order.

Fitting the Side Handle (fig. 1)

The side handle (f) can be fitted to suit both RH- and LH-users.



WARNING: Always use the drill with the side handle properly assembled.

1. Loosen the side handle.
2. For RH-users, slide the side handle clamp over the collar behind the chuck, handle at the left.
3. For LH-users, slide the side handle clamp over the collar behind the chuck, handle at the right.
4. Rotate the side handle to the desired position and tighten the handle.

Setting the Drilling Depth (fig. 3)

1. Insert the required drill bit into the chuck.
2. Slacken the side handle (f).
3. Fit the depth adjustment rod (g) through the hole in the side handle clamp.
4. Adjust the drilling depth as shown.
5. Tighten the side handle.

Forward/reverse Slider (fig. 1)

To select forward or reverse rotation, use the forward/reverse-switch (c) (see arrow on tool).



WARNING: Always wait until the motor has come to a complete standstill before changing the direction of rotation.

Two Gear Selector (fig. 5)

Your tool is fitted with a two gear selector (d) to vary the speed/torque ratio.

Release the variable speed switch and select the required position. This can be done either with the tool switched off or running under no load condition. Always align the selector with the arrow on the gear housing:

- 1 low speed/high torque
(drilling large holes, driving large screws)
- 2 high speed/low torque
(drilling smaller holes, drilling in wood)

For information on speed rates, refer to the **technical data**.

Do not change gears at full speed or during use.

Chuck Removal (fig. 6, 7)

1. Open the chuck jaws as far as possible.
2. Insert a screwdriver into the chuck and remove the chuck retaining screw (l) by turning clockwise.
3. Tighten an hex key into the chuck and strike it with a hammer as shown.

Prior to Operation

- Insert the appropriate bit.
- Mark the spot where the hole is to be drilled. Securely clamp by turning clockwise until tight.

OPERATION

Instructions for Use



WARNING: To reduce the risk of serious personal injury, turn tool off and disconnect tool from power source before making any adjustments or removing/installing attachments or accessories.



WARNING: Always observe the safety instructions and applicable regulations.

- Be aware of the location of pipework and wiring.
- Apply only a gentle pressure to the tool. Excessive force does not speed up drilling but decreases tool performance and may shorten tool life.

Proper Hand Position (fig. 1, 2)



WARNING: To reduce the risk of serious personal injury, **ALWAYS** use proper hand position as shown.



WARNING: To reduce the risk of serious personal injury, **ALWAYS** hold securely in anticipation of a sudden reaction.

Proper hand position requires one hand on the side handle (f), with the other hand on the main handle (k).

Switching On and Off (fig. 1)

1. To run the tool, press the variable speed switch (a). The pressure exerted on the variable speed switch determines the tool speed.
2. If necessary, press the lock-on button (b) for continuous operation and release the switch. The lock-on button works only in full speed, forward rotation.
3. To stop the tool, release the switch.
4. To stop the tool in continuous operation, press the switch briefly and release it. Always switch off the tool when work is finished and before unplugging.

Percussion Drilling (fig. 1)

1. Select the percussion mode.
2. Press the switch (a).

Rotary Drilling (fig. 1)

1. Select the rotary drilling mode.
2. Press the switch (a).

Screwdriving (fig. 1)

1. Select forward or reverse rotation.
2. Select the rotary drilling mode.
3. Press the switch (a).

Drilling



WARNING: To reduce the risk of serious personal injury, turn tool off and disconnect tool from power source before making any adjustments or removing/installing attachments or accessories.

ENGLISH



WARNING: To reduce the risk of personal injury, ALWAYS ensure workpiece is anchored or clamped firmly. If drilling thin material, use a wood “back-up” block to prevent damage to the material.

1. Use sharp drill bits only. For WOOD, use the low speed setting and twist drill bits, spade bits, power auger bits, or hole saws. For METAL, use the low speed setting and steel twist drill bits or hole saws.
2. Always apply pressure in a straight line with the bit. Use enough pressure to keep drill biting, but do not push hard enough to stall the motor or deflect the bit.
3. Hold tool firmly with both hands to control the twisting action of the drill.



CAUTION: Drill may stall if overloaded causing a sudden twist. Always expect the stall. Grip the drill firmly to control the twisting action and avoid injury.

4. **IF DRILL STALLS**, it is usually because it is being overloaded or improperly used. **RELEASE TRIGGER IMMEDIATELY**, remove drill bit from work, and determine cause of stalling. **DO NOT CLICK TRIGGER ON AND OFF IN AN ATTEMPT TO START A STALLED DRILL – THIS CAN DAMAGE THE DRILL.**
5. To minimize stalling or breaking through the material, reduce pressure on drill and ease the bit through the last fractional part of the hole.
6. Keep the motor running when pulling the bit back out of a drilled hole. This will help prevent jamming.
7. With variable speed drills there is no need to center punch the point to be drilled. Use a slow speed to start the hole and accelerate by squeezing the trigger harder when the hole is deep enough to drill without the bit skipping out.

DRILLING IN METAL

Start drilling with slow speed and increase to full power while applying firm pressure on the tool. A smooth even flow of metal chips indicates the proper drilling rate. Use a cutting lubricant when drilling metals. The exceptions are cast iron and brass which should be drilled dry.

NOTE: Large [5/16" (8 mm) to 1/2" (13 mm)] holes in steel can be made easier if a pilot hole [5/32" (4 mm) to 3/16" (5 mm)] is drilled first.

DRILLING IN WOOD

Start drilling with slow speed and increase to full power while applying firm pressure on the tool. Holes in wood can be made with the same twist drills used for metal. These bits may overheat unless pulled out frequently to clear chips from the flutes. Work that is apt to splinter should be backed up with a block of wood.

MAINTENANCE

Your DEWALT power tool has been designed to operate over a long period of time with a minimum of maintenance. Continuous satisfactory operation depends upon proper tool care and regular cleaning.



WARNING: To reduce the risk of injury, turn unit off and disconnect machine from power source before installing and removing accessories, before adjusting or changing set-ups or when making repairs.

Be sure the trigger switch is in the OFF position. An accidental start-up can cause injury.



Lubrication

Your power tool requires no additional lubrication.



Cleaning



WARNING: Blow dirt and dust out of the main housing with dry air as often as dirt is seen collecting in and around the air vents. Wear approved eye protection and approved dust mask when performing this procedure.



WARNING: Never use solvents or other harsh chemicals for cleaning the non-metallic parts of the tool. These chemicals may weaken the materials used in these parts. Use a cloth dampened only with water and mild soap. Never let any liquid get inside the tool; never immerse any part of the tool into a liquid.

Optional Accessories



WARNING: Since accessories, other than those offered by DEWALT, have not been tested with this product, use of such accessories with this tool could be hazardous. To reduce the risk of injury, only DEWALT recommended accessories should be used with this product.

Consult your dealer for further information on the appropriate accessories.

Protecting the Environment



Separate collection. This product must not be disposed of with normal household waste.

Should you find one day that your DEWALT product needs replacement, or if it is of no further use to you, do not dispose of it with household waste. Make this product available for separate collection.



Separate collection of used products and packaging allows materials to be recycled and used again. Re-use of recycled materials helps prevent environmental pollution and reduces the demand for raw materials.

Local regulations may provide for separate collection of electrical products from the household, at municipal waste sites or by the retailer when you purchase a new product.

DEWALT provides a facility for the collection and recycling of DEWALT products once they have reached the end of their working life. To take advantage of this service please return your product to any authorised repair agent who will collect them on our behalf.

You can check the location of your nearest authorised repair agent by contacting your local DEWALT office at the address indicated in this manual. Alternatively, a list of authorised DEWALT repair agents and full details of our after-sales service and contacts are available on the Internet at: **www.2helpU.com**.

PERCEUSE A PERCUSSION

D21805

Félicitations !

Vous avez choisi un outil DEWALT. Des années d'expertise dans le développement et l'innovation de ses produits ont fait de DEWALT, le partenaire privilégié des utilisateurs professionnels d'outils électriques.

Caractéristiques techniques

		D21805
Tension	V _{AC}	220-240 120
Tipo		2
Puissance absorbée	W	770
Vitesse à vide		
1ère vitesse	min ⁻¹	0-1.100
2ème vitesse	min ⁻¹	0-2.700
Percussion à vide		
1ère vitesse	min ⁻¹	0-18.700
2ème vitesse	min ⁻¹	0-45.900
Capacité de perçage		
acier/bois/béton	mm	13/35/20
Axe de mandrin	UNF	1/2" x 20
Diamètre du collet	mm	43
Capacité du mandrin	mm	13
Poids	kg	2,3

Définitions : consignes de sécurité

Les définitions ci-après décrivent le degré de risques associé à chaque balise. Lire soigneusement la notice d'instructions et respecter ces symboles.



DANGER : indique une situation de danger imminent qui, si rien n'est fait pour l'éviter, **aura** comme conséquences la **mort ou des dommages corporels graves**.



AVERTISSEMENT : indique une situation de danger potentiel qui, si rien n'est fait pour l'éviter, **pourra** avoir comme conséquences la **mort ou des dommages corporels graves**.



ATTENTION : indique une situation de danger potentiel qui, si rien n'est fait pour l'éviter, **pourrait** avoir comme conséquences des **dommages corporels mineurs ou moindres**.

AVIS : indique une pratique ne **posant aucun risque de dommages corporels**, mais qui par contre, si rien n'est fait pour l'éviter, **pourrait** poser des **risques de dommages matériels**.



Indique des risques de décharges électriques.



Indique des risques d'incendie.



AVERTISSEMENT : pour réduire tout risque de dommages corporels, lire la notice d'instructions

Consignes de sécurité générales propres aux outils électriques



AVERTISSEMENT ! lire toutes les directives et consignes de sécurité. Tout manquement aux directives et consignes ci-incluses comporte des risques de décharges électriques, d'incendie et/ou de dommages corporels graves.

CONSERVER TOUTES CES DIRECTIVES ET CONSIGNES À TITRE DE RÉFÉRENCE

Le terme « outil électrique » mentionné dans les avertissements ci-après se rapporte aux outils alimentés sur secteur (avec fil) ou par piles (sans fil).

1) SÉCURITÉ – AIRE DE TRAVAIL

- Maintenir l'aire de travail propre et bien éclairée.** Les lieux sombres ou encombrés sont propices aux accidents.
- Ne pas utiliser un outil électrique dans un milieu déflagrant, comme en présence de liquides, gaz ou poussières inflammables.** Les outils électriques peuvent produire des étincelles qui pourraient enflammer toute émanation ou poussière ambiante.
- Maintenir à l'écart les enfants, ou toute autre personne, lors de l'utilisation d'un outil électrique.** Toute distraction pourrait faire perdre la maîtrise de l'appareil.

2) SÉCURITÉ – ÉLECTRICITÉ

- La fiche électrique de l'outil doit correspondre à la prise murale. Ne modifier la fiche en aucune façon. Ne pas utiliser de fiche d'adaptation avec un outil électrique mis à la terre (masse).**

L'utilisation de fiches d'origine et de prises appropriées réduira tout risque de décharges électriques.

- b) **Éviter tout contact corporel avec des éléments mis à la terre comme : tuyaux, radiateurs, cuisinières ou réfrigérateurs.** Les risques de décharges électriques augmentent lorsque le corps est mis à la terre.
- c) **Ne pas exposer les outils électriques à la pluie ou à l'humidité.** Tout contact d'un outil électrique avec un liquide augmente les risques de décharges électriques.
- d) **Ne pas utiliser le cordon de façon abusive. Ne jamais utiliser le cordon pour transporter, tirer ou débrancher un outil électrique. Protéger le cordon de toute source de chaleur, de l'huile, et de tout bord tranchant ou pièce mobile.** Les cordons endommagés ou emmêlés augmentent les risques de décharges électriques.
- e) **En cas d'utilisation d'un outil électrique à l'extérieur, utiliser systématiquement une rallonge conçue à cet effet.** Cela diminuera tout risque de décharges électriques.
- f) **Si on ne peut éviter d'utiliser un outil électrique en milieu humide, utiliser un circuit protégé par un dispositif de courant résiduel (RCD).** Cela réduira tout risque de décharges électriques.

3) SÉCURITÉ INDIVIDUELLE

- a) **Rester systématiquement vigilant et faire preuve de jugement lorsqu'on utilise un outil électrique. Ne pas utiliser d'outil électrique en cas de fatigue ou sous l'influence de drogues, d'alcool ou de médicaments.** Tout moment d'inattention pendant l'utilisation d'un outil électrique comporte des risques de dommages corporels graves.
- b) **Porter un équipement de protection individuel. Porter systématiquement un dispositif de protection oculaire.** Le fait de porter un masque anti-poussières, des chaussures antidérapantes, un casque de sécurité ou un dispositif de protection auditive, lorsque la situation le requiert, réduira les risques de dommages corporels.
- c) **Prévenir tout démarrage accidentel. S'assurer que l'interrupteur est en position d'arrêt avant de brancher l'outil sur le secteur et/ou à la batterie, ou de le ramasser ou le transporter.** Transporter un outil le doigt sur l'interrupteur ou brancher un outil électrique alors que l'interrupteur est en position de marche invite les accidents.

- d) **Retirer toute clé de réglage avant de démarrer l'outil.** Une clé laissée sur une pièce rotative d'un outil électrique comporte des risques de dommages corporels.
- e) **Adopter une position stable. Maintenir les pieds bien ancrés au sol et conserver son équilibre en permanence.** Cela permettra de mieux maîtriser l'outil électrique en cas de situations imprévues.
- f) **Porter des vêtements appropriés. Ne porter aucun vêtement ample ou bijou. Maintenir cheveux, vêtements et gants à l'écart des pièces mobiles, car ils pourraient s'y faire prendre.**
- g) **Lorsqu'un dispositif de connexion à un système de dépoussiérage ou d'élimination est fourni, s'assurer qu'il est branché et utilisé correctement.** L'utilisation de ces dispositifs peut réduire les risques engendrés par les poussières.

4) UTILISATION ET ENTRETIEN DES OUTILS ÉLECTRIQUES

- a) **Ne pas forcer un outil électrique. Utiliser l'outil approprié au travail en cours.** L'outil approprié effectuera un meilleur travail, de façon plus sûre et à la vitesse pour laquelle il a été conçu.
- b) **Ne pas utiliser un outil électrique dont l'interrupteur est défectueux.** Tout appareil dont l'interrupteur est défectueux est dangereux et doit être réparé.
- c) **Débrancher la fiche du secteur et/ou la batterie de l'outil électrique avant d'effectuer tout réglage, de changer tout accessoire, ou avant de le ranger.** Ces mesures préventives réduiront tout risque de démarrage accidentel de l'appareil.
- d) **Après utilisation, ranger les outils électriques hors de portée des enfants et ne permettre à aucune personne non familière avec son fonctionnement (ou sa notice d'instructions) de l'utiliser.** Les outils peuvent être dangereux entre des mains inexpérimentées.
- e) **Entretenir les outils électriques. Vérifier les pièces mobiles pour s'assurer qu'elles sont bien alignées et tournent librement, qu'elles sont en bon état et ne sont affectées d'aucune condition susceptible de nuire au bon fonctionnement de l'outil. En cas de dommage, faire réparer l'outil électrique avant toute nouvelle utilisation.** De nombreux accidents sont causés par des outils mal entretenus.
- f) **Maintenir tout organe de coupe propre et bien affûté.** Les outils de coupe bien entretenus et affûtés sont moins susceptibles de se coincer et sont plus faciles à contrôler.

- g) **Utiliser un outil électrique, ses accessoires, mèches, etc., conformément aux présentes directives et suivant la manière prévue pour ce type particulier d'outil électrique, en tenant compte des conditions de travail et de la tâche à effectuer.** L'utilisation d'un outil électrique à des fins autres que celles prévues est potentiellement dangereuse.

5) RÉPARATION

- a) **Faire entretenir les outils électriques par un réparateur qualifié en n'utilisant que des pièces de rechange identiques.** Cela permettra de préserver l'intégrité de l'outil électrique et la sécurité de l'utilisateur.

Règles de sécurité particulières additionnelles propres aux perceuses

- **Porter une protection pour l'ouïe lors du perçage à percussion.** L'exposition au bruit peut causer des pertes de l'ouïe.
- **Tenir l'outil par les surfaces isolées prévues à cet effet pendant toute utilisation où l'organe de coupe pourrait entrer en contact avec des fils électriques cachés ou son propre cordon (boulon).** Tout contact de l'organe de coupe avec un fil sous tension met les parties métalliques exposées de l'outil sous tension et électrocute l'utilisateur.
- **Utilisez les poignées auxiliaires fournies avec l'outil.** Une perte de contrôle peut entraîner des blessures corporelles.
- **Utiliser des serre-joints, ou tout autre moyen, pour fixer et immobiliser le matériau sur une surface stable.** Tenir la pièce à la main ou contre le corps offre une stabilité insuffisante qui pourrait en faire perdre le contrôle par l'utilisateur.
- **Porter des lunettes de protection ou tout autre dispositif de protection oculaire.** Le perçage produit des particules volantes. Ces particules peuvent causer des dommages oculaires permanents.
- **Les mèches et les outils chauffent pendant leur utilisation.** Porter des gants pour les manipuler.
- **Maintenir les poignées propres et sèches, exempts d'huile ou de graisse. Il est recommandé d'utiliser des gants en caoutchouc.** Cela permettra à l'utilisateur une prise plus solide de l'outil.

Risques résiduels

Les risques suivants sont inhérents à l'utilisation des perceuses :

- *Dommmages corporels par contact avec les pièces rotatives ou des parties brûlantes de l'outil.*

En dépit de l'application des normes de sécurité en vigueur et de l'installation de dispositifs de sécurité, certains risques résiduels sont inévitables. Ce sont :

- *Diminution de l'acuité auditive.*
- *Risques de se pincer les doigts lors du changement d'accessoires.*
- *Risques pour la santé causés par la respiration de poussières dégagées lors du travail du bois.*
- *Risques de dommages corporels dus à des projections de particules.*
- *Risques de dommages corporels dus à un usage prolongé.*

Étiquettes sur l'appareil

On trouve les diagrammes suivants sur l'appareil :



Lire la notice d'instructions avant toute utilisation.



Porter un dispositif de protection auditive.



Porter des lunettes de protection.

EMPLACEMENT DE LA DATE CODÉE DE FABRICATION (FIG. 1)

La date codée de fabrication (m), qui comprend aussi l'année de fabrication, est imprimée sur le boîtier.

Exemple :

2013 XX XX

Année de fabrication

Contenu de l'emballage

L'emballage contient:

- 1 Perceuse à percussion
- 1 Poignée latérale
- 1 Butée de profondeur
- 1 Clé de mandrin
- 1 Coffret de transport (seulement pour modèles K)
- 1 Manuel d'instructions

- 1 Dessin éclaté
- Vérifier si l'outil, les pièces ou les accessoires ne présentent pas de dommages dus au transport.
- Prendre le temps de lire et de comprendre à fond le présent manuel avant de mettre votre outil en marche.

Description (fig. 1, 6)



AVERTISSEMENT : ne jamais modifier l'outil électrique ni aucun de ses composants. Il y a risques de dommages corporels ou matériels.

- a. Interrupteur à variateur de vitesse
- b. Bouton de verrouillage
- c. Sélecteur de rotation gauche/droite
- d. Sélecteur de vitesse de rotation
- e. Sélecteur de mode
- f. Poignée latérale
- g. Butée de profondeur
- h. Mandrin à clé
- i. Bague du mandrin
- j. Clé de mandrin
- k. Poignée principale
- l. Vis

USAGE PRÉVU

Votre perceuse à percussion D21805 a été mise au point pour les applications de perçage, avec ou sans percussion, et de vissage professionnelles.

NE PAS utiliser ces outils en milieu ambiant humide ou en présence de liquides ou de gaz inflammables.

Ces perceuses industrielles sont des outils de professionnels. **NE PAS** le laisser à la portée des enfants. Une supervision est nécessaire auprès de tout utilisateur non expérimenté.

- Ce produit n'est pas prévu pour être utilisé par des personnes (y compris les enfants) dont les capacités physiques, sensorielles ou mentales sont réduites ou qui manquent d'expérience ou d'aptitudes, sauf si ces personnes sont surveillées par une autre personne responsable de leur sécurité. Ne jamais laisser les enfants seuls avec ce produit.

Sécurité électrique

Le moteur électrique a été conçu pour fonctionner sur une tension unique. Vérifier systématiquement que la tension du secteur correspond bien à la tension indiquée sur la plaque signalétique.



Votre outil DEWALT à double isolation est conforme à la norme EN 60745 ; un branchement à la terre n'est donc pas nécessaire.



AVERTISSEMENT : les appareils à 120 V doivent être utilisés avec des transformateurs d'isolation à l'épreuve des pannes doté d'un écran de terre entre l'enroulement primaire et secondaire.

Si le cordon fourni est endommagé, le remplacer par un cordon spécialement conçu à cet effet, et disponible auprès du service après-vente DEWALT.



Toujours utiliser la fiche prescrite lors du remplacement du câble d'alimentation.

Type 11 pour la classe II (Isolation double) – outils

Type 12 pour la classe I (Conducteur de terre) – outils



En cas d'utilisation à l'extérieur, connecter les outils portatifs à un disjoncteur FI.

Remplacement de la fiche d'alimentation (Moyen-Orient et Afrique)

Si une nouvelle fiche d'alimentation doit être montée :

- Mettre soigneusement au rebut l'ancienne fiche.
- Raccorder le fil marron à la borne de phase dans la fiche.
- Raccorder le fil bleu à la borne de neutre.



AVERTISSEMENT : aucun branchement ne doit être fait à la borne de terre.

Suivez les instructions de montage fournies avec des fiches de bonne qualité. Fusible recommandé : 13 A.

Utilisation d'une rallonge

Si une rallonge s'avère nécessaire, utiliser une rallonge homologuée et compatible avec la tension nominale de cet outil (se reporter à la section **Caractéristiques techniques**). La section minimale du conducteur est de 1 mm² pour une longueur maximale de 30 m.

En cas d'utilisation d'un dévidoir, dérouler systématiquement le câble sur toute sa longueur.

MONTAGE ET RÉGLAGES



AVERTISSEMENT : pour réduire tout risque de dommages corporels, arrêter l'outil et débrancher l'appareil du secteur avant d'installer ou de retirer tout accessoire, avant tout réglage ou changement de configuration ou lors de réparations. S'assurer que la gâchette est bien en position d'ARRÊT. Tout démarrage accidentel pourrait causer des dommages corporels.

Sélection du mode de travail (fig. 4)

Les perceuses à percussion s'utilisent en deux modes de travail:



Perçage sans percussion :
pour acier, bois et matières plastiques



Perçage avec percussion :
pour béton et maçonnerie

Sélectionner le mode de travail en tournant le sélecteur de mode (e) dans la position désirée.

Montage et démontage d'un foret ou d'un embout de vissage (fig. 1)

1. Ouvrez le mandrin en tournant la bague (i) dans le sens contraire des aiguilles d'une montre et introduisez la queue du foret.
2. Introduire la clé de mandrin (j) dans chacun des trous du mandrin et la tourner dans le sens des aiguilles d'une montre jusqu'à ce que le foret soit bien serré.
3. Pour enlever le foret ou l'embout de vissage, procédez en ordre inverse.

Montage de la poignée latérale (fig. 1)

La poignée latérale (f) peut être installée pour droitiers et pour gauchers.



AVERTISSEMENT : Toujours utiliser la perceuse avec la poignée latérale convenablement assemblée.

1. Desserrer la poignée latérale.
2. Pour droitiers, faire glisser le collier de serrage de la poignée latérale sur le collet derrière le mandrin, le manche à gauche.

3. Pour gauchers, faire glisser le collier de serrage de la poignée latérale sur le collet derrière le mandrin, le manche à droite.
4. Faites tourner la poignée latérale dans la position désirée et serrez-la.

Réglage de la profondeur de perçage (fig. 3)

1. Introduire le foret dans le mandrin.
2. Desserrer le manche de la poignée latérale (f).
3. Introduire la butée de profondeur (g) dans l'oeillet prévu à cet effet dans le collier de serrage de la poignée latérale.
4. Réglez la profondeur de perçage comme l'indique le dessin.
5. Serrer la poignée latérale.

Sélecteur de rotation gauche/droite (fig. 1)

Le sens de rotation est réversible au moyen du sélecteur de rotation gauche/droite (c).



AVERTISSEMENT : Attendre que le moteur soit complètement arrêté avant de changer le sens de rotation.

Sélecteur de vitesse de rotation (fig. 5)

Votre outil est équipé d'un sélecteur à deux vitesses (d) permettant de varier le rapport vitesse/couple.

Relâcher l'interrupteur à variateur de vitesse et sélectionner la vitesse désirée avec l'outil à l'arrêt ou fonctionnant à vide. Aligner le sélecteur et la flèche sur le boîtier d'engrenage:

- 1 basse vitesse/couple élevé (perçage de grands trous ou vissage de grandes vis)
- 2 haute vitesse/couple réduit (petits trous, perçage du bois)

Pour toute information relative aux courbes de vitesse, se reporter à la **fiche technique**.

Ne pas changer de vitesse si l'appareil tourne à pleine vitesse ou durant le travail.

Dépose du mandrin (fig. 6, 7)

1. Ouvrir le mandrin à sa capacité maximale.
2. Introduire un tournevis dans le mandrin et desserrer la vis retenant le mandrin (l) en tournant dans le sens des aiguilles d'une montre.

3. Serrez une clé hex dans le mandrin et desserrez-le en donnant un coup de marteau sur la clé Allen comme l'indique le dessin.

Avant la mise en marche

- Introduire un foret adapté.
- Marquer l'endroit où le trou va être percé.

FONCTIONNEMENT

Consignes d'utilisation



AVERTISSEMENT : pour réduire tout risque de dommages corporels graves, arrêter et débrancher l'outil avant tout réglage ou avant de retirer ou installer toute pièce ou tout accessoire.



AVERTISSEMENT : respecter systématiquement les consignes de sécurité et les normes en vigueur.

- Se renseigner sur l'emplacement des tuyauteries et des câblages.
- Appliquer une force modérée sur l'outil. Une pression excessive n'accélère pas le perçage mais altère la performance de l'outil et risque de réduire sa durée de vie.

Position correcte des mains (fig. 1, 2)



AVERTISSEMENT : pour réduire tout risque de dommages corporels graves, adopter **SYSTÉMATIQUEMENT** la position des mains illustrée.



AVERTISSEMENT : pour réduire tout risque de dommages corporels graves, maintenir fermement et **SYSTÉMATIQUEMENT** l'outil pour anticiper toute réaction soudaine de sa part.

La position correcte des mains requiert une main sur la poignée principale (f), et l'autre sur la poignée latérale (k).

Mise en marche et arrêt (fig. 1)

1. Pour mettre l'outil en marche, appuyer sur l'interrupteur à variateur (a). La vitesse augmente avec la pression exercée sur l'interrupteur.
2. Si nécessaire, appuyer sur le bouton de verrouillage (b) pour bloquer l'interrupteur et relâcher ce dernier. Le bouton de verrouillage fonctionne uniquement à pleine vitesse, rotation droite.

3. Pour arrêter l'outil, relâcher l'interrupteur.
4. Si l'interrupteur est bloqué, appuyer brièvement sur l'interrupteur et le relâcher immédiatement. Toujours mettre l'outil à l'arrêt après le travail et avant de débrancher l'outil.

Perçage avec percussion (fig. 1)

1. Sélectionner le mode de percussion.
2. Appuyer sur l'interrupteur (a).

Perçage sans percussion (fig. 1)

1. Sélectionner le mode de perçage sans percussion.
2. Appuyer sur l'interrupteur (a).

Vissage (fig. 1)

1. Sélectionner la rotation gauche ou droite.
2. Sélectionner le mode de perçage sans percussion.
3. Appuyer sur l'interrupteur (a).

Perçage



AVERTISSEMENT : Pour réduire tout risque de dommages corporels graves, arrêter et débrancher l'outil avant tout réglage ou avant de retirer ou installer toute pièce ou tout accessoire.



AVERTISSEMENT : Pour réduire tout risque de dommages corporels, s'assurer **SYSTÉMATIQUEMENT** que la pièce est ancrée ou arrimée solidement. Pour percer des matériaux fins, utiliser un morceau de bois « de renfort » pour éviter de les endommager.

1. Utilisez seulement des mèches bien affûtées. Pour le BOIS, utilisez une vitesse lente et des mèches hélicoïdales, forets à trois pointes, mèches torsadées ou des emporte-pièces. Pour le MÉTAL, utilisez une vitesse lente et des mèches hélicoïdales en acier ou des emporte-pièces.
2. Appliquez systématiquement une certaine pression sur la mèche tout en restant dans l'alignement. Utilisez assez de pression pour que la perceuse avance, mais sans pousser trop fort pour éviter de bloquer le moteur ou dévier la mèche.
3. Maintenez fermement l'outil à deux mains pour contrôler toute action de torsion de la perceuse.



ATTENTION : La perceuse peut caler si on la force et causer une torsion. S'attendre systématiquement à un blocage. Maintenir fermement la perceuse pour contrôler toute torsion et éviter tout risque de dommages corporels.

4. **SI LA PERCEUSE CALE**, c'est en général parce qu'elle est surchargée ou utilisée incorrectement. **RELÂCHEZ ALORS LA GÂCHETTE IMMÉDIATEMENT**, retirez la mèche de la pièce puis déterminez la cause du blocage. **N'APPUYEZ PAS RÉPÉTITIVEMENT SUR LA GÂCHETTE POUR TENTER DE REDÉMARRER UNE PERCEUSE BLOQUÉE. CELA POURRAIT ENDOMMAGER LA PERCEUSE.**
5. Pour minimiser tout blocage ou rupture du matériau, réduisez la pression sur la perceuse pour faciliter le passage de la mèche dans la partie finale du trou.
6. Laissez le moteur en marche alors que vous retirez la mèche du trou pour éviter tout grippage.
7. Les pointeaux sont inutiles lorsqu'on utilise une perceuse à vitesse variable. Utilisez une vitesse réduite pour commencer un trou, puis accélérez en appuyant plus fort sur la gâchette lorsque le trou est assez profond pour que la mèche ne ressorte pas.

PERÇAGE DU MÉTAL

Commencez à percer lentement puis augmenter la vitesse à son maximum en appliquant une pression ferme sur l'outil. Un jet fluide et régulier de débris métalliques sera indicateur d'une vitesse adéquate. Utilisez un lubrifiant de coupe pour percer les métaux, à l'exception de la fonte et du laiton qui doivent être percés à sec.

REMARQUE ; Les trous larges [de 8 mm (5/16") à 13 mm (1/2")] dans l'acier peuvent être facilités si l'on perce d'abord un trou pilote [de 4 mm (5/32") à 5 mm (3/16)].

PERÇAGE DU BOIS

Commencez à percer lentement puis augmentez la vitesse à son maximum en appliquant une pression ferme sur l'outil. Les trous dans le bois peuvent être faits avec des mèches hélicoïdales identiques à celles utilisées pour le métal. Ces mèches peuvent surchauffer si on ne les ressort pas fréquemment pour éliminer les débris. Doublez les pièces qui pourraient éclater avec un bloc de bois.

MAINTENANCE

Cet outil DEWALT a été conçu pour fonctionner longtemps avec un minimum de maintenance. Le fonctionnement continu et satisfaisant de l'outil dépend d'un entretien adéquat et d'un nettoyage régulier.



AVERTISSEMENT : pour réduire tout risque de dommages corporels, arrêter l'outil et débrancher l'appareil du secteur avant d'installer ou de retirer tout accessoire, avant tout réglage ou changement de configuration ou lors de réparations. S'assurer que la gâchette est bien en position d'ARRÊT. Tout démarrage accidentel pourrait causer des dommages corporels.



Lubrification

Votre outil électrique ne requiert aucune lubrification additionnelle.



Entretien



AVERTISSEMENT : éliminer poussière et saleté du boîtier principal à l'aide d'air comprimé chaque fois que les orifices d'aération semblent s'encrasser. Porter systématiquement des lunettes de protection et un masque anti-poussières homologués au cours de cette procédure.



AVERTISSEMENT : ne jamais utiliser de solvants ou tout autre produit chimique décapant pour nettoyer les parties non métalliques de l'outil. Ces produits chimiques pourraient attaquer les matériaux utilisés. Utiliser un chiffon humidifié avec de l'eau et un savon doux. Protéger l'outil de tout liquide et n'immerger aucune de ses pièces dans aucun liquide.

Accessoires en option



AVERTISSEMENT : comme les accessoires autres que ceux offerts par DEWALT n'ont pas été testés avec ce produit, leur utilisation avec cet appareil pourrait être dangereuse. Pour réduire tout risque de dommages corporels, seuls des accessoires DEWALT recommandés doivent être utilisés avec cet appareil.

Veillez consulter votre revendeur pour plus d'informations sur les accessoires appropriés.

Protection de l'environnement



Collecte sélective. Ne pas jeter ce produit avec les ordures ménagères.

En fin de durée de vie ou d'utilité de votre produit DEWALT, ne pas le jeter avec les ordures ménagères, mais dans les conteneurs de collecte sélective.



La collecte sélective des produits et emballages usagés permet de recycler et réutiliser leurs matériaux. La réutilisation de matériaux recyclés aide à protéger l'environnement contre la pollution et à réduire la demande en matière première.

Selon les réglementations locales, il peut être offert : service de collecte sélective individuel des produits électriques, ou déchetterie municipale ou collecte sur les lieux d'achat des produits neufs.

DEWALT dispose d'installations pour la collecte et le recyclage des produits DEWALT en fin de vie. Pour profiter de ce service, veuillez rapporter votre produit auprès d'un centre de réparation agréé qui le recyclera en notre nom.

Pour connaître l'adresse d'un centre de réparation agréé près de chez vous, veuillez contacter votre distributeur DEWALT local à l'adresse indiquée dans cette notice d'instructions, ou consulter la liste des centres de réparation agréés DEWALT, l'éventail de notre SAV et tout renseignement complémentaire sur Internet à l'adresse : www.2helpU.com.

المثقاب الدقاق D21805

تهانينا!

لقد اخترت أداة DEWALT. سنوات الخبرة التي تمتد خلالها عمليات تطوير المنتجات وابتكارها تجعل DEWALT من أكثر الشركاء الذين يمكن الاعتماد عليهم بالنسبة لمستخدمي الأدوات الآلية المحترفين.

البيانات الفنية

D21805		
240-220	فولت/هـرمز	الجهد الكهربائي
120		
2		النوع
770	وات	دخل الطاقة
		سرعة اللاحمل
1,100-0	دقيقة ¹	الترس الأول
2,700-0	دقيقة ¹	الترس الثاني
		سرعة اللاحمل
18,700-0	دقيقة ¹	الترس الأول
45,900-0	دقيقة ¹	الترس الثاني
		الحد الأقصى لمعدل الثقب في
20/35/13	مم	الفيولاد/الخشب/الخرسانة
20x2/1	UNF	حجم أسنان عمود دوران المخروطية
43	مم	قطر الجلبة
13	مم	الحد الأقصى لسعة الثقب
2.3	كغم	الوزن

التعريفات: تعليمات الأمان

تصف التعريفات التالية مستوى أهمية كل كلمة تحذيرية. يرجى قراءة الدليل والانتباه لتلك الرموز.

خطر: تشير هذه الكلمة إلى وجود حالة خطر وشيكة. وإذا لم يتم تفاديها، فقد تؤدي إلى الوفاة أو الإصابة الجسيمة.

تحذير: تشير هذه الكلمة إلى وجود حالة خطر محتملة. وإذا لم يتم تفاديها، فقد تؤدي إلى الوفاة أو الإصابة الجسيمة.

تنبيه: تشير هذه الكلمة إلى وجود حالة خطر محتملة. وإذا لم يتم تفاديها، فقد تؤدي إلى حدوث إصابة بسيطة أو متوسطة.

ملاحظة: تشير إلى ممارسة غير متعلقة بإصابة شخصية، إذا لم يتم تفاديها، فقد تؤدي إلى ضرر الممتلكات.

تشير إلى خطر حدوث صدمة كهربائية.

تشير إلى خطر نشوب حريق.

تحذير: لتقليل خطر حدوث الإصابات، تفضل بقراءة دليل التعليمات.

تحذيرات الأمان العامة للأدوات الكهربائية

تحذير! تفضل بقراءة جميع تحذيرات الأمان وجميع التعليمات. عدم الالتزام باتباع هذه التحذيرات والتعليمات قد يؤدي إلى حدوث صدمة كهربائية، و/أو نشوب حريق، و/أو إصابة جسيمة.

احتفظ بجميع التحذيرات والتعليمات من أجل الرجوع إليها في المستقبل

يشير المصطلح "أداة كهربائية" في التحذيرات إلى الأداة الكهربائية التي تعمل بالطاقة الكهربائية (مزودة بسلك كهربائي) أو الأداة الكهربائية التي تعمل بالبطارية (غير مزودة بسلك كهربائي).

(1) أمان منطقة العمل

- احتفظ بمنطقة العمل نظيفة ومضاءة بطريقة جيدة. حيث أن المناطق المتكدسة بغير نظام أو المظلمة تؤدي إلى وقوع الحوادث.
- لا تقم بتشغيل الأدوات الكهربائية في الأجواء المتفجرة. كأن يوجد بالمكان سوائل أو غازات أو غبار قابل للاشتعال. قد تؤدي الأدوات الكهربائية التي تحدث شرارات في اشتعال الأثرية أو الأذخنة.
- حافظ على الأطفال والأشخاص المشاهدين بعيداً أثناء تشغيل الأداة الكهربائية. فقد يؤدي تشتت الانتباه إلى فقدان سيطرتك.

(2) السلامة الكهربائية

- يجب أن يتطابق قابس الأداة الكهربائية مع مصدر التيار الكهربائي. لا تقم مطلقاً بإجراء تعديل على القابس بأي طريقة. لا تستخدم قابس المحول مع الأدوات الكهربائية المؤرضة (تم تأريضها). حيث ستقلل المقابس غير المعدلة ومصادر التيار الكهربائي المتطابقة من خطر حدوث صدمة كهربائية.
- تجنب تلامس الجسد مع الأسطح الأرضية أو المؤرضة كالأنابيب، المشعاع والنطاقات والتلججات. حيث يوجد خطر متزايد من حدوث صدمة كهربائية إذا كان جسدك مؤرضاً أو ثابتاً على الأرض.
- لا تعرض الأدوات الكهربائية للمطر أو البلل. إذ سيؤدي الماء الذي يدخل الأداة الكهربائية إلى زيادة خطر حدوث صدمة كهربائية.
- لا تستخدم الكابل بطريقة خاطئة. لا تستخدم مطلقاً السلك من أجل حمل الأشياء أو سحبها أو لنزع قابس الأداة الكهربائية. أبعد السلك عن الحرارة أو الزيوت أو الحواف الحادة أو الأجزاء المتحركة. إذ تزيد الأسلاك التالفة أو المتشابكة من خطر حدوث صدمة كهربائية.
- عند تشغيل الأداة الكهربائية خارج المنزل، استخدم سلك استطالة ملائم للاستخدام في الأماكن الخارجية. حيث إن استخدام السلك الملائم للاستخدام الخارجي يقلل من خطر حدوث الصدمة الكهربائية.
- إذا لم يكن هناك مفر من تشغيل الأداة الكهربائية في أحد الأماكن الرطبة، فاستخدم مصدر إمداد محمي بجهاز قاطع

الدورة (RCD). استخدام جهاز التيار المتبقي يقلل من حدوث الصعقة الكهربائية.

3) السلامة الشخصية

- ابق متيقظاً وراقب ما تقوم بفعله واستعن بالحواس العامة عند تشغيل الأداة الكهربائية. لا تستخدم الأداة الكهربائية عندما تكون متعباً أو تحت تأثير المخدرات أو الكحول أو الأدوية. قد تؤدي أي لحظة من السهو أثناء تشغيل الأدوات الكهربائية إلى حدوث إصابة جسدية جسيمة.
- استخدم معدات الوقاية الشخصية. قم دوماً بارتداء واقى العينين. إذ أن استخدام معدات الوقاية مثل كمامات الأتربة. وأخذية الأمان المانعة للانزلاق. والخوذة الصلبة. أو واقى الأذن للحالات ذات الصلة سيقفل من الإصابات الشخصية.
- تجنب التشغيل العرسي. تأكد من أن المفتاح في وضع إيقاف التشغيل قبل التوصيل بمصدر الطاقة. / أو مجموعة البطارية. أو التقاط أو حمل الأداة. حيث قد يؤدي حمل الأدوات الكهربائية أثناء وجود إصبعك على المفتاح أو إمداد الأدوات الكهربائية التي يكون مفتاحها بوضع التشغيل بالكهرباء إلى وقوع الحوادث.
- قم بإخراج أي مفتاح ضبط أو مفتاح ربط قبل تشغيل الأداة الكهربائية. فقد يؤدي ترك مفتاح الربط أو المفتاح بالجزء الدوار بالأداة الكهربائية إلى حدوث إصابة شخصية.
- تجنب مد يدك بعيداً بالجهة: حافظ على ثبات موضع قدمك والتوازن طيلة الوقت. إذ يساعدك ذلك على التحكم بشكل أفضل في الأداة الكهربائية في المواقف الفجائية.
- ارتد ملابس مناسبة. لا تقم بارتداء ملابس أو مجوهرات فضفاضة. أبعاد الشعر والملابس والفزازات عن الأجزاء المتحركة. فقد تحشر الملابس أو المجوهرات الفضفاضة أو الشعر الطويل في الأجزاء المتحركة.
- في حال توفير الأجهزة للتوصيل بوسائل استخلاص وتجميع الأتربة. فتأكد من توصيلها واستخدامها بطريقة صحيحة. حيث أن تجميع الأتربة قد يؤدي إلى تقليل المخاطر المتعلقة بالأتربة.

4) استخدام الأداة الكهربائية والعناية بها

- لا تتعامل بالقوة مع الأداة الكهربائية. استخدم الأداة الكهربائية الملائمة لغرض الاستخدام الخاص بك. حيث ستعجز الأداة الكهربائية الملائمة المهمة بشكل أفضل وأكثر أماناً عند المعدل الذي صممت من أجله.
- لا تستخدم الأداة الكهربائية إذا كان المفتاح لا يؤدي إلى التشغيل وإيقاف التشغيل. حيث تشكل أي أداة كهربائية لا يمكن التحكم فيها بواسطة المفتاح خطورة ويجب إصلاحها.
- قم بفصل القابس من مصدر الطاقة / أو مجموعة البطارية من الأداة الكهربائية قبل إجراء أي عمليات ضبط أو تغيير ملحقات أو تخزين الأدوات الكهربائية. تقلل مثل إجراءات السلامة الوقائية هذه من خطر تشغيل الأداة الكهربائية بشكل فجائي.
- قم بتخزين الأدوات الكهربائية المتوقفة عن العمل بعيداً عن متناول الأطفال ولا تدع الأشخاص غير الملمين بالأداة الكهربائية أو بهذه التعليمات يقومون بتشغيل الأداة الكهربائية. إذ تعد الأدوات الكهربائية خطيرة في أيدي المستخدمين غير المدربين على استخدامها.
- حافظ على الأدوات الكهربائية. افحص للتجري عن أي محاذرة غير صحيحة أو التصاق للأجزاء المتحركة. أو كسر بالأجزاء وأي حالات أخرى قد تؤثر على تشغيل الأداة الكهربائية. وفي حال وجود تلف. قم بإصلاح الأداة الكهربائية قبل الاستخدام. حيث يرجع سبب وقوع العديد من الحوادث إلى الصيانة السيئة للأدوات الكهربائية.

- حافظ على أدوات القطع في حالة حادة ونظيفة. حيث أن أدوات القطع التي تتم صيانتها بطريقة صحيحة ومزودة بحواف قطع حادة تتعرض بشكل أقل للتصاق ويسهل التحكم بها على نحو أكبر.
- استخدم الأداة الكهربائية والملحقات ولقم الأداة وما شابه ذلك وفقاً لهذه التعليمات مع الأخذ في الاعتبار ظروف التشغيل والعمل المراد تنفيذه. إذ أن استخدام الأداة الكهربائية لعمليات مختلفة عن تلك العمليات المخصصة لها قد يؤدي إلى حالة خطيرة.

5) الخدمة

- قم بصيانة الأداة الكهربائية الخاصة بك على يد فني إصلاح مؤهل وذلك من خلال استخدام أجزاء بديلة متطابقة فقط. حيث سيضمن ذلك الحفاظ على أمان الأداة الكهربائية.

قواعد الأمان الإضافية الخاصة بالآلات الثقوب

- ارتد واقبات الأذنين عند الثقب. التعرض للضوضاء قد يؤدي إلى فقدان السمع.
- قم بإمسك الأداة الكهربائية بواسطة أسطح الإمساك المعزولة عند تنفيذ العملية حيث قد يتلامس ملحق القطع مع الأسلاك الخفية أو السلك الخاص بها. ملحق القطع المتلامس مع السلك "النشط" قد يؤدي إلى "تنشيط" الأجزاء المعدنية المكشوفة من الأداة الكهربائية وتعرض المشغل للصعق.
- استخدم المقابض الواردة مع الأداة. فقدان التحكم قد يؤدي إلى حدوث إصابة شخصية.
- استخدم المشابك أو أي وسيلة عملية أخرى لتثبيت ودعم قطعة العمل على منصة عمل ثابتة. الإمساك بقطعة العمل بواسطة اليد أو على الجسد يجعلها غير ثابتة وبالتالي قد يؤدي ذلك إلى فقدان التحكم.
- ارتد النظارات الواقية وواقبات العينين الأخرى. تؤدي عمليات الثقب إلى تطاير الرقائق. وقد قد تؤدي الجسيمات المتطايرة إلى حدوث تلف دائم بالعين.
- ترتفع درجة حرارة اللقمات والأدوات أثناء التشغيل. قم بارتداء الفزازات عند ملامستهم.
- حافظ على المقابض جافة وخالية من الزيوت والشحوم. من الموصى به استخدام الفزازات المطاطية. سوق يتنبح ذلك تحكم أفضل في الأداة.

المخاطر المتبقية

فالمخاطر التالية تعتبر متصلة ومرتبطة باستخدام آلات الثقب:

- الإصابات الناجمة عن ملامسة الأجزاء الدوارة أو الأجزاء الساخنة من الأداة.
- على الرغم من تطبيق تعليمات السلامة ذات الصلة والتزود بأجهزة الأمان، فلا يمكن تقادي بعض المخاطر المتبقية المحددة. وتشمل هذه المخاطر ما يلي:
- ضعف السمع.
- خطر التعرض لعصر الأصابع عند تغيير الملحقات.
- المخاطر الصحية الناجمة عن استنشاق الأتربة الناشئة عند العمل في الأختاب.
- خطر التعرض للإصابة الشخصية بسبب الجسيمات المتطايرة.
- خطر التعرض للإصابة الشخصية بسبب الاستخدام المطول.

الاستخدام المقصود

تم تصميم المثقاب الدقائق D21805 للتعب المهني والتعب المؤثر، بالإضافة إلى استخدامات الفك.

لا تستخدم في ظل الأحوال الجوية الممطرة، أو في وجود السوائل أو الغازات القابلة للاشتعال.

هذه المثاقب ذات المهام الثقيلة هي من الأدوات الآلية المهنية. لا تدع الأطفال يلمسون الأداة. يكون الإشراف أمرًا ضروريًا عند استخدام مشغل قليل الخبرة لهذه الأداة.

- هذا المنتج غير مخصص للاستخدام من قبل الأفراد (بما في ذلك الأطفال) الذين يعانون من قصور في القدرات الجسدية أو الحسية أو العقلية، وقلة الخبرة أو المعرفة أو المهارات ما لم يكونوا تحت إشراف من يتحمل مسؤولية سلامتهم. لا ينبغي أن يُترك الأطفال وحدهم مع هذا المنتج.

السلامة الكهربائية

تم تصميم المحرك الكهربائي لتحمل جهد كهربائي واحد فقط. تأكد دومًا من أن مصدر إمداد الطاقة مطابق للجهد الكهربائي المبين على لوحة التصنيف.

تم تزويد الأداة الخاصة بك من DEWALT بعازل مزدوج طبقًا لمعيار EN 60745، لذا لا حاجة للسلك الأرضي.



تحذير: يجب تشغيل الوحدات بسعة 120 فولت من خلال محول العزل الآمن من التعطل مع شاشة التناريض بين الفئات الرئيسية وغير الرئيسية.



إذا كان سلك إمداد الطاقة تالفًا، فيجب استبداله بسلك آخر معد خصيصًا متوفر لدى مراكز خدمة DEWALT.

استبدال قابس التيار الرئيسي (الشرق الأوسط وإفريقيا)

إذا استدعت الضرورة تركيب قابس تيار رئيسي، فقم بالتالي:

- تخلص بأمان من القابس القديم.
- وصل السلك البني بطرف التوصيل النشط في القابس.
- وصل السلك الأزرق بطرف التوصيل المحايد.



تحذير: لا يتم إجراء أي توصيل بطرف التوصيل الأرضي.

قم باتباع التعليمات الواردة مع القوابس ذات الجودة العالية. المنصهر الموصى باستخدامه: 13 أمبير

استخدام كابل الاستطالة

إذا استدعت الضرورة استخدام كابل استطالة، فاستخدم كابل استطالة معتمد ملائم لخلل طاقة هذه الأداة، (انظر البيانات الفنية). الحد الأدنى لحجم الموصل هو 1 ملم²؛ بينما أقصى طول هو 30 م. عند استخدام بكره الكابل، قم دومًا بفك الكابل تمامًا.

عمليات التجميع والضبط

تحذير: لخفض خطر التعرض للإصابة، قم بإيقاف تشغيل الوحدة، وفصل الماكينة من مصدر الطاقة قبل تركيب المحلقات وفكها، وقبل ضبط أو تغيير الإعدادات، أو عند إجراء الإصلاحات. تأكد من أن مفتاح التشغيل في وضع OFF (إيقاف التشغيل). فبدء التشغيل العرضي قد يؤدي إلى حدوث إصابة.



العلامات على الأداة

الصور التالية موضحة على الأداة:



اقرأ دليل التعليمات قبل الاستخدام.



قم بارتداء واقبات الأذن.



قم بارتداء واقبات العين.

وضع كود التاريخ (شكل 1)

كود التاريخ (م) الذي يتضمن كذلك عام التصنيع مطبوع في المبيت. مثال:

2013 XX XX

سنة التصنيع

محتويات العبوة

تحتوي العبوة على:

- 1 مثقاب دقاق
- 1 مقبض جانبي
- 1 مقياس العمق
- 1 مفتاح رأس المثقاب
- 1 صندوق الأدوات (طُرُز K فقط)
- 1 دليل التعليمات
- 1 رسم ممتد

- افحص بحثًا عن التلف بالأداة أو الأجزاء أو الملحقات والذي قد يقع أثناء النقل.
- استغرق الوقت اللازم لقراءة هذا الدليل وفهمه جيدًا قبل التشغيل.

الوصف (شكل 1، 6)

تحذير: لا تقم مطلقًا بتعديل الأداة الكهربائية أو أي جزء منها. فقد ينجم عن ذلك التلف أو الإصابة الشخصية.



- أ. المفتاح ذو السرعة المتغيرة
- ب. زر القفل
- ج. مزلق للأمام/للخلف
- د. محدد الترسين
- هـ. محدد الوضع
- و. مقبض جانبي
- ز. قضيب تعديل العمق
- ح. رأس مثقاب بمفتاح
- ط. كم
- ي. مفتاح رأس المثقاب
- ك. المقبض الرئيسي
- ل. برغي

تحديد نمط التشغيل (شكل 4)

يمكن استخدام الأداة في نمطي تشغيل:

الثقب الدوار في الصلب والأخشاب، والمواد البلاستيكية.

الثقب بالدق: تدوير وتشكيل متزامن لعمليات حفر الخرسانة و مواد البناء.

حدد نمط التشغيل المطلوب عن طريق زلق محدد النمط (هـ) إلى الوضع المرغوب.

إدخال اللقمة وفكها (الشكل 1)

1. قم بفتح رأس المثقاب عن طريق إدارة الكم (ط) باتجاه عكس حركة عقارب الساعة و قم بإدخال ساق اللقمة.
2. قم بوضع مفتاح رأس المثقاب (ي) في كل فتحة موجودة بجانب رأس المثقاب وأدره باتجاه حركة عقارب الساعة حتى يتم إحكام الربط.
3. لفك اللقمة، يجب اتباع الترتيب العكسي.

تركيب المقبض الجانبي (شكل 1)

يمكن تركيب المقبض الجانبي (و) بما يتلاءم مع المستخدمين الذين يستعملون اليدي اليمنى أو اليد اليسرى.

تحذير: استخدم دوماً المثقاب مع المقبض الجانبي المركب بطريقة صحيحة.

1. قم بتحريك المقبض الجانبي.
2. بالنسبة للمستخدمين الذين يستعملون اليد اليمنى، قم بزلق مشبك المقبض الجانبي فوق الحلقة بخلف رأس المثقاب، المقبض يصبح بالجهة اليسرى.
3. بالنسبة للمستخدمين الذين يستعملون اليد اليسرى، قم بزلق مشبك المقبض الجانبي فوق الحلقة بخلف رأس المثقاب، يصبح المقبض بالجهة اليمنى.
4. أدر المقبض الجانبي إلى الوضع المرغوب، ثم إحكام ربط المقبض.

ضبط عمق الثقب (شكل 3)

1. أدخل لقمة الثقب في رأس المثقاب.
2. قم بحل المقبض الجانبي (و).
3. قم بتركيب قضيب ضبط العمق (ز) عبر الفتحة في مشبك المقبض الجانبي.
4. قم بضبط عمق الحفر كما هو موضح.
5. قم بإحكام ربط المقبض الجانبي.

مزلق للأمام/ للخلف (شكل 1)

لتحديد الدوران للأمام أو للخلف، استخدم مفتاح للأمام/ للخلف (ج) (انظر السهم على الأداة).

تحذير: انتظر دوماً لحين توقف المحرك بشكل تام قبل تغيير اتجاه الدوران.

محددات التروس (شكل 5)

تم تزويد أداتك بمحدد ترسين (د) لتغيير معدل السرعة/العزم.

حرر المفتاح متغير السرعات، وحدد الوضع المطلوب. ويمكن القيام بهذا إما من خلال إيقاف تشغيل الأداة أو التشغيل في وضع الملا حمل. قم دائماً بمحاذاة المحدد مع وضع السهم في مبيت الترس.

1 السرعة المنخفضة/عزم الدوران العالي (فتحات الثقب الكبيرة، ومسامير براغي الفك الكبيرة)

2 السرعة العالية/عزم الدوران المنخفض (فتحات الثقب الصغيرة، الثقب في الخشب)

للحصول على معدلات السرعة، يُرجى الرجوع إلى البيانات الفنية. لا تقم بتغيير التروس وهي في حالة السرعة الكاملة أو أثناء الاستخدام.

فك رأس المثقاب (الشكلان 6 و 7)

1. قم بفتح فكوك رأس المثقاب إلى أقصى مكان يمكنها الذهاب إليه.
2. أدخل الفك في رأس المثقاب و قم بفك برغي تثبيت رأس المثقاب (ل) عن طريق لفه باتجاه حركة عقارب الساعة.
3. قم بإحكام ربط المفتاح السداسي في رأس المثقاب والطرق بواسطة المطرقة كما هو موضح.

قبيل عملية التشغيل

- قم بإدخال اللقمة المناسبة.
- قم بتمييز الموضع التي سيتم فيه الثقب، وأحكام التثبيت من خلال الإدارة في اتجاه عقارب الساعة.

التشغيل

تعليمات الاستخدام

تحذير: لتقليل خطر التعرض للإصابة الشخصية الجسدية، قم بإيقاف تشغيل الأداة وفصلها من مصدر الطاقة قبل إجراء أي عمليات ضبط، أو إزالة/ تركيب الملحقات أو الأكسسوارات.

تحذير: النزم دوماً بتعليمات الأمان واللوائح المعمول بها.

- كن على دراية بموقع الأنابيب والأسلاك.
- اضغط برفق فقط على الأداة، القوة المفرطة لا تؤدي إلى تسريع عملية حفر الثقب فحسب ولكنها تقلل من أداء الأداة وقد تفحص من عمر تشغيل الأداة.

الوضع اليدوي الصحيح (الشكلان 1، 2)

تحذير: لتقليل خطر حدوث الإصابة الشخصية الجسدية، استخدم دوماً الوضع اليدوي الملائم كما هو موضح.

تحذير: لخفض خطر التعرض للإصابة الجسدية الجسدية، أمسك دوماً الأداة بإحكام عند توقع حدوث رد فعل مفاجئ.

يتطلب الوضع اليدوي الملائم استخدام يد واحدة على المقبض الجانبي (و)، مع وجود اليد الأخرى على المقبض الرئيسي (ك).

التشغيل وإيقاف التشغيل (شكل 1)

1. لتشغيل الأداة، اضغط على مفتاح التشغيل ذي السرعات المتغيرة (أ). الضغط الذي يتم بذله على مفتاح السرعة المتغير يحدد سرعة الأداة.

2. إذا استدعت الضرورة ذلك، قم بالضغط على زر تشغيل القفل (ب) للتشغيل المتواصل وحرر المفتاح. يعمل زر تشغيل القفل فقط في سرعة كاملة، ودوران أمامي.
3. لإيقاف الأداة، حرر المفتاح.
4. لإيقاف الأداة أثناء التشغيل المستمر، اضغط على المفتاح لفترة وجيزة ثم حرره. قم دوماً بإيقاف تشغيل الأداة عند الانتهاء من العمل وقبل فصل القابس.
5. لتقليل حدوث التوقف المفاجئ أو اختراق المادة، قم بخفض معدل الضغط على المثقاب وتخفيف القطعة (اللزمة) عبر الجزء المجزأ من الفتحة.
6. حافظ على المحرك في حالة دوران أثناء سحب القطعة (اللزمة) للخارج من الفتحة التي تم ثقبها. سيساعد ذلك على منع حدوث الانحسار.
7. باستخدام آلات الثقب ذات السرعة المتغيرة، لا توجد حاجة إلى التخريم المركزي للنقطة المراد ثقبها. استخدم السرعة المنخفضة لبدء عمل الثقب والتعجيل بإتسائه عن طريق الضغط على المشغل بقوة أكبر عندما يكون الثقب عميقاً بشكل يكفي لتقبه بدون قفز اللزمة للخارج.

الحفر بالدق (شكل 1)

1. حدد نمط الدق.
2. اضغط على المفتاح (أ).

الحفر الرحوي (شكل 1)

1. حدد نمط الحفر الرحوي.
2. اضغط على المفتاح (أ).

فك البراغي (الشكل 1)

1. حدد الدوران للأمام أو للخلف.
2. حدد نمط الحفر الرحوي.
3. اضغط على المفتاح (أ).

الحفر

تحذير: لتقليل خطر التعرض للإصابة الشخصية الجسدية، قم بإيقاف تشغيل الأداة وفصلها من مصدر الطاقة قبل إجراء أي عمليات ضبط، أو إزالة/تركيب الملحقات أو الأكسسوارات.



تحذير: للحد من خطر الإصابة الشخصية، تأكد دائماً من تثبيت قطعة العمل أو الإمساك بها بإحكام. إذا كانت عملية الثقب تتم في مادة رقيقة، فاستخدم كتلة خشبية "داعمة" لمنع تلف المادة.



1. استخدم لقم الثقب الحادة فقط بالنسبة للأخشاب، استخدم إعداد السرعة المنخفضة ولقم الثقب الملتوية، لقم الحفر، لقم بريمة الحفر الألية، أو منشار ثاقب. بالنسبة للمعدن، استخدم إعداد سرعة منخفضة، ولقم ثقب ملتوية صلبة أو منشار ثاقب.
2. قم دائماً بالضغط في شكل خط مستقيم على اللزمة. قم بالضغط بشكل كافي للحفاظ على لزمة الثقب في موضعها، لكن لا تقم بالدفع بقوة تكفي لإيقاف المحرك أو انحراف القطعة.
3. قم بإمساك الأداة بثبات بكلتا يديك للتحكم في فعل الاتواء لعملية الثقب.

تنبيه: قد يتوقف الثقب إذا ما أدى الحمل الزائد إلى التواء مفاجئ. توقع دوماً حدوث التوقف. قم بإمساك المثقاب بإحكام للتحكم في فعل الاتواء وتفايدي حدوث إصابة.



4. في حالة توقف الثقب، فإنه هذا يرجع غالباً إلى الحمل الزائد أو الاستخدام غير السليم. حرر المشغل على الفور، وقم بإزالة لزمة الثقب من العمل، وحدد سبب التوقف. لا تقم بإيقاف تشغيل وتشغيل المشغل في محاولة لاستكمال عملية ثقب متوقفة - فقد يؤدي هذا إلى الإضرار بالمثقاب.

ثقب المعادن

قم ببدء عملية الثقب على سرعة منخفضة، ثم زيادتها لتصل إلى الطاقة الكاملة مع بذل ضغط ثابت على الأداة. يشير التدفق السلس للرقائق المعدنية إلى معدل ثقب ملائم. استخدم شحم تزييل للقطع عند إجراء عملية ثقب المعادن. يستثنى من ذلك قوالب الحديد والنحاس السبكية التي يجب ثقبها عندما تكون جافة.

ملاحظة: يمكن إنشاء فتحات كبيرة بحجم [16/5 بوصة (8 ملم)] إلى [2/1 بوصة (13 ملم)] في الصلب بشكل أكثر سهولة إذا كانت الفتحة الدائرية بحجم [32/5 بوصة (4 ملم)] إلى [16/3 بوصة (5 ملم)]، يتم ثقبها أولاً.

ثقب الأخشاب

قم ببدء عملية الثقب على سرعة منخفضة، ثم زيادتها لتصل إلى الطاقة الكاملة مع بذل ضغط ثابت على الأداة. يمكن إنشاء ثقب في الأخشاب بواسطة نفس آلات الثقب الملتوية المستخدمة لثقب المعادن. قد ترتفع درجة حرارة هذه اللقم بشكل مفرط إلا إذا تم سحبيها للخارج بشكل متكرر للتخلص من المسافات. يجب دعم القطعة محل العمل المعرضة للانشقاق بواسطة كتلة خشبية.

الصيانة

تم تصميم الأداة الكهربائية DEWALT الخاصة بك للعمل خلال فترة زمنية طويلة مع أدنى حد من الصيانة. يعتمد التشغيل المرضي المتواصل على العناية الملائمة بالأداة وتنظيفها بشكل منتظم.



تحذير: لخفض خطر التعرض للإصابة، قم بإيقاف تشغيل الوحدة. وفصل الماكينة من مصدر الطاقة قبل تركيب الملحقات وفكها. وقبل ضبط أو تغيير الإعدادات، أو عند إجراء الإصلاحات، تأكد من أن مفنح التشغيل في وضع OFF (إيقاف التشغيل). فبدء التشغيل العرضي قد يؤدي إلى حدوث إصابة.



التشحيم

لا تحتاج الأداة الكهربائية الخاصة بك إلى أي تشحيم إضافي.



التنظيف

تحذير: قم بنفخ الأتربة والغبار خارج التنجوييف الرئيسي بواسطة الهواء الجاف عدد أكبر من المرات في حال مشاهدة تجمع الأتربة بداخل المنافذ الهوائية وحولها.



قم بارتداء واقي العين المعتمد وكمامة الأتربة المعتمدة عند تنفيذ هذا الإجراء.

تحذير: لا تقم مطلقاً باستخدام مذيبيات أو أي مواد كيميائية قاسية أخرى لتنظيف الأجزاء غير المعدنية بالأداة. إذ قد تضعف هذه المواد الكيميائية من المواد المستخدمة في هذه الأجزاء. استخدم قطعة قماش مبللة بالماء والصابون الخفيف فقط. لا تسمح قط بدخول أي سائل إلى الأداة. ولا تقم مطلقاً بغمر أي جزء من الأداة في السائل.



الملحقات الإختيارية

تحذير: نظراً لأن الملحقات. بخلاف تلك التي اعتمدها DEWALT, لم تخضع للاختبار مع هذا المنتج. فإن استخدام مثل هذه الملحقات مع الأداة قد يشكل خطورة. لتقليل خطر وقوع إصابة. يجب استخدام ملحقات DEWALT الموصى بها فقط مع هذا المنتج. تخضع



استشر وكيلك لمعرفة المزيد من المعلومات حول الملحقات الملائمة.

حماية البيئة

تجمع منفصلاً. يجب عدم التخلص من هذا المنتج في النفايات المنزلية العادية.



إذا احتجت في أحد الأيام إلى استبدال منتج DEWALT الخاص بك، أو لم تعد هناك حاجة لاستخدامه، فلا تتخلص منه في النفايات المنزلية. اجعل هذا المنتج متوفراً للتجميع المنفصل.

التجميع المنفصل للمنتجات والعبوات المستهلكة يتيح إعادة تدوير المواد واستخدامها مرة أخرى. إعادة استخدام المواد المعاد تدويرها يساعد على منع التلوث البيئي وتقليل الطلب على المواد الخام.



قد توفر القوانين المحلية أماكن تجميع منفصلة للمنتجات الكهربائية عن النفايات المنزلية، وفي مواقع النفايات البلدية أو بواسطة بائع التجزئة عند شرائك لمنتج جديد.

تقدم شركة DEWALT مكان مخصص لتجميع وإعادة تدوير منتجات DEWALT فور بلوغها نهاية عمر التشغيل. للاستفادة من هذه الخدمة، الرجاء إعادة المنتج الخاص بك إلى وكيل إصلاح معتمد والذي سيقوم بتجميعه نيابة عنك.

بإمكانك التعرف على موقع أقرب وكيل إصلاح معتمد في منطقتك من خلال الاتصال بمكتب DEWALT المحلي على العنوان المحدد في هذا الدليل. بدلاً من ذلك، تتوفر قائمة من وكلاء إصلاح معتمدين تابعين لـ DEWALT مع بياناتهم التفصيلية الكاملة لخدمة ما بعد البيع وجهات الاتصال المتوفرة على الإنترنت عبر الموقع الإلكتروني:

www.2helpU.com



Afghanistan	Ariana Hafiz Zabi Co. Ltd. Dahan Bagh Squire Karte Ariana, Kabul, Afghanistan	info@arianahafiz.com	Tel: 93-0-799331079 Fax: 93-0-700007576 / 93-0-799331079
Algeria	Sarl Outillage Corporation 08, Rue Med Boudiaf (ex TELLA Achen) Cheraga, Alger	hakim.merdjadi@outillage-dz.com lyes@outillage-dz.com Mali.faiza@outillage-dz.com; sidahmed@outillage-dz.com	Tel: 213-0-21375130 213-0-21375131 Fax: 213-0-21369667
Angola	Angoferraria, Lda. Rua Robert Shields, nº 61, Luanda, Angola	angoferraria@gmail.com sequiera.angoferraria@gmail.com	Tel: 244-222-395837 / 244-222-395034 Fax: 244-222-394790
Azerbaijan	Royalton Holdings Ltd. 41 Khagani St. Apt. 47 AZ1001 Baku- Azerbaijan	jai@royaltonholdings.com office@royaltonholdings.com	Tel: 994-12-4935544 Fax: 994-12-5980378
Egypt	ElFarab S.A.E. 15-Nabil El Wakkad Street, Dokki, Giza, Egypt	elfarab@elfarab.com adel.ezzat@elfarab.com mahmoud.elhosseiny@elfarab.com	Tel: 202-37603946 Fax: 202-33352796
Ethiopia	Seif Tewfik Sherif Arada Sub City, Kebele 01/02, Global Insurance Bldg., 2nd Flr., Room 43, P.O. Box 2525, Addis Ababa	seif@ethionet.et nawanag@ethionet.et	Tel: 251-11-1563968 251-11-1563969 Fax: 251-11-1558009
Iraq	Al-Sard Co. for General Trading Ltd Jbara Bldg. 3Flr. Al Rasheed St., Baghdad, Iraq	dewalt.service@yahoo.com	Tel: 964-18184102
Jordan	Amman West Stores-Bashiti 210 Garden St. Tla'a Ali, P.O. Box 1564 Tla Ali Amman 11953, Jordan	ali@bashitstores.com yousef@bashitstores.com	Tel: 962-6-5350009 Fax: 962-6-5350012
Kenya	Dextron Tools Ltd. P.O. Box 20121-00200, Shariff House, Kimathi Street, Nairobi	info@alibhaishariff.co.ke dextron@alibhaishariff.co.ke	Tel: 254-20-6905000 254-20-2358021 Fax: 254-20-6905111 / 254-20-6905112
Lebanon	Est. Shaya & Azar S.A.R.L. Boulevard Jdeideh - Mar Takla - Bouchrieh . P.O. Box 90545, Jdeideh. Beirut - Lebanon	shayazar@dm.net.lb	Tel: 961 1 872305 961 1 872306 Fax: 961 1 872303
Libya	North Africa Trading (El Ghoul Brothers) P.O. Box 348, 7 October Street 11 Benghazi	maryam_farooq2003@yahoo.com nagte@eim.ae dewalt_libya@yahoo.com	Tel: 218-061-3383994 Fax: 218-092-7640688
	North Africa Trading (El Ghoul Brothers) AlBarniq DeWALT Center, Mokhazin-elsukar St. ElFallah, Tripoli	dewalt_libya@yahoo.com	Tel: 218-021-3606430 Fax: 218-092-6514813
	North Africa Trading (El Ghoul Brothers) AlHilal Service Center Tawergha St., Misurata		Tel: 218-091-3221408
Mauritius	Robert Le Marie Limited Old Moka Road, Bell Village, P.O. Box 161, Port Louis	a.blackburn.rm@rmgroup.mu jm.pierrelouis.rm@rmgroup.mu	Tel: 230-212 1865 230-212 2847 Fax: 230-2080843
Morocco	Ets Louis Guillaud & Cie 31, Rue Pierre Parent, Casablanca - 21000	boumadiane.azedine@elg.ma doukkail.marouane@elg.ma	Tel: 522-301446 / 305971 / 317815 / 315576 Fax: 522-444518 / 317888
Nigeria	Meridian Power Tools Ltd. Gr. Floor, #1 Alhaji Masha Rd, Next to Teslim Balogun Stadium, Near National Stadium Surulere, Lagos, Nigeria	braj@meridian-nigeria.com	Tel: 234-1-7740431 234-1-7740410 Fax: 234-1-7913798
Pakistan	Northern Toolings (Pvt) Ltd.-Lahore 86- Railway Road, Lahore - 7 Pakistan	zhayee@northern.pk import@northern.pk sales@northern.pk	Tel: 92-423-7651220 92-423-7641675 Fax: 92-423-7641674
	Northern Toolings (Pvt) Ltd.-Karachi 224-231 Industrial Town Plaza, Shahrah-e-Liaqat, Karachi, Pakistan	karachibr@northern.pk	Tel: 92-213-2465305 92-213-2465307 Fax: 92-213-2465301
	Northern Toolings (Pvt) Ltd.-Taxila Al-Rehman Plaza, Opposite Tehsil Court, Faisal Shaheed Road, Taxila	taxilabr@northern.pk	Tel: 92-51-4545811 Fax: 92-51-4544194
South Africa	Benray Tool Wholesalers C.C. 91 Turfontein Road, Stafford, Johannesburg, 2001 P.O. Box 260037 EXCOM 2023, South Africa	dewaltservice@benray.co.za zain@benray.co.za shafiq@benray.co.za	Tel: 27-11-6838350 Fax: 27-11-6837456
Tanzania	General Motors Investment Ltd. 14 Vingunguti-Nyerere Road, P.O.Box 16541, Dar es Salaam, Tanzania	ezra@gmi-tz.com info@gmi-tz.com chiwelesa@yahoo.com	Tel: 255-22-2865022 / 2862661 / 2862671 / 2862659 Fax: 255-22-2862667
Tunisia	Ets. Mohamed Ghorbel 03 Rue 8603 Chargaia I Tunis. Postal Code 2035	slim.ghorbel@gnet.tn moh.ghorbel@gnet.tn mourad.ghorbel@gnet.tn	Tel: 216-71794248 216-71793848 Fax: 216-71770759
Uganda	The Building Center (u) Ltd. 52 Station Road, Kitgum House, P.O. Box 7436 Kampala, Uganda	tbc@africaonline.co.ug chris@tbcu.co.ug	Tel: 256-041-4234567 256-041-4259754 Fax: 256-041-4236413
Yemen	Middle East Trading Co. (METCO) 5th Flr.Hayel Saeed Anam Bldg. Al-Mugamma St. Taiz, Yemen	tamer.metco@gmail.com tamer@metcotrading.com metco@metcotrading.com sami@metcotrading.com	Tel: 967-4-213455 Fax: 967-4-219869
	Middle East Trading Co. (METCO) Mualla Dakka, Aden	tamer.metco@gmail.com tamer@metcotrading.com metco@metcotrading.com	Tel: 967-2-222670 Fax: 967-2-222670
	Middle East Trading Co. (METCO) Hayel st., Sana'a, Yemen	tamer.metco@gmail.com tamer@metcotrading.com metco@metcotrading.com	Tel: 967-1-204201 Fax: 967-1-204204

UAE	Black & Decker (Overseas) GmbH P.O. Box 5420, Dubai	service.me@blackdecker.com	Tel: 971-4 8127400 / 8127406 Fax: 971-4 2822765	
	Ideal Star Workshop Eqpt. Trading LLC P.O. Box 37116, Al Quoz, Dubai	idealeq@emirates.net.ae	Tel: 971-4 3474160 Fax: 971-4 3474157	
	Alebrah Engineering Service P.O. Box 78954, Al Qusais, Dubai	alebrah@eim.ae	Tel: 971-4 2850044 Fax: 971-4 2844802	
	Burj Al Madeena Industrial Area No. 1, opp. Pakistani Masjid P.O. Box 37635, Sharjah	dewaltuae@hotmail.com	Tel: 971-6 5337747 Fax: 971-6 5337719	
	McCoy Middle East LLC P.O. Box 25793, Sharjah	mccoy@emirates.net.ae	Tel: 971-6 5395931 Fax: 971-6 5395932	
	McCoy Middle East LLC P.O. Box 10584, Ras Al Khaimah	mccoyrak@gmail.com	Tel: 971-7 2277095 Fax: 971-7 2277096	
	Al Sukoon Gen. Trdg. Co. LLC P.O. Box 2975, Ajman	sukoon@eim.ae	Tel: 971-6 7435725 / 7438317 Fax: 971-6 7437350	
	Zillion Equipment and Spare Parts Trading LLC P.O. Box 19740, opp. Bin Sadal / Trimix Redymix Sanaiya, Al Ain	zilliontrdg@gmail.com	Tel: 971-3 7216690 Fax: 971-3 7216103	
	Light House Electrical, Abu Dhabi Branch P.O. Box 120, Abu Dhabi	dewalt_lhe@hotmail.com	Tel: 971-2 6726131 Fax: 971-2 6720667	
	Light House Electrical, Musaffah Branch P.O. Box 120, Abu Dhabi	dewalt_lhe@hotmail.com	Tel: 971-2 5548315 Fax: 971-2 5540461	
	Bahrain	Alfouz Services Co. WLL P.O. Box 26562, Tubli, Manama	alfouz@batelco.com.bh	Tel: 973 17783562 / 17879987 Fax: 973 17783479
		Kavalani & Sons W.L.L. P.O. Box 71, Sitra, Manama	info@kavalani.com pradeep@kavalani.com	Tel: 973 17732888 Fax: 973 17737379
		Kuwait	Al Omar Technical Co. P.O. Box 4062, Safat 13041, Kuwait	alexotc@usa.net
	Fawaz Al Zayani Establishment P.O. Box 42426, Shop No.18, Al Hurnaizi Commercial Complex, Khalifa Al Jassim, Shuwaikh		dewaltkuwait@hotmail.com	Tel: 965 24828710 Fax: 965 24828716
Fawaz Al Zayani Establishment Fahaheel Industrial Area, Main St., Sanaya	dewaltkuwait@hotmail.com		Tel: 965 23925830 Fax: 965 24828716	
Oman	Al Jizzi Company LLC P.O. Box 1704, P.C. 112, Ruwi	aljizied@omantel.net.om jizzi10@omantel.net.om	Tel: 968 24832618 / 24835153 Fax: 968 24831334 / 24836460	
	Al Hassan Technical & Construction Supplies Co. LLC P.O. Box 1948, P.C. 112, Ruwi	hamriya.sr@al-hassan.com abrar.h@al-hassan.com	Tel: 968 24810575 / 24837054 Fax: 968 24810287 / 24833080	
	Oman Hardware Co. LLC P.O. Box 635, Ruwi Postal Code 112	omanhard@omantel.net.om	Tel: 968 24815131 Fax: 968 24816491	
	Khimji Ramdas P.O. Box 19, Post Code 100, Ghala, Muscat	bilal.m@khimjiramdas.com	Tel: 968 24595906/ 907 Fax: 968 24852752	
	Qatar	Teyseer Industrial Supplies & Services Co. WLL 55, Al Wakalat St. (Between St. 18 & 19) Salwa Industrial Area, P.O. Box 40523 Doha	manish@tissco-qatar.com tool.service@tissco-qatar.com	Tel: 974 4581536 Fax: 974 4682024
Shaheen Electrical Works & Trading Co. WLL Gate 34, St. 44 Industrial Area P.O. Box 9756, Doha		shaheenelc@gmail.com	Tel: 974 460 02 30 / 460 05 25 Fax: 974 460 13 38	
KSA		Industrial Material Organization (IMO) P.O. Box 623, Rail Street, Riyadh	service@imo.com.sa	Tel: 966-1 4028010 Ext. 26 Tel: 966-1 8001245757 Fax: 966-1 4037970
	Fawaz Ebrahim Al Zayani Trading Est. P.O. Box 76026, Al Raka : 31952	dewaltdammam@hotmail.com	Tel: 966-3 8140914 Fax: 966-3 8140824	
	MSS (Al-Mojil Supply & Services) P.O. Box 450, Jubail 31951	mssjubail@almojilservices.com alex.chang@almojilservices.com	Tel: 966-3 3612850 / 3624487 Tel: 966-3 3621729 Fax: 966-3 3623589 / 3620783	
	Opp-Gulf Bridge Library & Riyadh House			
	EAC (Al Yousef Contg. & Trdg. Est.) P.O. Box 30377, Jeddah -21477	golamkibria77@yahoo.com	Tel: 966-2 6519912 Fax: 966-2 6511153	
	Mohamed Ahmed Bin Aff Est. P.O. Box 530, Yanbu, Al Bahr	binaffyanbu@hotmail.com	Tel: 966-4 3222626 / 3228867 Fax: 966-4 3222210	
	Garziz Trading for Bldg Mat & Decoration P.O. Box 3364, Madina	agarziz@yahoo.com	Tel: 966-4 826 14 90 / 822 76 36 Fax: 966-4 826 57 41	
	Sultan Garment Factory (RSC) P.O. Box 29912, Riyadh 11467	rscservice@digl.net.sa	Tel: 966-1 4055148 / 4042889 Fax: 966-1 4055148	
	Al Bawardi Tools & Hardware P.O. Box 112, Dammam 31411	asattar@albawardi.com nibanez@albawardi.com	Tel: 966-3 8330780 Ext. 24 Tel: 966-3 8348585 Ext. 24 Fax: 966-3 8336303	
	Al Bawardi Tools & Hardware P.O. Box 68, Riyadh 11411	rbaltao@albawardi.com asamad@albawardi.com	Tel: 966-1 4484999 Fax: 966-3 4487877	
	Al Bawardi Tools & Hardware P.O. Box 16905, Jeddah 21474	sharadji@albawardi.com fgaber@albawardi.com	Tel: 966-2 6444547 / 6439035 Tel: 966-2 6456095 Fax: 966-2 6439024	