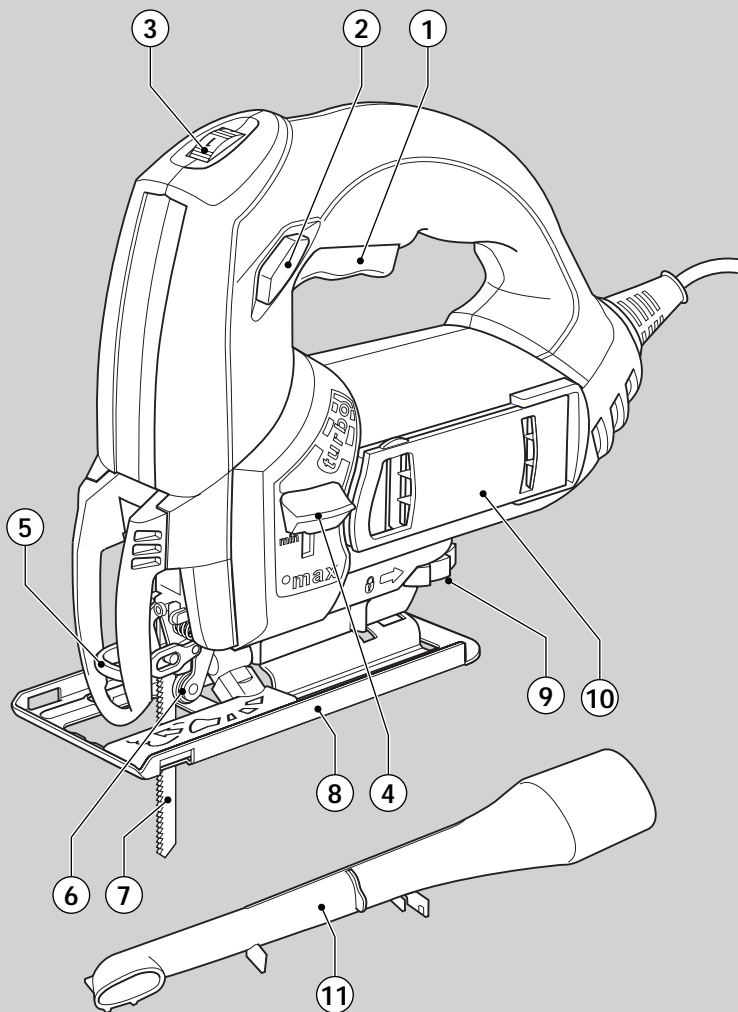


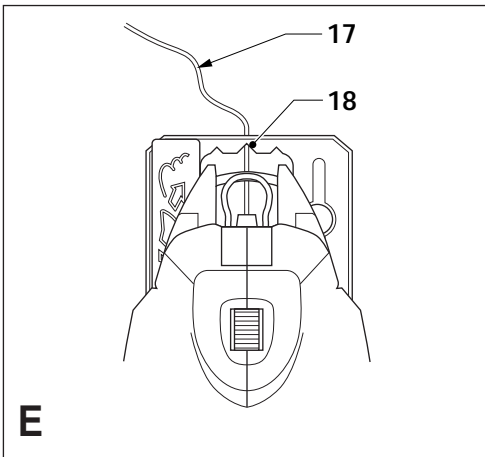
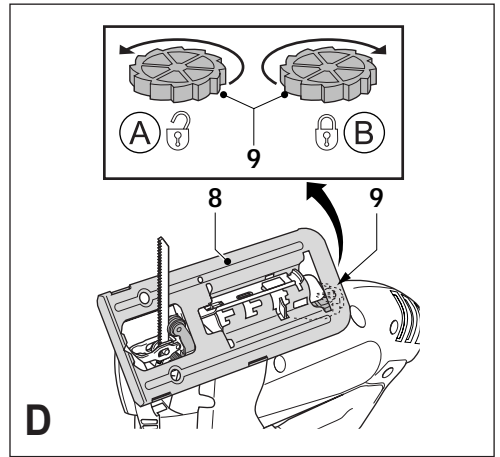
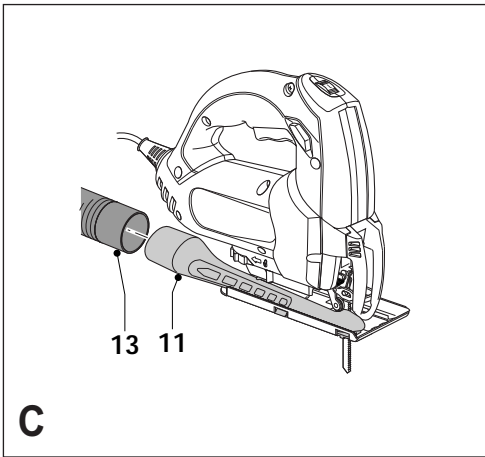
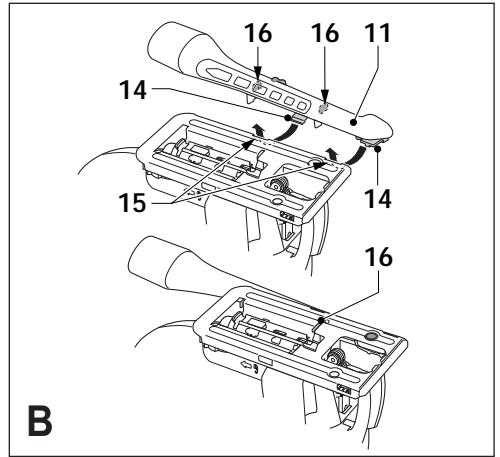
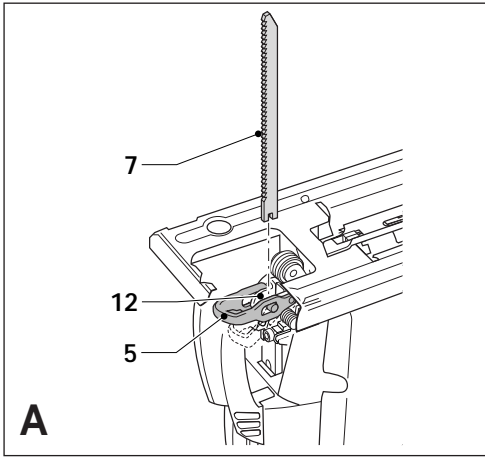


# BLACK & DECKER®

www.blackanddecker.com



English	3
Deutsch	7
Français	12
Čeština	17
Magyar	22
Polski	28
Slovenčina	33
Русский язык	38
Українська	44
Türkçe	50



## Intended use

Your Black & Decker jigsaw has been designed for sawing wood, plastics and sheet metal. This tool is intended for consumer use only.

## General safety rules

**Warning!** Read all instructions. Failure to follow all instructions listed below may result in electric shock, fire and/or serious injury. The term “power tool” in all of the warnings listed below refers to your mains operated (corded) power tool or battery operated (cordless) power tool.

SAVE THESE INSTRUCTIONS.

### 1. Work area

- a. **Keep work area clean and well lit.** Cluttered and dark areas invite accidents.
- b. **Do not operate power tools in explosive atmospheres, such as in the presence of flammable liquids, gases or dust.** Power tools create sparks which may ignite the dust or fumes.
- c. **Keep children and bystanders away while operating a power tool.** Distractions can cause you to lose control.

### 2. Electrical safety

- a. **Power tool plugs must match the outlet. Never modify the plug in any way. Do not use any adapter plugs with earthed (grounded) power tools.** Unmodified plugs and matching outlets will reduce risk of electric shock.
- b. **Avoid body contact with earthed or grounded surfaces such as pipes, radiators, ranges and refrigerators.** There is an increased risk of electric shock if your body is earthed or grounded.
- c. **Do not expose power tools to rain or wet conditions.** Water entering a power tool will increase the risk of electric shock.
- d. **Do not abuse the cord. Never use the cord for carrying, pulling or unplugging the power tool. Keep cord away from heat, oil, sharp edges or moving parts.** Damaged or entangled cords increase the risk of electric shock.
- e. **When operating a power tool outdoors, use an extension cord suitable for outdoor use.** Use of a cord suitable for outdoor use reduces the risk of electric shock.

### 3. Personal safety

- a. **Stay alert, watch what you are doing and use common sense when operating a power tool. Do not use a power tool while you are tired or under the influence of drugs, alcohol or medication.** A moment of inattention while operating power tools may result in serious personal injury.
  - b. **Use safety equipment. Always wear eye protection.** Safety equipment such as dust mask, non-skid safety shoes, hard hat, or hearing protection used for appropriate conditions will reduce personal injuries.
  - c. **Avoid accidental starting. Ensure the switch is in the off position before plugging in.** Carrying power tools with your finger on the switch or plugging in power tools that have the switch on invites accidents.
  - d. **Remove any adjusting key or wrench before turning the power tool on.** A wrench or a key left attached to a rotating part of the power tool may result in personal injury.
  - e. **Do not overreach. Keep proper footing and balance at all times.** This enables better control of the power tool in unexpected situations.
  - f. **Dress properly. Do not wear loose clothing or jewellery. Keep your hair, clothing and gloves away from moving parts.** Loose clothes, jewellery or long hair can be caught in moving parts.
  - g. **If devices are provided for the connection of dust extraction and collection facilities, ensure these are connected and properly used.** Use of these devices can reduce dust related hazards.
- ### 4. Power tool use and care
- a. **Do not force the power tool. Use the correct power tool for your application.** The correct power tool will do the job better and safer at the rate for which it was designed.
  - b. **Do not use the power tool if the switch does not turn it on and off.** Any power tool that cannot be controlled with the switch is dangerous and must be repaired.
  - c. **Disconnect the plug from the power source before making any adjustments, changing accessories, or storing power tools.** Such preventive safety measures reduce the risk of starting the power tool accidentally.

- d. **Store idle power tools out of the reach of children and do not allow persons unfamiliar with the power tool or these instructions to operate the power tool.**

Power tools are dangerous in the hands of untrained users.

- e. **Maintain power tools. Check for misalignment or binding of moving parts, breakage of parts and any other condition that may affect the power tools operation. If damaged, have the power tool repaired before use.** Many accidents are caused by poorly maintained power tools.
- f. **Keep cutting tools sharp and clean.** Properly maintained cutting tools with sharp cutting edges are less likely to bind and are easier to control.
- g. **Use the power tool, accessories and tool bits etc., in accordance with these instructions and in the manner intended for the particular type of power tool, taking into account the working conditions and the work to be performed.** Use of the power tool for operations different from those intended could result in a hazardous situation.

## 5. Service

- a. **Have your power tool serviced by a qualified repair person using only identical replacement parts.** This will ensure that the safety of the power tool is maintained.

## Electrical safety



This tool is double insulated; therefore no earth wire is required. Always check that the power supply corresponds to the voltage on the rating plate.

## Additional safety instructions for jigsaws

- **Warning!** Contact with or inhalation of dusts arising from cutting applications may endanger the health of the operator and possible bystanders. Wear a dust mask specifically designed for protection against dust and fumes and ensure that persons within or entering the work area are also protected.

## Features

This tool includes some or all of the following features.

1. On/off switch
2. Lock-on button
3. Variable speed control knob
4. Turbo selector

5. Saw blade locking lever
6. Saw blade support roller
7. Saw blade
8. Shoe plate
9. Shoe plate locking knob
10. Saw blade storage compartment
11. Dust extraction adaptor

## Assembly

**Warning!** Before attempting any of the following operations, make sure that the tool is switched off and unplugged and that the saw blade has stopped. Used saw blades can be hot.

### Fitting the saw blade (fig. A)

- Hold the saw blade (7) as shown, with the teeth facing forward.
- Push the lever (5) downwards.
- Insert the shank of the saw blade into the blade holder (12) as far as it will go.
- Release the lever.

### Connecting a vacuum cleaner to the tool (fig. B & C)

- Align the dust extraction adaptor (11) with the saw shoe as shown.
- Insert the ribs (14) into the slots (15).
- Rotate the adaptor until it locks into position. Make sure that the ribs (16) are correctly seated.
- Connect the vacuum cleaner hose (13) (not supplied) to the adaptor.

Dust extraction is not possible when making bevel cuts.

## Use

**Warning!** Never use the tool when the saw shoe is loose or removed.

### Adjusting the shoe plate for bevel cuts (fig. D)

The shoe plate can be set to a left or right bevel angle of up to 45°.

- Turn the locking knob (9) in direction A to release the shoe plate (8).
- Pull the shoe plate (8) backwards and set it to the required angle. You can use the scale or a protractor to check the angle.
- Turn the locking knob (9) in direction B to lock the shoe plate in place.

To reset the shoe plate for straight cuts:

- Turn the locking knob (9) in direction A to release the shoe plate (8).
- Pull the shoe plate backwards and set it to an angle of approx. 0°.

- Push the shoe plate forward.
- Turn the locking knob (9) in direction B to lock the shoe plate in place. Make sure that the shoe plate is supported by the guide ribs.

### Variable speed control

- Set the variable speed control knob (3) to the required speed range. Use a high speed for wood, medium speed for aluminium and PVC and low speed for metals other than aluminium.

### Turbo selector

- For fast and efficient straight cuts in wood, set the turbo selector (4) to “max”.
- For accurate straight and curve cutting and a smooth surface finish, set the turbo selector (4) to “min”.

### Switching on and off

- To switch the tool on, press the on/off switch (1).
- For continuous operation, press the lock-on button (2) and release the on/off switch.
- To switch the tool off, release the on/off switch. To switch the tool off when in continuous operation, press the on/off switch once more and release it.

### How to use the SightLine™ feature (fig. E)

- Use a pencil to mark the cutting line.
- Position the jigsaw over the line (17).

Viewing from directly above the jigsaw the line of cut can be easily followed. Should this view be restricted for any reason, the indent (18) can be used as an alternate cutting guide.

### Hints for optimum use

#### Sawing laminates

As the saw blade cuts on the upward stroke, splintering may occur on the surface closest to the shoe plate.

- Use a fine-tooth saw blade.
- Saw from the back surface of the workpiece.
- To minimise splintering, clamp a piece of scrap wood or hardboard to both sides of the workpiece and saw through this sandwich.

#### Sawing metal

- Be aware that sawing metal takes much more time than sawing wood.
- Use a saw blade suitable for sawing metal.
- When cutting thin sheet metal, clamp a piece of scrap wood to the back surface of the workpiece and cut through this sandwich.

- Spread a film of oil along the intended line of cut.

### Accessories

The performance of your tool depends on the accessory used. Black & Decker and Piranha accessories are engineered to high quality standards and designed to enhance the performance of your tool. By using these accessories you will get the very best from your tool.

This tool is suitable both for U-shank and T-shank saw blades.

### Maintenance

Your tool has been designed to operate over a long period of time with a minimum of maintenance.

Continuous satisfactory operation depends upon proper tool care and regular cleaning.

- Regularly clean the ventilation slots with a clean, dry paint brush.
- To clean the tool, use only mild soap and a damp cloth. Never let any liquid get inside the tool and never immerse any part of the tool into liquid.
- Occasionally apply a drop of oil to the axle of the blade support roller.


### Mains plug replacement (U.K. & Ireland only)

If a new mains plug needs to be fitted:


- Safely dispose of the old plug.
- Connect the brown lead to the live terminal in the new plug.
- Connect the blue lead to the neutral terminal.

**Warning!** No connection is to be made to the earth terminal. Follow the fitting instructions supplied with good quality plugs. Recommended fuse: 5 A.

### Protecting the environment

 Separate collection. This product must not be disposed of with normal household waste.

Should you find one day that your Black & Decker product needs replacement, or if it is of no further use to you, do not dispose of it with household waste. Make this product available for separate collection.

 Separate collection of used products and packaging allows materials to be recycled and used again. Re-use of recycled materials helps prevent environmental pollution and reduces the demand for raw materials.

Local regulations may provide for separate collection of electrical products from the household, at municipal waste sites or by the retailer when you purchase a new product.

Black & Decker provides a facility for the collection and recycling of Black & Decker products once they have reached the end of their working life. To take advantage of this service please return your product to any authorised repair agent who will collect them on our behalf.

You can check the location of your nearest authorised repair agent by contacting your local Black & Decker office at the address indicated in this manual. Alternatively, a list of authorised Black & Decker repair agents and full details of our after-sales service and contacts are available on the Internet at: **www.2helpU.com**

**Technical data**

		KS999E
Power input	W	600
Number of strokes (no load)	min <sup>-1</sup>	800 - 3,200
Max. depth of cut		
Wood	mm	65
Steel	mm	4
Aluminium	mm	10

**EC declaration of conformity**

KS999E

Black & Decker declares that these products conform to: 98/37/EC, 89/336/EEC, EN 60745, EN 55014, EN 61000

$L_{pA}$  (sound pressure) 86 dB(A),  $L_{WA}$  (acoustic power) 97 dB(A), hand/arm weighted vibration < 7.3 m/s<sup>2</sup>

$K_{pA}$  (sound pressure uncertainty): 3 dB(A),  
 $K_{WA}$  (acoustic power uncertainty) 3 dB(A)



Kevin Hewitt  
 Director of Consumer  
 Engineering  
 Spennymoor, County Durham DL16 6JG,  
 United Kingdom  
 1-6-2004

**Guarantee**

Black & Decker is confident of the quality of its products and offers an outstanding guarantee. This guarantee statement is in addition to and in no way prejudices your statutory rights. The guarantee is valid within the territories of the Member States of the European Union and the European Free Trade Area.

If a Black & Decker product becomes defective due to faulty materials, workmanship or lack of conformity, within 24 months from the date of purchase, Black & Decker guarantees to replace defective parts, repair products subjected to fair wear and tear or replace such products to ensure minimum inconvenience to the customer unless:

- The product has been used for trade, professional or hire purposes;
- The product has been subjected to misuse or neglect;
- The product has sustained damage through foreign objects, substances or accidents;
- Repairs have been attempted by persons other than authorised repair agents or Black & Decker service staff.

To claim on the guarantee, you will need to submit proof of purchase to the seller or an authorised repair agent. You can check the location of your nearest authorised repair agent by contacting your local Black & Decker office at the address indicated in this manual. Alternatively, a list of authorised Black & Decker repair agents and full details of our after-sales service and contacts are available on the Internet at: **www.2helpU.com**

Please visit our website **www.blackanddecker.co.uk** to register your new Black & Decker product and to be kept up to date on new products and special offers. Further information on the Black & Decker brand and our range of products is available at **www.blackanddecker.co.uk**

## Bestimmungsgemäße Verwendung

Ihre Black & Decker Stichsäge wurde zum Sägen von Holz, Kunststoff und Blech entwickelt. Dieses Gerät ist nicht für den gewerblichen Einsatz vorgesehen.

## Allgemeine Sicherheitsregeln

**Achtung!** Sämtliche Anweisungen sind zu lesen. Die Nicht-einhaltung der nachstehend aufgeführten Anweisungen kann elektrischen Schlag, Brand und/oder schwere Verletzungen verursachen. Der nachfolgend verwendete Begriff "Gerät" bezieht sich auf netzbetriebene Geräte (mit Netzkabel) und auf akkubetriebene Geräte (ohne Netzkabel). BEWAHREN SIE DIESE ANWEISUNGEN AUF.

1. **Arbeitsbereich**
  - a. **Halten Sie Ihren Arbeitsbereich sauber und gut ausgeleuchtet.** Unordnung und dunkle Arbeitsbereiche können zu Unfällen führen.
  - b. **Arbeiten Sie mit Geräten nicht in explosionsgefährdeter Umgebung, in der sich brennbare Flüssigkeiten, Gase oder Stäube befinden.** Geräte erzeugen Funken, die den Staub oder die Dämpfe entzünden können.
  - c. **Halten Sie Kinder und andere Personen während der Benutzung des Gerätes fern.** Bei Ablenkung können Sie die Kontrolle verlieren.
2. **Elektrische Sicherheit**
  - a. **Der Anschlußstecker des Gerätes muß in die Steckdose passen. Der Stecker darf in keiner Weise verändert werden. Verwenden Sie keine Adapterstecker gemeinsam mit schutzgeerdeten Geräten.** Unveränderte Stecker und passende Steckdosen verringern das Risiko eines elektrischen Schlages.
  - b. **Vermeiden Sie Körperkontakt mit geerdeten Oberflächen von Rohren, Heizungen, Herden und Kühlschränken.** Es besteht ein erhöhtes Risiko eines elektrischen Schlags, wenn Ihr Körper geerdet ist.
  - c. **Halten Sie Geräte von Regen und Nässe fern.** Das Eindringen von Wasser in ein Gerät erhöht das Risiko eines elektrischen Schlages.
  - d. **Missbrauchen Sie nicht das Kabel. Verwenden Sie das Kabel niemals zum Tragen, Ziehen oder Trennen des Gerätes vom Netz. Halten Sie das Kabel fern von Hitze, Öl, scharfen Kanten oder sich bewegenden Teilen.** Beschädigte oder verwickelte Kabel erhöhen das Risiko eines elektrischen Schlages.
  - e. **Wenn Sie mit einem Gerät im Freien arbeiten, verwenden Sie nur Verlängerungskabel, die auch für den Außenbereich zugelassen sind.** Die Verwendung eines für den Außenbereich geeigneten Verlängerungskabels verringert das Risiko eines elektrischen Schlages.
3. **Sicherheit von Personen**
  - a. **Seien Sie aufmerksam, achten Sie darauf, was Sie tun, und gehen Sie vernünftig mit einem Gerät um. Benutzen Sie das Gerät nicht, wenn Sie müde sind oder unter dem Einfluß von Drogen, Alkohol oder Medikamenten stehen.** Ein Moment der Unachtsamkeit beim Gebrauch von Geräten kann zu ernsthaften Verletzungen führen.
  - b. **Verwenden Sie Schutzausrüstung. Tragen Sie stets einen Augenschutz.** Schutzausrüstung wie Staubmaske, rutschfeste Sicherheitsschuhe, Schutzhelm oder Gehörschutz, je nach Art und Einsatz des Gerätes, verringert das Risiko von Verletzungen.
  - c. **Vermeiden Sie eine unbeabsichtigte Inbetriebnahme. Stellen Sie sicher, daß sich der Schalter in der Aus-Stellung befindet, bevor das Gerät mit dem Netz verbunden wird.** Durch das Tragen des Gerätes mit dem Finger am Schalter oder durch das Verbinden eingeschalteter Geräte werden Unfälle provoziert.
  - d. **Entfernen Sie Einstellgeräte oder Schraubenschlüssel, bevor Sie das Gerät einschalten.** Ein Gerät oder Schlüssel, der sich in einem drehenden Teil befindet, kann zu Verletzungen führen.
  - e. **Nicht zu weit nach vorne strecken! Achten Sie auf einen sicheren Stand, um in jeder Arbeitsposition das Gleichgewicht zu halten.** Dadurch können Sie das Gerät in unerwarteten Situationen besser unter Kontrolle halten.
  - f. **Tragen Sie geeignete Kleidung. Tragen Sie keine weite Kleidung oder Schmuck. Halten Sie Haare, Kleidung und Handschuhe fern von sich bewegenden Teilen.** Lockere Kleidung, Schmuck oder lange Haare können von sich bewegenden Teilen erfaßt werden.
  - g. **Falls Staubabsaug- und -fangvorrichtungen vorhanden sind, vergewissern Sie sich, daß diese angeschlossen sind und richtig verwendet werden.** Das Verwenden dieser



Einrichtungen verringert Gefährdungen durch Staub.

## 4. Gebrauch und Pflege von Geräten

- a. **Überlasten Sie das Gerät nicht. Verwenden Sie für Ihre Arbeit das dafür bestimmte Gerät.** Mit dem passenden Gerät arbeiten Sie besser und sicherer im angegebenen Leistungsbereich.
- b. **Benutzen Sie kein Gerät, dessen Schalter defekt ist.** Ein Gerät, das sich nicht mehr ein- oder ausschalten läßt, ist gefährlich und muß repariert werden.
- c. **Ziehen Sie den Stecker aus der Steckdose, bevor Sie Einstellungen vornehmen, Zubehörteile wechseln oder das Gerät weglegen.** Diese Vorsichtsmaßnahme verhindert den unbeabsichtigten Start des Gerätes.
- d. **Bewahren Sie unbenutzte Geräte außerhalb der Reichweite von Kindern auf. Lassen Sie Geräte nicht von Personen benutzen, die damit nicht vertraut sind oder diese Anweisungen nicht gelesen haben.** Geräte sind gefährlich, wenn Sie von unerfahrenen Personen benutzt werden.
- e. **Halten Sie Geräte in einem einwandfreien Zustand. Kontrollieren Sie, ob bewegliche Teile falsch ausgerichtet sind oder klemmen und ob Teile gebrochen oder so beschädigt sind, daß die Funktion des Gerätes beeinträchtigt ist. Lassen Sie beschädigte Geräte vor dem Gebrauch reparieren.** Viele Unfälle haben ihre Ursache in schlecht gewarteten Geräten.
- f. **Halten Sie Schneidgeräte scharf und sauber.** Sorgfältig gepflegte Schneidgeräte mit scharfen Schneidkanten verkleben sich weniger und sind leichter zu führen.
- g. **Verwenden Sie Gerät, Zubehör, Einsatz-Bits, usw. entsprechend diesen Anweisungen und so, wie es für diesen speziellen Gerätetyp vorgeschrieben ist. Berücksichtigen Sie dabei die Arbeitsbedingungen und die auszuführende Arbeit.** Der Gebrauch von Geräten für andere als die vorgesehenen Anwendungen kann zu gefährlichen Situationen führen.

## 5. Service

- a. **Lassen Sie Ihr Gerät nur von qualifiziertem Fachpersonal und nur mit Original-Ersatzteilen reparieren.** Damit wird

gewährleistet, daß die Sicherheit des Gerätes erhalten bleibt.

## Elektrische Sicherheit



Dieses Gerät ist schutzisoliert, daher ist keine Erdleitung erforderlich. Überprüfen Sie immer, ob die Netzspannung der auf dem Typenschild des Geräts angegebenen Spannung entspricht.

## Zusätzliche Sicherheitshinweise für Stichsäge

- **Achtung!** Ein Kontakt mit Stäuben oder das Einatmen von Stäuben, die durch den Sägeinsatz entstehen, kann die Gesundheit des Bedieners und eventueller anderer Personen in der Nähe des Geräts gefährden. Tragen Sie zum Schutz vor Stäuben und Dämpfen eine Staubmaske, und stellen Sie sicher, daß auch andere Personen geschützt sind, die den Arbeitsplatz betreten oder sich darin aufhalten.

## Merkmale

Dieses Gerät weist einige oder alle der folgenden Merkmale auf.

1. Ein-/Aus-Schalter
2. Ausschaltsperr
3. Geschwindigkeitsvorwahlknopf
4. Turbo-Wahlschalter
5. Einspannhebel für Sägeblatt
6. Stützrolle für Sägeblatt
7. Sägeblatt
8. Sägeschuhplatte
9. Sicherungsknopf für Sägeschuhplatte
10. Aufbewahrungsfach für Sägeblatt
11. Staubsauger-Adapter

## Zusammenbau

**Achtung!** Bevor Sie folgende Schritte durchführen, stellen Sie sicher, daß das Gerät ausgeschaltet und vom Netz getrennt ist und daß das Sägeblatt stehengeblieben ist. Gerade verwendete Sägeblätter können heiß sein.

## Anbringen des Sägeblatts (Abb. A)

- Halten Sie das Sägeblatt (7) wie angegeben mit den Zähnen nach vorne weisend.
- Drücken Sie den Hebel (5) nach unten.
- Setzen Sie den Schaft des Sägeblatts bis zum Anschlag in den Sägeblatthalter (12) ein.
- Lassen Sie den Hebel los.



### Anschluß eines Staubsaugers am Gerät (Abb. B & C)

- Richten Sie den Staubsauger-Adapter (11) wie angegeben mit dem Sägeschuh aus.
- Führen Sie die Rippen (14) in die Schlitze (15) ein.
- Drehen Sie den Adapter, bis er in seiner Lage einrastet. Stellen Sie sicher, daß die Rippen (16) richtig sitzen.
- Verbinden Sie den Staubsaugerschlauch (13) (nicht im Lieferumfang enthalten) mit dem Adapter.

Bei Gehrungsschnitten ist eine Staubabsaugung nicht möglich.

### Gebrauch

**Achtung!** Verwenden Sie das Werkzeug niemals, wenn der Sägeschuh locker oder nicht angebracht ist.

### Einstellen der Sägeschuhplatte für Gehrungsschnitte (Abb. D)

Die Sägeschuhplatte kann auf einen Links- oder Rechtswinkel von bis zu 45° eingestellt werden.

- Drehen Sie den Sicherungsknopf (9) in Richtung A, um die Sägeschuhplatte (8) zu lösen.
- Ziehen Sie die Sägeschuhplatte (8) zurück, und stellen Sie sie auf den erforderlichen Winkel ein. Zur Überprüfung des Winkels können Sie die Skala oder einen Winkelmesser verwenden.
- Drehen Sie den Sicherungsknopf (9) in Richtung B, um die Sägeschuhplatte in ihrer Lage zu sichern.

Um die Sägeschuhplatte wieder für gerade Schnitte einzustellen:

- Drehen Sie den Sicherungsknopf (9) in Richtung A, um die Sägeschuhplatte (8) zu lösen.
- Ziehen Sie die Sägeschuhplatte nach hinten, und stellen Sie sie auf einen Winkel von ca. 0° ein.
- Schieben Sie die Sägeschuhplatte nach vorn.
- Drehen Sie den Sicherungsknopf (9) in Richtung B, um die Sägeschuhplatte in ihrer Lage zu sichern. Stellen Sie sicher, daß die Sägeschuhplatte von den Führungsrippen gestützt wird.

### Geschwindigkeitsvorwahl

- Stellen Sie den Geschwindigkeitsvorwahlknopf (3) auf die gewünschte Drehzahl ein. Verwenden Sie für Holz eine hohe

Geschwindigkeit, für Aluminium und PVC eine mittlere Geschwindigkeit und für Nicht-Aluminium-Metalle eine niedrige Geschwindigkeit.

### Turbo-Wahlschalter

- Stellen Sie den Turbo-Wahlschalter (4) für schnelle und effiziente gerade Schnitte in Holz auf "max".
- Stellen Sie den Turbo-Wahlschalter (4) für akkurate gerade Schnitte sowie für Kurvenschnitte und glatte Oberflächen auf "min".

### Ein- und Ausschalten

- Um das Gerät einzuschalten, drücken Sie auf den Ein-/Ausschalter (1).
- Drücken Sie für Dauerbetrieb auf die Ausschaltsperrle (2). Sie können nun den Ein-/Ausschalter loslassen.
- Um das Gerät auszuschalten, lassen Sie den Ein-/Ausschalter los. Ausschalten im Dauerbetrieb: drücken Sie den Ein-/Ausschalter erneut und lassen Sie ihn wieder los.

### Verwendung der SightLine™-Funktion (Abb. E)

- Zeichnen Sie die Schnittlinie mit einem Bleistift an.
- Setzen Sie die Stichsäge auf die Linie (17).

Schaut man nun von oben direkt auf die Stichsäge, so kann der Schnittlinie leicht gefolgt werden. Sollte diese Sicht aus irgendeinem Grund versperrt sein, so kann als Alternative die Aussparung (18) als Schnittführung verwendet werden.

### Ratschläge für einen optimalen Gebrauch

#### Sägen von Laminat

Da die Säge den eigentlichen Schnitt beim Aufwärtshub durchführt, kann die Oberfläche, die sich an der Sägeschuhplatte befindet, splintern.

- Verwenden Sie ein Sägeblatt mit feinen Zähnen.
- Sägen Sie von der Rückseite des Werkstücks ausgehend.
- Um ein Splintern möglichst gering zu halten, spannen Sie einen Holzrest oder eine Harfaserplatte auf beide Seiten des Werkstücks und sägen Sie durch diesen "Sandwich".

#### Sägen von Metall

- Seien Sie sich darüber im klaren, daß beim Sägen von Metall sehr viel mehr Zeit als beim Sägen von Holz benötigt wird.

- Verwenden Sie ein für das Sägen von Metall geeignetes Sägeblatt.
- Beim Sägen von dünnem Blech spannen Sie einen Holzrest auf die hintere Fläche des Werkstücks, und schneiden Sie durch diesen "Sandwich".
- Verteilen Sie einen Ölfilm auf der Schnittlinie.

## Zubehör

Die Leistung Ihres Geräts hängt vom verwendeten Zubehör ab. Black & Decker und Piranha Zubehör ist nach hohen Qualitätsnormen gefertigt und dafür ausgelegt, die Leistung Ihres Geräts zu steigern. Durch Verwendung dieses Zubehörs erzielen Sie die größtmögliche Leistung Ihres Geräts.

Dieses Werkzeug ist sowohl für Sägeblätter mit U-Schaft als auch mit T-Schaft geeignet.

## Wartung

Ihr Gerät wurde im Hinblick auf eine lange Lebensdauer und einen möglichst geringen Wartungsaufwand entwickelt.

Ein dauerhafter, einwandfreier Betrieb setzt eine regelmäßige Reinigung voraus.

- Reinigen Sie die Lüftungsschlitze regelmäßig mit einem sauberen, trockenen Farbpinzel.
- Verwenden Sie zur Reinigung des Werkzeugs nur milde Seifenlösung und ein feuchtes Tuch. Lassen Sie niemals Flüssigkeiten in das Werkzeug gelangen, und tauchen Sie niemals Teile des Werkzeugs in Flüssigkeit ein.
- Versehen Sie die Achse der Stützrolle für das Sägeblatt gelegentlich mit einem Tropfen Öl.

## Umweltschutz



Getrennte Entsorgung. Dieses Produkt darf nicht über den normalen Hausmüll entsorgt werden.

Sollte Ihr Black & Decker Produkt eines Tages erneuert werden müssen, oder falls Sie es nicht weiter verwenden wollen, so darf es nicht über den Hausmüll entsorgt werden. Stellen Sie dieses Produkt zur getrennten Entsorgung bereit.



Durch die getrennte Entsorgung gebrauchter Produkte und Verpackungen können die Materialien recycelt und wiederverwertet werden. Die Wiederverwertung recycelter Materialien schont die Umwelt und verringert die Nachfrage nach Rohstoffen.

Die regionalen Bestimmungen schreiben unter Umständen die getrennte Entsorgung elektrischer Produkte aus dem Haushalt an Sammelstellen oder seitens des Händlers vor, bei dem Sie das neue Produkt erworben haben.

Black & Decker nimmt Ihre ausgedienten Black & Decker Geräte gern zurück und sorgt für eine umweltfreundliche Entsorgung und Wiederverwertung. Um diesen Dienst zu nutzen, schicken Sie bitte Ihr Produkt zu einer Vertragswerkstatt. Hier wird es dann auf unsere Kosten gesammelt.

Die Adresse der zuständigen Black & Decker Vertretung steht in diesem Handbuch, darüber läßt sich die nächstgelegene Vertragswerkstatt ermitteln. Außerdem ist eine Liste der Vertragswerkstätten und aller Kundendienststellen von Black & Decker sowie der zuständigen Ansprechpartner im Internet zu finden unter:

[www.2helpU.com](http://www.2helpU.com)

## Technische Daten

	KS999E
Leistungsaufnahme	W 600
Hubzahl (im Leerlauf)	min <sup>-1</sup> 800 - 3.200
Maximale Schnitttiefe	
Holz	mm 65
Stahl	mm 4
Aluminium	mm 10

## EG-Konformitätserklärung

KS999E

Black & Decker erklärt, daß diese Produkte folgende Konformität erfüllen: 98/37/EWG, 89/336/EWG, EN 60745, EN 55014, EN 61000

$L_{pA}$  (Schalldruck) 86 dB(A),  $L_{WA}$  (Schalleistung) 97 dB(A), gewichtete Hand-/Armvibrationen < 7,3 m/s<sup>2</sup>

$K_{pA}$  (Schalldruck-Unsicherheitsfaktor): 3 dB(A),  
 $K_{WA}$  (Schalleistungs-Unsicherheitsfaktor) 3 dB(A)

Kevin Hewitt  
 Director of Consumer  
 Engineering

Spennymoor, County Durham DL16 6JG,  
 Vereinigtes Königreich  
 1-6-2004

## Garantie

Black & Decker vertraut auf die Qualität der eigenen Geräte und bietet dem Käufer eine außergewöhnliche Garantie. Diese Garantiezusage versteht sich unbeschadet der gesetzlichen Gewährleistungsansprüche und schränkt diese keinesfalls ein. Sie gilt in sämtlichen Mitgliedsstaaten der Europäischen Union und der Europäischen Freihandelszone EFTA.

Tritt innerhalb von 24 Monaten ab Kaufdatum an einem Gerät von Black & Decker ein auf Material- oder Verarbeitungsfehler zurückzuführender Mangel auf, garantiert Black & Decker den Austausch defekter Teile, die Reparatur von Geräten mit üblichem Verschleiß bzw. den Austausch eines mangelhaften Geräts, ohne den Kunden dabei mehr als unbedingt nötig in Anspruch zu nehmen, allerdings vorbehaltlich folgender Ausnahmen:

- wenn das Gerät gewerblich, beruflich oder im Verleihgeschäft benutzt wurde;
- wenn das Gerät mißbräuchlich verwendet oder mit mangelnder Sorgfalt behandelt wurde;
- wenn das Gerät durch irgendwelche Fremdeinwirkung beschädigt wurde;
- wenn ein unbefugter Reparaturversuch durch anderes Personal als das einer Vertragswerkstatt oder des Black & Decker-Kundendienstes unternommen wurde.

Zur Inanspruchnahme dieser Garantie ist dem Verkäufer bzw. der Vertragswerkstatt ein Kaufnachweis vorzulegen. Der Kaufnachweis muß Kaufdatum und Gerätetyp bescheinigen. Die Adresse des zuständigen Büros von Black & Decker steht in dieser Anleitung, darüber läßt sich die nächstgelegene Vertragswerkstatt ermitteln. Außerdem ist eine Liste der Vertragswerkstätten und aller Kundendienststellen von Black & Decker sowie der zuständigen Ansprechpartner im Internet zu finden unter: **[www.2helpU.com](http://www.2helpU.com)**

Bitte besuchen Sie unsere Webseite **[www.blackanddecker.de](http://www.blackanddecker.de)**, um Ihr neues Black & Decker Produkt zu registrieren und über neue Produkte und Sonderangebote aktuell informiert zu werden. Weitere Informationen über die Marke Black & Decker und unsere Produkte finden Sie unter **[www.blackanddecker.de](http://www.blackanddecker.de)**

## Utilisation prévue

Votre scie sauteuse Black & Decker a été spécialement conçue pour scier le bois, le plastique et le métal en feuillard. Cet outil a été conçu uniquement pour une utilisation domestique.

## Consignes générales de sécurité

**Attention !** Lisez toutes les instructions. Le non-respect des instructions indiquées ci-dessous peut entraîner une électrocution, un incendie ou de graves blessures. La notion d'«outil électroportatif» mentionnée par la suite se rapporte à des outils électriques raccordés au secteur (avec câble de raccordement) ou fonctionnant sur batteries (sans fil).

**GARDEZ PRÉCIEUSEMENT CES CONSIGNES DE SECURITE.**

### 1. Zone de travail

- a. **Maintenez la zone de travail propre et bien éclairée.** Un lieu de travail en désordre ou mal éclairé augmente le risque d'accidents.
- b. **N'utilisez pas les outils électroportatifs dans un environnement présentant des risques d'explosion ni en présence de liquides, gaz ou poussières inflammables.** Les outils électroportatifs génèrent des étincelles risquant d'enflammer les poussières ou les vapeurs.
- c. **Tenez les enfants et autres personnes éloignés durant l'utilisation de l'outil électroportatif.** En cas d'inattention, vous risquez de perdre le contrôle sur l'outil.

### 2. Sécurité électrique

- a. **La fiche de secteur de l'outil électroportatif doit convenir à la prise de courant. Ne modifiez en aucun cas la fiche. N'utilisez pas de fiches d'adaptateur avec des outils ayant une prise de terre.** Les fiches non modifiées et les prises de courant appropriées réduisent le risque d'électrocution.
- b. **Évitez le contact physique avec des surfaces mises à la terre telles que tuyaux, radiateurs, fours et réfrigérateurs.** Il y a un risque élevé d'électrocution si votre corps est relié à la terre.
- c. **N'exposez pas l'outil électroportatif à la pluie ni à l'humidité.** La pénétration d'eau dans un outil électroportatif augmente le risque d'électrocution.
- d. **Préservez le câble d'alimentation. N'utilisez pas le câble à d'autres fins que celles**

**prévues, notamment pour porter l'outil, l'accrocher voire le débrancher de la prise de courant. Maintenez le câble éloigné des sources de chaleur, des parties grasses, des bords tranchants ou des parties de l'outil en rotation.** Un câble endommagé ou enchevêtré augmente le risque d'électrocution.

- e. **Si vous utilisez l'outil électroportatif à l'extérieur, utilisez une rallonge homologuée pour utilisation à l'air libre.** L'utilisation d'une rallonge électrique homologuée pour les applications extérieures réduit le risque d'électrocution.
- ### 3. Sécurité personnelle
- a. **Restez vigilant, surveillez ce que vous faites. Faites preuve de bon sens quand vous utilisez l'outil électroportatif. N'utilisez pas l'outil lorsque vous êtes fatigué ou après avoir consommé de l'alcool, des drogues ou avoir pris des médicaments.** Un moment d'inattention lors de l'utilisation de l'outil peut entraîner de graves blessures.
  - b. **Portez des équipements de protection. Portez toujours des lunettes de protection.** Le port d'équipements de protection personnelle tels que masque anti-poussières, chaussures de sécurité antidérapantes, casque ou protection auditive, selon le travail à effectuer, réduit le risque de blessures.
  - c. **Évitez une mise en route accidentelle. Avant de brancher l'outil, vérifiez que l'interrupteur est sur la position arrêt.** Le transport ou le branchement d'outils électroportatifs avec l'interrupteur en position marche est une invite à l'accident.
  - d. **Enlevez tout outil ou clé de réglage avant de mettre l'outil en marche.** Une clé ou un outil se trouvant sur une partie en rotation peut causer des blessures.
  - e. **Ne surestimez pas vos capacités. Conservez en permanence votre équilibre et les deux pieds à terre.** Vous contrôlerez mieux l'outil dans des situations inattendues.
  - f. **Portez des vêtements appropriés. Ne portez pas de vêtements amples ni de bijoux. N'approchez pas les cheveux, vêtements ou gants des parties de l'outil en rotation.** Les vêtements amples, les bijoux ou les cheveux longs peuvent être attrapés dans les pièces en mouvement.
  - g. **Si des dispositifs servant à aspirer ou à recueillir les poussières doivent être**

utilisés, vérifiez qu'ils sont correctement raccordés et utilisés. L'utilisation de tels dispositifs réduit les dangers dus aux poussières.

#### 4. Utilisation des outils électroportatifs et précautions

- a. **Ne surchargez pas l'outil. Utilisez l'outil électroportatif approprié pour le travail à effectuer.** Avec l'outil électroportatif approprié, vous travaillerez mieux et avec plus de sécurité à la vitesse pour laquelle il a été conçu.
- b. **N'utilisez pas un outil électroportatif dont l'interrupteur est défectueux.** Un outil électroportatif qui ne peut plus être mis en ou hors fonctionnement est dangereux et doit être réparé.
- c. **Retirez la fiche de la prise de courant avant d'effectuer des réglages sur l'outil, de changer les accessoires ou de ranger l'outil.** Cette mesure de précaution empêche une mise en marche par mégarde.
- d. **Rangez les outils électroportatifs hors de portée des enfants. Ne laissez pas les personnes n'étant pas familiarisées avec l'outil ou n'ayant pas lu ces instructions l'utiliser.** Les outils électroportatifs sont dangereux lorsqu'ils sont utilisés par des personnes non initiées.
- e. **Prenez soin des outils électroportatifs. Vérifiez que les parties en mouvement fonctionnent correctement et qu'elles ne sont pas coincées ; vérifiez qu'il n'y a pas de pièces cassées ou endommagées susceptibles de nuire au bon fonctionnement de l'outil. S'il est endommagé, faites réparer l'outil avant de l'utiliser.** De nombreux accidents sont dus à des outils électroportatifs mal entretenus.
- f. **Maintenez les outils de coupe aiguisés et propres.** Des outils soigneusement entretenus avec des bords tranchants bien aiguisés se coincent moins souvent et peuvent être guidés plus facilement.
- g. **Utilisez les outils électroportatifs, les accessoires, les outils à monter etc. conformément à ces instructions et aux prescriptions en vigueur pour ce type d'outils. Tenez compte également des conditions de travail et du travail à effectuer.** L'utilisation des outils électroportatifs à d'autres fins que celles prévues peut entraîner des situations dangereuses.

#### 5. Réparations

- a. **Faites réparer votre outil électroportatif uniquement par du personnel qualifié et seulement avec des pièces de rechange d'origine.** Cela garantira le maintien de la sécurité de votre outil.

#### Sécurité électrique



L'outil est doublement isolé ; par conséquent, aucun câble de masse n'est nécessaire. Vérifiez si le voltage mentionné sur la plaque signalétique correspond bien à la tension de réseau sur site.

#### Instructions de sécurité supplémentaires pour scies sauteuses

- **Attention !** L'inhalation ou le contact avec des poussières de sciure peuvent mettre en péril la santé de l'utilisateur et des personnes à proximité. Portez un masque contre la poussière spécialement conçu pour vous protéger des sciures et des fumées toxiques et veillez à ce que les personnes se trouvant à l'intérieur de la zone de travail ou y pénétrant soient également protégées.

#### Caractéristiques

Cet outil comprend toutes ou certaines des caractéristiques suivantes.

1. Interrupteur marche/arrêt
2. Bouton de verrouillage
3. Variateur de vitesse
4. Turbo-sélecteur
5. Levier de blocage de la lame
6. Galet de support de la lame
7. Lame de scie sauteuse
8. Patin
9. Bouton de verrouillage du patin
10. Compartiment de rangement des lames
11. Adaptateur d'extraction de poussière

#### Montage

**Attention !** Avant d'effectuer l'une des opérations suivantes, assurez-vous que l'outil est bien éteint et débranché et que la lame a cessé de tourner. Les lames peuvent être chaudes.

#### Montage de la lame (fig. A)

- Tenez la lame (7) comme illustré, dents vers le haut.
- Poussez le levier (5) vers le bas.
- Enfoncez queue de la lame dans le support de lame (12) aussi loin que possible.
- Relâchez le levier.

## Branchement d'un aspirateur sur l'outil (fig. B & C)

- Attachez l'adaptateur d'extraction de poussière (11) avec le patin comme montré.
- Insérez les ailettes (14) dans les fentes (15).
- Tournez l'adaptateur jusqu'à ce qu'il se bloque. Vérifiez que les ailettes (16) sont bien en place.
- Raccordez le tuyau de l'aspirateur (13) (non fourni) à l'adaptateur.

L'extraction de poussière n'est pas possible quand vous faites des coupes de biais.

## Utilisation

**Attention !** N'utilisez jamais l'outil quand le patin est desserré ou démonté.

## Réglage du patin pour les coupes de biais (fig. D)

Le patin peut être réglé à un angle de biais de 45° maximum à gauche ou à droite.

- Tournez le bouton de verrouillage (9) dans le sens A pour déverrouiller le patin (8).
- Enfoncez le patin (8) vers l'arrière et placez-le à l'angle souhaité. Vous pouvez utiliser l'échelle graduée ou une clé de serrage angulaire pour vérifier l'angle.
- Tournez le bouton de verrouillage (9) dans le sens B pour verrouiller le patin.

Pour replacer le patin en position de coupes droites :

- Tournez le bouton de verrouillage (9) dans le sens A pour déverrouiller le patin (8).
- Enfoncez le patin vers l'arrière et placez-le à un angle d'environ 0°.
- Poussez le patin vers l'avant.
- Tournez le bouton de verrouillage (9) dans le sens B pour verrouiller le patin. Vérifiez que le patin est supporté par les ailettes de guidage.

## Variateur de vitesse

- Ajustez la vitesse souhaitée à l'aide du bouton de commande (3). Choisissez une vitesse élevée pour le bois, une vitesse moyenne pour l'aluminium et le PVC et une vitesse faible pour les métaux autres que l'aluminium.

## Turbo-sélecteur

- Pour réaliser des coupes droites rapidement et efficacement dans le bois, réglez le turbo-sélecteur (4) sur "max".
- Pour obtenir des coupes droites et courbées précises et une finition de surface lisse, réglez le turbo-sélecteur (4) sur "min".

## Mise en marche et arrêt

- Pour allumer l'outil, appuyez sur l'interrupteur marche/arrêt (1).
- Pour un fonctionnement en continu, appuyez sur le bouton de verrouillage (2) et relâchez l'interrupteur marche/arrêt.
- Pour éteindre l'outil, relâchez l'interrupteur marche/arrêt. Pour éteindre l'outil lorsqu'il est en fonctionnement continu, appuyez sur l'interrupteur marche/arrêt une fois de plus et relâchez-le.

## Utilisation de la fonction SightLine™ (fig. E)

- Marquez la ligne de coupe au crayon.
- Placez la scie sauteuse sur la ligne (17).

En regardant droit au-dessus de la scie sauteuse, il est facile de suivre la ligne de coupe. Si pour une raison quelconque, la ligne se voyait mal, le renforcement (18) peut être utilisé comme guide de coupe.

## Conseils pour une utilisation optimale

Comment scier du contreplaqué.

Étant donné que la lame de scie découpe en course ascendante, la pièce à travailler peut éclater sur la surface proche du patin.

- Utilisez une lame de scie à dents fines.
- Sciez sur l'envers de la pièce.
- Pour des coupes nettes, fixez une chute de bois ou une planche au-dessus et en dessous de la pièce et coupez au travers de cette superposition.

Scier du métal

- Souvenez-vous qu'il est beaucoup plus long de scier des métaux que de scier du bois.
- Utilisez une lame de scie adaptée pour scier le métal.
- Pour couper des feuillards de métal fins, fixez une chute de bois sur l'envers de la pièce et découpez à travers cette superposition.
- Répandez une fine couche d'huile le long de la ligne de coupe avant de scier.

## Accessoires

Les performances de votre outil dépendent de l'accessoire que vous utilisez. Les accessoires Black & Decker et Piranha sont conçus selon les normes de haute qualité pour améliorer les performances de votre outil. En utilisant ces accessoires, vous obtiendrez les meilleurs résultats de votre outil.


Cet outil convient aux lames de scies à queue en U et en T.

## Maintenance

Votre outil a été conçu pour fonctionner longtemps avec un minimum d'entretien. Son fonctionnement continu et satisfaisant dépend d'un nettoyage régulier et d'un entretien approprié de l'outil.

- Nettoyez régulièrement les fentes de ventilation à l'aide d'un pinceau propre et sec.
- Pour nettoyer l'outil, n'utilisez qu'un détergent doux et un chiffon humide. Aucun liquide ne doit pénétrer dans l'outil. N'immergez jamais aucune pièce de l'outil dans un liquide.
- Appliquez de temps en temps une goutte d'huile sur l'axe du galet de support de lame.

## Protection de l'environnement

 Collecte séparée. Ce produit ne doit pas être jeté avec les déchets domestiques normaux.

Si vous décidez de remplacer ce produit Black & Decker, ou si vous n'en avez plus l'utilité, ne le jetez pas avec vos déchets domestiques. Rendez-le disponible pour une collecte séparée.



La collecte séparée des produits et emballages usés permet le recyclage des articles afin de les utiliser à nouveau. Le fait d'utiliser à nouveau des produits recyclés permet d'éviter la pollution environnementale et de réduire la demande de matières premières.

Les réglementations locales peuvent permettre la collecte séparée des produits électriques du foyer, dans des déchetteries municipales ou auprès du revendeur vous ayant vendu votre nouveau produit.

Black & Decker fournit un dispositif permettant de collecter et de recycler les produits Black & Decker lorsqu'ils ont atteint la fin de leur cycle de vie. Pour pouvoir profiter de ce service, veuillez retourner votre produit à un réparateur agréé qui se chargera de le collecter pour nous.

Pour connaître l'adresse du réparateur agréé le plus proche de chez vous, contactez le bureau Black & Decker à l'adresse indiquée dans ce manuel. Vous pourrez aussi trouver une liste des réparateurs agréés de Black & Decker et de plus amples détails sur notre service après-vente sur le site Internet à l'adresse suivante :

[www.2helpU.com](http://www.2helpU.com)

## Caractéristiques techniques

KS999E	
Puissance absorbée	W 600
Nombre de courses (sans charge)	min <sup>-1</sup> 800 - 3.200
Profondeur max. de coupe	
Bois	mm 65
Acier	mm 4
Aluminium	mm 10

## Déclaration de conformité CE

KS999E

Black & Decker déclare que ces produits sont conformes à : 98/37/CEE, 89/336/CEE, EN 60745, EN 55014, EN 61000

$L_{pA}$  (pression sonore) 86 dB(A),  $L_{WA}$  (puissance acoustique) 97 dB(A), poids de la vibration sur la main/bras < 7,3 m/s<sup>2</sup>

$K_{pA}$  (incertitude de la pression acoustique) : 3 dB(A),  $K_{WA}$  (incertitude de la puissance acoustique) 3 dB(A)

Kevin Hewitt  
Directeur Ingénierie Client  
Spennymoor, County Durham  
DL16 6JG, Royaume Uni  
1-6-2004

## Garantie

Black & Decker est confiant dans la qualité de ses produits et vous offre une garantie très étendue. Ce certificat de garantie est un document supplémentaire et ne peut en aucun cas se substituer à vos droits légaux. La garantie est valable sur tout le territoire des Etats Membres de l'Union Européenne et de la Zone de Libre Echange Européenne.

Si un produit Black & Decker s'avère défectueux en raison de matériaux en mauvaises conditions, d'une erreur humaine, ou d'un manque de conformité dans les 24 mois suivant la date d'achat, Black & Decker garantit le remplacement des pièces défectueuses, la réparation des produits usés ou cassés ou remplace ces produits à la convenance du client, sauf dans les circonstances suivantes :

- Le produit a été utilisé dans un but commercial, professionnel, ou a été loué.
- Le produit a été mal utilisé ou avec négligence.
- Le produit a subi des dommages à cause d'objets étrangers, de substances ou à cause d'accidents.



- Des réparations ont été tentées par des techniciens ne faisant pas partie du service technique de Black & Decker.

Pour avoir recours à la garantie, il est nécessaire de fournir une preuve d'achat au vendeur ou à un réparateur agréé. Pour connaître l'adresse du réparateur agréé le plus proche de chez vous, contactez le bureau Black & Decker à l'adresse indiquée dans ce manuel. Vous pourrez aussi trouver une liste des réparateurs agréés de Black & Decker et de plus amples détails sur notre service après-vente sur le site Internet à l'adresse suivante : **[www.2helpU.com](http://www.2helpU.com)**

Visitez notre site Web

**[www.blackanddecker.fr](http://www.blackanddecker.fr)** pour enregistrer votre nouveau produit Black & Decker et être informé des nouveaux produits et des offres spéciales. Pour plus d'informations concernant la marque Black & Decker et notre gamme de produits, consultez notre site **[www.blackanddecker.fr](http://www.blackanddecker.fr)**

## Použití výrobku

Vaše přímočará pila Black & Decker je určena pro řezání dřeva, plastů a plechů. Tento výrobek je určen pouze pro spotřebitelské použití.

## Bezpečnostní předpisy

**Varování!** Přečtěte si veškeré pokyny. Nedodržení níže uvedených pokynů může mít za následek úraz elektrickým proudem, vznik požáru anebo vážné poranění. Označení "výkonné nářadí" ve všech níže uvedených upozorněních odkazuje na vaše nářadí napájené ze sítě (obsahuje napájecí přívodní šňůru) nebo nářadí napájené bateriemi (bez napájecího kabelu).

TYTO POKYNY USCHOVEJTE.

### 1. Pracovní prostor

- Udržujte pracovní prostor v čistotě a dobře osvětlený.** Nepořádek na pracovním stole a nedostatek světla v jeho okolí může vést ke způsobení nehody.
- Neppracujte s elektrickým nářadím v prostředí s výbušnou atmosférou, jako jsou prostředí s hořlavými kapalinami, plyny nebo s výbušným prachem.** Nářadí je zdrojem jiskření, které může zapálit prach nebo výpary.
- Při práci s výkonným nářadím držte děti a okolní osoby z jeho dosahu.** Rozptylování může způsobit ztrátu kontroly nad nářadím.

### 2. Elektrická bezpečnost

- Zástrčka napájecího kabelu nářadí musí odpovídat zásuvce. Nikdy jakýmkoliv způsobem zástrčku neupravujte. Při práci s uzemněným elektrickým nářadím nikdy nepoužívejte zástrčkové adaptéry.** Neupravované zástrčky a odpovídající zásuvky snižují riziko vzniku úrazu elektrickým proudem.
- Nedotýkejte se uzemněných povrchů, jako jsou například potrubí, radiátory, elektrické sporáky a chladničky.** Při uzemnění Vašeho těla vzrůstá riziko úrazu elektrickým proudem.
- Nářadí nevystavujte dešti ani vlhkému prostředí.** Pokud do nářadí vnikne voda, zvýší se riziko úrazu elektrickým proudem.
- S napájecím kabelem zacházejte opatrně. Nepoužívejte přívodní kabel k přenášení nářadí, tahání nebo vytažování zástrčky ze zásuvky. Přívodní kabel držte z dosahu tepelných zdrojů, oleje, ostrých hran a pohyblivých dílů.** Poškozený nebo zapletený napájecí kabel zvyšuje riziko vzniku úrazu elektrickým proudem.

- Při práci s nářadím venku používejte prodlužovací kabely určené pro venkovní použití.** Použití kabelu pro venkovní použití snižuje riziko úrazu elektrickým proudem.

### 3. Bezpečnost osob

- Při použití výkonného nářadí zůstaňte pozorní, stále sledujte, co provádíte. Pracujte s rozvahou. S nářadím nepracujte pokud jste unavení nebo pokud jste pod vlivem omamných látek, alkoholu nebo léků.** Chvilková nepozornost při práci s tímto nářadím může přivodit vážné zranění.
  - Používejte bezpečnostní výbavu. Vždy používejte ochranu zraku.** Bezpečnostní vybavení jako jsou respirátor, neklouzavá bezpečnostní obuv, pevná přilba nebo ochrana sluchu, použité v odpovídajících podmínkách, snižují riziko vzniku úrazu.
  - Zabraňte náhodnému spuštění. Předtím, než nářadí připojíte do elektrické zásuvky zabezpečte, aby byl hlavní vypínač ve vypnuté poloze.** Přenášení elektrického nářadí s prstem na hlavním spínači nebo připojení napájecího kabelu nářadí k síti, je-li hlavní spínač v poloze zapnuto zvyšuje riziko nehody.
  - Před spuštěním nářadí odkliďte z pracoviště seřizovací klíče.** Ponechané seřizovací klíče mohou být zachyceny rotujícími částmi nářadí a mohou způsobit úraz.
  - Nepřekázejte sami sobě. Při práci vždy udržujte vhodný a pevný postoj.** To umožňuje lepší ovladatelnost nářadí v neočekávaných situacích.
  - Vhodně se oblékejte. Nenoste volný oděv nebo šperky. Dbejte na to, aby se Vaše vlasy, oděv a rukavice dostaly do kontaktu s pohyblivými částmi.** Volný oděv, šperky nebo dlouhé vlasy mohou být pohyblivými díly zachyceny.
  - Pokud je zařízení vybaveno adaptérem pro připojení zařízení k zachytávání prachu, zajistěte jeho správné připojení a řádnou funkci.** Použití těchto zařízení může snížit nebezpečí týkající se prachu.
- ### 4. Použití výkonného nářadí a jeho údržba
- Netlačte příliš na nářadí.** Používejte správný typ nářadí pro vaši práci. Při použití správného typu nářadí bude práce provedena lépe a bezpečněji.

- b. Pokud nelze hlavní vypínač nářadí zapnout a vypnout, s nářadím nepracujte.** Jakékoliv nářadí s nefunkčním hlavním vypínačem je nebezpečné a musí být opraveno.
- c. Před seřizováním, výměnou příslušenství, nebo před uskladněním nářadí vytáhněte zástrčku přírodního kabelu ze zásuvky zdroje napájení.** Taková preventivní bezpečnostní opatření snižují riziko náhodného spuštění nářadí.
- d. Pokud nářadí nepoužíváte, uložte je mimo dosah dětí a zabraňte osobám neobeznámených s obsluhou nářadí nebo s tímto návodem, aby s nářadím pracovali.** Výkonné nářadí je v rukou nekvalifikované obsluhy nebezpečné.
- e. Údržba nářadí. Zkontrolujte, zda u nářadí nejsou vychýlené nebo rozpojené pohyblivé části, zlomené díly nebo jakékoliv jiné závady, které mohou mít vliv na jeho správný chod. Pokud je nářadí poškozeno, nechejte jej opravit.** Mnoho nehod bývá způsobeno zanedbanou údržbou nářadí.
- f. Řezné nástroje udržujte ostré a čisté.** Řádně udržované řezné nástroje s ostrými řeznými čepeli se méně zanášejí a lépe se ovládají.
- g. Nářadí, příslušenství a držáky nástrojů používejte podle těchto pokynů a způsobem určeným daným typem nářadí, berte v úvahu provozní podmínky a práci, kterou je nutné vykonat.** Použití nářadí k jiným účelům, než k jakým je určeno, může být nebezpečné.

## 5. Opravy

- a. Opravy by měly být prováděny kvalifikovanými servisními mechaniky s použitím originálních náhradních dílů.** Tím zajistíte bezpečný provoz nářadí.

## Elektrická bezpečnost



Toto nářadí je chráněno dvojitou izolací; proto není nutné použití zemního vodiče. Vždy zkontrolujte, zda zdroj napětí odpovídá napětí na výkonovém štítku.

## Další bezpečnostní pokyny týkající se přímočarých pil

- Varování!** Pobyt v prašném prostředí a vdechnutí prachu při řezání může ohrozit zdraví obsluhy nářadí a okolo stojících osob. Používejte masku proti prachu určenou speciálně na ochranu před toxickým prachem a podobnými zplodinami a zajistěte, aby byly

takto chráněny všechny osoby nacházející se nebo vstupující do pracovního prostoru.

## Popis

Toto nářadí je vybaveno některými nebo všemi následujícími prvky.

1. Hlavní spínač
2. Zajišťovací tlačítko
3. Regulátor plynule nastavitelných otáček
4. Volič režimu turbo
5. Blokovací páčka pilového listu
6. Vodičí kladka pilového listu
7. Pilový list
8. Patka pily
9. Blokovací knoflík patky pily
10. Úložný prostor na pilové listy
11. Adaptér pro odsávání prachu

## Montáž

**Varování!** Před prováděním jakékoliv z následujících operací se ujistěte, zda je nářadí vypnuto, zda je odpojen napájecí kabel od zásuvky a zda se již nepohybuje pilový list. Použité pilové listy mohou být horké.

### Montáž pilového listu (obr. A)

- Pilový list (7) ohcpte podle obrázku, ozubením směrem vpřed.
- Zatlačte páčku (5) dolů.
- Zasuňte upínací stopku pilového listu co nejdále do držáku pilového listu (12).
- Uvolněte páčku.

### Připojení vysavače k nářadí (obr. B & C)

- Adapter pro odsávání prachu (11) srovnajte s patkou pily podle obrázku.
- Výstupky (14) vložte do výřezů (15).
- Otáčejte adapterem tak, až bude ve své poloze zajištěn. Ujistěte se, zda jsou výstupky (16) řádně zasunuty.
- K adapteru připojte hubici vysavače (13) (není součástí dodávky).

Odsávání prachových nečistot není možné pokud provádíme kosé řezy.

## Použití

**Varování!** Nářadí nepoužívejte v případě, že je patka pily uvolněna nebo odmontována.

### Nastavení patky pily pro provádění šikmých řezů (obr. D)

Patku pily je možné naklonit vlevo či vpravo až o 45°.

- Blokovací knoflík patky pily (9) otočte ve směru A tak, aby byla patka pily (8) uvolněna.

- Vytáhněte patku pily (8) směrem vzad a natočte ji do požadovaného úhlu. Úhel je možné zkontrolovat pomocí stupnice nebo úhlooměru.
- Blokovací knoflík patky pily (9) otočte ve směru B tak, aby byla patka pily ve své poloze zajištěna.

Srovnání patky pily pro provádění rovných řezů:

- Blokovací knoflík patky pily (9) otočte ve směru A tak, aby byla patka pily (8) uvolněna.
- Vytáhněte patku pily směrem vzad a naklopte ji do úhlu přibližně 0°.
- Zatačte patku pily směrem vpřed.
- Blokovací knoflík patky pily (9) otočte ve směru B tak, aby byla patka pily ve své poloze zajištěna. Ujistěte se, zda je patka pily podepřena vodícími lištami.

### Regulace otáček

- Nastavte regulátor otáček (3) do polohy, která bude odpovídat požadovaným otáčkám. Vysokou rychlost používejte k řezání dřeva, střední rychlost k řezání hliníku a PVC a nízkou rychlost k řezání kovů mimo hliníku.

### Volič režimu turbo

- K rychlému a účinnému provádění řezů do dřeva nastavte volič režimu turbo (4) do polohy "max".
- K provedení přesných přímých a obloukových řezů a pro hladké zarovnávání povrchů nastavte volič režimu turbo (4) do polohy "min".

### Zapnutí a vypnutí

- Chcete-li nářadí zapnout, stiskněte hlavní spínač (1).
- Nepřetržitý chod zajistíte stisknutím zajišťovacího tlačítka (2) a uvolněním hlavního spínače.
- Chcete-li nářadí vypnout, uvolněte hlavní spínač. Chcete-li vypnout nářadí, které pracuje v režimu nepřetržitého chodu, stiskněte znovu hlavní spínač a uvolněte jej.

### Jak používat funkci SightLine™ (obr. E)

- Tužkou si vyznačte linii řezu.
- Pílu si umístěte nad vyznačenou linii (17).

Sledováním vyznačené linie přímo shora pily můžete snadno provést vlastní řez. Pokud by tomuto sledování bylo z jakéhokoliv důvodu zabráněno, je možné jako alternativu pro vedení řezu použít zoubkování (18).

### Rady k optimálnímu použití přístroje

#### Řezání vrstvených materiálů

Jelikož lišta pily zabírá při pohybu nahoru, mohou se na povrchu v blízkosti patky objevit piliny.

- Používejte pilový listy s jemnými zuby.
- Provádějte řez ze zadní strany obrobku.
- Chcete-li štípání materiálu minimalizovat, sevřete obrobek z obou stran pomocí kousků dřeva nebo sololitu a provádějte řez přes celou sestavu.

#### Řezání kovu

- Pamatujte si, že řezání kovu trvá mnohem déle než řezání dřeva.
- Používejte pilový list vhodný pro řezání kovu.
- Při řezání tenkých plechů připevněte ke spodní straně obrobku kousek dřeva a provádějte řez přes celou sestavu.
- Naneste na požadovanou čáru řezu olejový film.

### Příslušenství

Výkon Vašeho nářadí závisí na použitém příslušenství. Příslušenství Black & Decker a Piranha (vyjma Austrálie a Nového Zélandu) je zkonstruováno k vytvoření standardu vysoké kvality a je určeno ke zvýšení výkonnosti vašeho nářadí. Budete-li používat toto příslušenství, získáte s Vaším nářadím nejlepší pracovní výsledky.

V tomto nářadí je možné používat pilové násady jak tvaru U, tak i tvaru T.

### Údržba

Vaše nářadí bylo navrženo tak, aby mělo dlouhou životnost společně s minimálními nároky na údržbu. Předpokladem dlouhodobé bezproblémové funkce nářadí je jeho pravidelné čištění a péče.

- Větrací otvory čistěte pravidelně čistým, suchým malířským štětcem.
- K čištění nářadí používejte pouze mýdlový roztok a vlhký hadřík. Zabraňte vniknutí jakékoliv kapaliny do útrobu zařízení a nikdy neponořujte jakoukoliv část zařízení do kapaliny.
- Občas kápněte kapku oleje na osu vodící kladky pilového listu.

### Ochrana životního prostředí



Třídění odpadu. Tento výrobek nesmí být likvidován spolu s běžným komunálním odpadem.

Pokud nebudete přístroj dále používat nebo přejete-li si přístroj nahradit novým, nelikvidujte přístroj spolu s běžným komunálním odpadem. Zlikvidujte tento přístroj ve tříděném odpadu.



Tříděný odpad umožňuje recyklaci a opětovné využití použitých výrobků a obalových materiálů. Opětovné použití recyklovaných materiálů pomáhá zabránit znečištění životního prostředí a snižuje požadavky na nové suroviny.

Místní sběrný odpadů, recyklační stanice nebo prodejny Vám poskytnou informace o správné likvidaci elektro odpadů z domácností.

Po ukončení životnosti výrobků Black & Decker poskytuje společnost Black & Decker možnost recyklace těchto výrobků. Chcete-li této službě využít, odevzdejte Váš nepoužívaný přístroj některému z autorizovaných servisních středisek.

Kontakty na vaše regionální střediska Black&Decker naleznete v tomto návodu. Seznam autorizovaných středisek Black & Decker a všechny podrobnosti týkající se poprodejního servisu naleznete také na internetové adrese: **www.2helpU.com**

## Technické údaje

	KS999E	
Příkon	W	600
Počet zdvihů (bez zátěže)	min <sup>-1</sup>	800 - 3 200
Max. hloubka řezu		
Dřevo	mm	65
Ocel	mm	4
Hliník	mm	10

## Prohlášení o shodě

KS999E

Společnost Black & Decker prohlašuje, že tento výrobek odpovídá následujícím normám: 98/37/EC, 89/336/EEC, EN 60745, EN 55014, EN 61000

$L_{pA}$  (akustický tlak) 86 dB(A),  $L_{WA}$  (akustický výkon) 97 dB(A), vibrace přenášené na obsluhu < 7,3 m/s<sup>2</sup>

$K_{pA}$  (nepřesnost akustického tlaku): 3 dB(A),  
 $K_{WA}$  (nepřesnost akustického výkonu) 3 dB(A)

Kevin Hewitt  
 Technický a vývojový ředitel  
 Spennymoor, County Durham  
 DL16 6JG, Velká Británie  
 1-6-2004

## Politika služby zákazníkům

Spokojenost zákazníka s výrobkem a servisem je náš nejvyšší cíl.

Kdykoli budete potřebovat radu či pomoc, obraťte se s důvěrou na nejbližší servis Black&Decker, kde Vám vyškolený personál poskytne naše služby na nejvyšší úrovni.

## Záruka Black&Decker 2 roky

Blahopřejeme Vám ke koupi tohoto kvalitního výrobku Black&Decker.

Náš závazek ke kvalitě v sobě samozřejmě zahrnuje také naše služby zákazníkům.

Proto nabízíme záruční lhůtu daleko přesahující minimální požadavky vyplývající ze zákona.

Kvalita tohoto přístroje nám umožňuje nabídnout Vám záruční lhůtu po dobu 24 měsíců.

Objeví-li se jakékoliv materiálové nebo výrobní vady v průběhu **24 měsíců** záruční lhůty, garantujeme jejich bezplatné odstranění případně, dle našeho uvážení, bezplatnou výměnu přístroje za následujících podmínek:

- Příklad bude dopraven (spolu s originálním záručním listem Black&Decker a s dokladem o nákupu) do jednoho z pověřených servisních středisek Black&Decker, která jsou autorizována k provádění záručních oprav.
  - Příklad byl používán pouze s originálním příslušenstvím či přídatnými zařízeními a příslušenstvím BBW či Piranha, které je výslovně doporučeno jako vhodné k používání spolu s přístroji Black&Decker.
  - Příklad byl používán a udržován v souladu s návodem k obsluze.
  - Příklad nevykazuje žádné příčiny poškození způsobené opotřebením.
  - Motor přístroje nebyl přetěžován a nejsou patrné žádné známky poškození vnějšími vlivy.

- Do přístroje nebylo zasahováno nepovolanou osobou. Osoby povolané tvoří personál pověřených servisních středisek Black&Decker, která jsou autorizována k provádění záručních oprav.

Navíc servis Black&Decker poskytuje na veškeré provedené opravy a vyměněné náhradní díly další servisní záruční lhůtu 6 měsíců.

Záruka se nevztahuje na spotřební příslušenství (vrtáky, šroubovací nástavce, pilové kotouče, hoblovací nože, brusné kotouče, pilové listy, brusný papír a pod.).

Black&Decker nabízí rozsáhlou síť autorizovaných servisních oprav a sběrných středisek, jejichž seznam naleznete na záručním listu.

## Black&Decker

Klásterského 2  
143 00 Praha 4 - Modřany

Tel.: 244 402 450  
Fax: 241 770 204  
recepce@blackanddecker.cz

Právo na případné změny vyhrazeno.

**06/2004**

## Rendeltetészerű használat

Szívből gratulálunk új Black & Decker Dekopírfűrészéhez. Ezt a készüléket fa, műanyagok, kerámiák, és fémlemez vágására terveztük. A fűrész iparszerű felhasználásra nem alkalmas.

## Általános biztonságtechnikai előírások

**Figyelem!** Elektromos szerszám használatakor mindig tartsa be az alábbi alapvető biztonsági rendszabályokat, így elkerülheti a tűzveszély, az elektromos áramütés, a személyi sérülések és az anyag károsodásának lehetőségét.

- Figyelmesen olvassa el a kezelési útmutatót a gép üzembe helyezése előtt.
- Kérjük, gondosan őrizze meg a kezelési útmutatót, hogy a későbbiekben is bármikor utánanézhessen a géppel kapcsolatos összes információknak.
- Mielőtt bármilyen beállítást változtat a gépen, vagy karbantartási munkába kezd, mindig csatlakoztassa le a készüléket a hálózati áramforrásról.

### 1) Munkaterület

- Tartsa rendben és világítsa meg munkahelyét.** A zsúfolt, rendetlen munkaterület növeli a balesetveszélyt. Gondoskodjon a munkaterület megfelelő megvilágításáról.
- Ne használja a készüléket robbanás és tűzveszélyes helyeken, például gyúlékony folyadékok és gázok közelében.** Elektromos kéziszerszámok használatakor szikra keletkezhet, mely begyűjtheti a port vagy gázt.
- Tartsa távol a gyerekeket.** Gondoskodjon arról, hogy gyereket, más személyek vagy állatok ne közelíthessék meg a munkaterületet, ne érinthessék meg a készüléket és a hálózati kábelt, továbbá elvonhatják figyelmét a készülék irányításáról.

### 2) Elektromos biztonság

- A készülék csatlakozódugójának illeszkednie kell a dugaszoló aljzathoz. Soha ne változtasson a csatlakozódugón. Soha ne használjon semmilyen adaptert földelt készülékekkel.** Az eredeti csatlakozódugó és a megfelelő dugaszoló aljzat használatával jelentősen csökkenthető az elektromos áramütés kockázata.
- Kerülje az érintkezést fémes részekkel (például csövek, radiátorok, tűzhelyek és**


**hűtőszekrények).** Viseljen gumitalpú cipőt. Extrém munkakörülmények között (pl.: magas páratartalom, fémpor keletkezése esetén) az elektromos biztonság növelhető egy leválasztó transzformátor vagy hibaáram-védelmi kapcsoló előkapcsolásán keresztül

- Legyen figyelemmel a környezeti behatásokra.** Ne hagyja szabadban a gépet, óvja az esőtől. Ne használja nyirkos, nedves környezetben.
- Bánjon gondosan a kábellel. Soha ne a kábelnél fogva vigye a gépet, és kérjük, ne a kábelnél fogva húzza ki a csatlakozódugót a konnektorból. Tartsa távol a kábelt éles szélektől, védje olajtól és hőtől. Minden használat előtt ellenőrizze a kábel állapotát, és ne indítsa be a gépet, ha a kábel sérült.** Sérült vagy összetekeredett hálózati kábel használata jelentősen növelheti az elektromos áramütés kockázatát.
- A szabadban kizárólag csak az arra jóváhagyott és jelöléssel ellátott hosszabbító kábelt szabad használni.** Használat előtt ellenőrizze a hosszabbító kábelt és cserélje le, ha sérült. Teljesítmény csökkenés nélkül max. 30m hosszú, kéteres Black & Decker hosszabbító kábelt használhat.

### 3) Személy védelem

- Figyeljen munkájára. Figyeljen mindig arra, amit tesz. Használja az összes érzékszervét. Ne használja a készüléket, ha fáradt, vagy ha hallucinogén anyag, alkohol vagy gyógyszeres befolyásoltság alatt áll.** Elektromos kéziszerszám használatakor pillanatnyi figyelmetlenség is súlyos baleset előidézője lehet.
- Viseljen védőfelszerelést. Mindig viseljen védőszemüveget.** Használjon arc vagy pormaszkot, ha az elvégzendő munka nagy porral, vagy lepattanó részekkel járhat. Ügyeljen a hallásvédelemre is.
- Ne hagyja felügyelet nélkül bekapcsolva a gépet. Győződjön meg róla, hogy az üzemi kapcsoló kikapcsolt állapotban van, mielőtt az áramforrásra csatlakoztatja.** Ne szállítsa a feszültség alatt lévő gépet ujjával az üzemi kapcsolón, mivel ez súlyos baleset előidézője lehet.
- Ne hagyjon szerelőkulcsot a gépben.** A munka megkezdése előtt mindig ellenőrizze, hogy a szerelőszerszámot (kulcsot) eltávolította-e a készülékből.



- e. **Álljon biztonságosan.** Kerülje a rendellenes testtartást, és egyensúlyát soha ne veszítse el munkavégzés közben. Így jobban irányíthatja a készüléket, még váratlan helyzetekben is.
- f. **Viseljen megfelelő munkaruházatot.** Szabadban viseljen gumikesztyűt és csúszásmentes lábbelit. Ne hordjon ékszert vagy laza ruházatot munkavégzés közben. Tartsa távol hosszú haját, ruházatát és munkakesztyűjét a mozgó részekről.  
A laza ruházat, ékszerek vagy hosszú haj beakadhatnak a mozgó részekbe. Hosszú haj esetében használjon sapkát, hogy ne zavarja a munkában.
- g. **Ha a készüléken megtalálható a porelszívási lehetőség, vagy a porzsák, úgy ügyeljen arra, hogy megfelelően csatlakoztassa és használja ezeket munka közben.** Porelszívó berendezés használatával nagymértékben csökkenthetőek a por okozta veszélyek.
- 4) **Az elektromos kéziszerszám használata és ápolása**
- a. **Mindig a megfelelő szerszámot használja.** Ne erőltesse a kéziszerszámot. A készülék rendeltetészerű használatáról korábban már említést tettünk. Ne erőltesse túl a kisebb teljesítményű készülékeket, vagy tartozékokat, nagyobb teljesítményt igénylő munkánál. A termékkel jobban és biztonságosabban elvégezheti a munkát, hogy ha a teljesítmény kategóriájának megfelelően használja.  
**Figyelem!** Az Ön biztonsága érdekében csak olyan tartozékot, illetve kiegészítő berendezést használjon, melyet a kezelési utasítás ajánl.
- b. **Ne használja a gépet, ha a kapcsoló nem működőképes.** Bármely kéziszerszám használata, amely nem irányítható megfelelően az üzemi kapcsolóval, nagyon veszélyes, ezért azonnal meg kell javíttatni a kapcsolót, ha sérült vagy nem működőképes.
- c. **Áramtalanítsa a készüléket.** Mindig áramtalanítsa a készüléket, ha nem használja azt; mielőtt változtatna a gép bármely beállításán; tartozékot vagy feltétet cserél; valamint a termék átvizsgálása előtt.
- d. **Ügyeljen a készülék megfelelő tárolására.** Ha nem használja a készüléket, tartsa száraz, gyermekek elől gondosan elzárt helyen. Az elektromos kéziszerszámok használata veszélyes lehet nem képzett felhasználó esetén.
- e. **Ellenőrizze a készülék állapotát.** Használat előtt mindig ellenőrizze a készüléket és a hálózati kábelt. Vizsgálja meg, hogy a mozgó részek megfelelően működnek, nincsenek akadályoztatva. Ellenőrizze a részegységeket, olajozásukat, esetleg előforduló töréseit, a kézvédő vagy a kapcsoló sérüléseit és minden olyan rendellenességet, ami befolyásolhatja a készülék használatát. Bizonyosodjon meg róla, hogy a készülék megfelelően működik, és a kategóriájával egyenértékű teljesítményt biztosít. Ne használja a gépet, ha valamelyik alkatrésze sérült. A sérült vagy hibás alkatrészek javítását vagy cseréjét csak a kijelölt szakszervizek végezhetik. Soha ne kísérelje meg a javítást Önállóan, a sérült részeket és védőberendezéseket előírás szerint kell javíttatni vagy cseréltetni.
- f. **A vágóéleket tartsa élesen és tisztán a jobb és biztonságosabb munkavégzés érdekében.** Kövesse a karbantatásra és tartozékcserére vonatkozó előírásokat. Tartsa a fogantyúkat és csatlakozókat szárazon, tisztán és olajtól, zsírtól mentesen.
- g. **Rögzítse a munkadarabot.** Használjon satut vagy más leszorító eszközt a munkadarab rögzítésére. Így biztonságossá válik a munkavégzés, és mindkét keze szabadon marad a gép irányítására.
- 5) **Javítás**
- a. **Ez a kéziszerszám megfelel a vonatkozó biztonsági előírásoknak. Javítást csak szakszerviz végezhet, és csak eredeti gyári alkatrészeket szabad felhasználni. A szakszerűtlen javítás súlyos baleset előidézője lehet.**
- Elektromos biztonság**
-  Ez a készülék kettősszigetelésű, ezért a földelés nem szükséges. Mindig ellenőrizze, hogy a hálózati feszültség megfelel-e a gép adattábláján feltüntetettnek!
- Kiegészítő biztonsági előírások dekopírfűrészekhez**
- **Figyelem!** A vágási alkalmazásokkor keletkező porral való érintkezés vagy belégzés veszélyt jelenthet a munkaterületen tartózkodók és a felhasználó egészségére. Viseljen pormaszkot, melyet speciálisan arra terveztek, hogy megvédje használóját a

keletkezett portól és gáztól. Ügyeljen arra, hogy a munkaterületen tartózkodó összes személy is viselje a pormaszkot.

## Leírás

A készülék a következő jellemzőkkel rendelkezik:

1. Ki/be üzemi kapcsoló
2. Tartósüzem rögzítő gomb
3. Fordulatszám szabályzó kerék
4. Turbó beállítás
5. Fűrészlap rögzítő kar
6. Fűrészlap támasztógörgő
7. Fűrészlap
8. Fűrésztalp
9. Fűrésztalp rögzítő kerék
10. Fűrészlap tartó
11. Porelszívó csont

## Összeszerelés

**Figyelem!** Mielőtt elkezdi a gép összeszerelését, győződjön meg arról, hogy a hálózati csatlakozó le van választva az áramforrásról, a készülék ki van kapcsolva és a fűrészlap teljesen megállt. A használt fűrészlapok felmelegedhetnek.

### A fűrészlap befogása (A ábra)

- Tartsa a fűrészlapot (7) az ábra szerint, fogakkal előre.
- Nyomja le a fűrészlap rögzítő kart (5).
- Helyezze be a fűrészlap szárát a fűrészlap tartóba (12) és tolja be ütközésig.
- Engedje el a fűrészlap rögzítő kart.

### Porelszívó csatlakoztatása a készülékhez (B és C ábra)

- Igazítsa a porelszívó csontot (11) a fűrésztalpához az ábra szerint.
- Illessze be a bordákat (14) a vajatokba (15).
- Forgassa a csontot addig, amíg a helyére nem csatlakozik. Ellenőrizze, hogy a bordák (16) megfelelően ülnek-e a helyükön.
- Csatlakoztassa a porelszívó csövet (13) (nem tartozék) az adapterhez.

Szögvágásnál a porelszívás nem lehetséges.

## A készülék használata

**Figyelem!** Soha ne használja a fűrész talpát akkor, ha a fűrész talp nem megfelelően van rögzítve, vagy ha el van távolítva a készülékről.

### A fűrésztalp beállítása szögvágáshoz (D ábra)

A fűrésztalp bal és jobb irányban is 45°-ig dönthető.

- Forgassa a rögzítő kereket (9) az „A”-val jelzett irányba, a fűrésztalp (8) beállításához.

- Húzza a fűrésztalpat (8) hátra, állítsa be a kívánt szögbe és nyomja vissza a kiinduló helyzetbe. Használja a fokskálát vagy egy szögmérőt a szög ellenőrzéséhez.
- Forgassa a rögzítő kereket (9) a „B”-vel jelzett irányba, ezzel a fűrésztalpat a helyére rögzíti.

A fűrésztalp visszaállítására merőleges helyzetbe, egyenes vonalak vágására

- Forgassa a rögzítő kereket (9) az „A”-val jelzett irányba, a fűrésztalp (8) beállításához.
- Húzza a fűrésztalpat hátra, és állítsa be 0°-os szögbe.
- Nyomja előre a fűrésztalpat a kiinduló helyzetbe.
- Forgassa a rögzítő kereket (9) a „B”-vel jelzett irányba, ezzel a fűrésztalpat a helyére rögzíti. Ellenőrizze, hogy a fűrésztalp a vezetőkordokra megfelelően támaszkodjanak.

### A fordulatszám szabályozása

Állítsa a fordulatszám szabályzó kereket (3) a megfelelő sebességre. Magas fordulatszámot fa, közepeset alumínium és PVC, alacsony fordulatszámot fémek vágásakor használjon.

### Turbó beállítás

- Faanyagok gyors és egyenes vágásakor a turbó kereket a max. (4) fokozatra tegye.
- Pontos, egyenes és ívek vágására, valamint sima felületek megmunkálásakor a turbó kereket (4) minimum fokozatra tegye.

### A készülék be- és kikapcsolása

- A készülék beindításához nyomja be az üzemi kapcsolót (1).
- A tartósüzem használatához, nyomja be a tartósüzem rögzítő gombot (2) és engedje el az üzemi kapcsolót.
- A gép leállításához engedje el az üzemi kapcsolót. Ha a gép tartósüzemben működik, nyomja meg még egyszer az üzemi kapcsolót és engedje el.

### Hogyan követheti a vágásvonalat (E ábra)

- Egy ácszeruza segítségével jelölje be a vágásvonalat.
- Helyezze a fűrész talpat a vonalra (17).

Ha közvetlenül a fűrész feletti helyzetből figyelni a munkát, a vágásvonal könnyen követhető. Amennyiben mégsem tudja ebből a helyzetből elvégezni a munkát, a talp elülső részének a közepén megtalálható „V” bemetszést (18) használhatja alternatív vágásvetőnek.

## Javaslatok az optimális munkavégzéshez

Általában

- Használjon magas fordulatszámot fa; közepes fordulatszámot alumínium és PVC; alacsony fordulatszámot egyéb fémek vágásához.

Rétegelt lapok fűrészelése

Ahogy a fűrészlap felfelé mozog az anyagban, a felületen a talp közelében hasadás keletkezhet.

- Használjon finom fogazású fűrészlapot.
- A munkadarabot a fordított oldaláról fűrészelve.
- A hasadás minimalizálásához erősítsen a munkadarab mindkét oldalára egy darab puhafát vagy préselt falapot és ezen a „szendvicsen” keresztül fűrészljen.

Fémek fűrészelése

- Legyen tudatában annak, hogy a fémek fűrészelése sokkal több időt vesz igénybe, mint a faanyagok fűrészelése.
- Kizárólag fémvágó fűrészlapot használjon. Vastartalmú fémekhez finom fogazású, míg a nem vastartalmú fémekhez durvább fogazású fűrészlap szükséges.
- Ha vékony fémlapra fűrészelt, erősítsen a munkadarab hátsó oldalára egy darab puhafát vagy préselt falapot és ezen a „szendvicsen” keresztül fűrészelve.
- Tegyen a kívánt vágásvonalra egy vékony olajcsíkot.

## Tartozékok

A készülék teljesítménye nagymértékben függ a felhasznált tartozékoktól. A Black & Decker és Piranha tartozékok magas minőség standardnak megfelelően vannak konstruálva és tervezésükkor a készülék teljesítményének optimalizálása volt a fő cél. A legjobb teljesítményt a fenti tartozékok felhasználásával érheti el. Ez a készülék U és T befogású fűrészlappal is használható.

## Karbantartás

Az Ön készüléke minimális karbantartás mellett hosszú távú felhasználásra lett tervezve.

A készülék folyamatos megfelelő működése nagymértékben függ az alapos ápolástól és a rendszeres tisztítástól.

- Rendszeresen tisztítsa meg a készülék levegőréseit egy puha kefével vagy száraz ronggyal.
- A készülék tisztításához használjon egy enyhén nedves szappanos kendőt. Ne használjon karcot hagó tisztítószer vagy oldószer bázisú

anyagot. Akadályozza meg, hogy folyadék kerüljön a készülék belsejébe. Soha ne mártsa a készülék semelyik részét folyadékba.

- Esetenként olajozza meg a fűrészlap támasztógörgő tengelyét.

## Környezetvédelem



Elkülönített begyűjtés. Ezt a készüléket el kell különíteni a normál háztartási hulladéktól.

Egy napon, mikor készüléke eléri technikai élettartamának végét, vagy nincs további szüksége rá, gondoljon a környezetvédelemre. A terméket a normál háztartási hulladéktól elkülönítve kell megsemmisíteni.



Az elhasznált termékek és csomagolások elkülönített begyűjtése lehetővé teszi, ezek újrahasznosítását. Újrahasznosított vagy újra feldolgozott anyagok segítségével a környezetszennyezés, illetve a nyersanyagok iránti igény nagymértékben csökkenthető.

A helyi előírások rendelkezhetnek az elektromos készülékek háztartási hulladéktól elkülönített begyűjtéséről, helyhatósági hulladéklerakó helyeken vagy a kereskedők által új termék megvásárlásakor.

Black & Decker termékeire az élettartamuk lejártával visszavételi lehetőséget kínál. Ez a szolgáltatás ingyenes. Ha igénybe veszi ezt a szolgáltatást, kérjük, juttassa el készülékét a legközelebbi Black & Decker szervizbe, melyekről a Magyarországi Képviselőnél érdeklődhet.

A szervizzel kapcsolatban a következő Internet oldalon is felvilágosítást kaphat:

[www.2helpU.com](http://www.2helpU.com).

## Műszaki adatok

		KS999E
Névleges teljesítmény	W	600
Üresjárati löketség	min <sup>-1</sup>	800 - 3.200
Maximális vágás kapacitás		
Fa	mm	65
Fém	mm	4
Alumínium	mm	10

**EC-TANÚSÍTÁS**

KS999E

A Black & Decker tanúsítja, hogy ezek az elektromos szerszámok megfelelnek a következő irányelveknek és szabványoknak: 98/37/EC, 89/336/EEC, EN60745, EN 55014, EN 61000.

Hangnyomásszint  $L_{pA}$ : 86 dB(A), Hangteljesítmény szint  $L_{WA}$ : 97 dB(A), Súlyozott effektív rezgésgyorsulás  $< 7,3 \text{ m/s}^2$

Hangnyomásszint toleranciafaktor  $K_{pA}$ : 3 dB(A), Hangteljesítmény szint toleranciafaktor  $K_{WA}$ : 3 dB(A)



Kevin Hewitt  
Director of Consumer  
Engineering  
Spennymoor, County Durham DL16 6JG,  
United Kingdom  
1-6-2004

**Garancia határozat**

A következő meghibásodások esetén a garancia kizárt:

- Elhasználódott, illetve károsodott kések, és a hálózati kábel. Azok az alkatrészek, amelyek a normál használat során elkopnak.
- Azok a meghibásodások, amelyek a szakszerűtlen kezelésemből eredtek.
- Azok a hibák, amelyek a kezelési útmutató be nem tartásából eredtek.

**Kizárólag csak eredeti Black & Decker tartozékok és alkatrészek alkalmazhatók. Ellenkező esetben teljesítménycsökkenés léphet fel, és a gép elveszti a garanciát. Ha garanciális igénye van, feltétlen mellékelje a jótállási jegyet, és a vásárlási okmányokat (számlát).**

## BLACK&DECKER

### GARANCIÁLIS FELTÉTELEK

Gratulálunk Önnek ennek az értékes Black&Decker készülék megvásárlásához.

Azon termékeinkre, amelyet fogyasztói használat keretében háztartási, hobby célra vásárolnak **24 hónap jótállást biztosítunk.**

#### A termék iparszerű használatra nem alkalmas!

A jótállás a fogyasztó törvényből eredő jogait nem érinti.

1) **Black&Decker** kötelezettséget vállal arra, hogy a garanciális javításokat a **49/2003. (VII. 30.) GKM** és a **151/2003 (IX.22.) sz. Korm. rend. szerint** végzi.

- A fogyasztó jótállási igényét a jótállási jeggyel érvényesítheti, ezért azt őrizze meg.
- Vásárláskor az eladónak a garanciaakártyán fel kell tüntetnie a vásárlás időpontját, a termék típusát vagy termékkódját, a kereskedés nevét, címét pedig a jótállási jegyre rá kell bélyegezni. Ennek alapján szerez jogosultságot a vevő a garancia időn belüli ingyenes garanciális javításra.
- Jótállási javítást csak érvényes jótállási jegy alapján végezhetnek a kijelölt szervizek.
- A jótállási jegyen történt bármilyen javítás, törlés vagy átírás, valótlan adatok bejegyzése, a jótállási jegy érvénytelenségét vonja maga után.
- Elvesztett jótállási jegyet csak a vásárlási számla felmutatásával, térítés ellenében tudunk pótolni!
- A jótállási jegy szabálytalan kiállítása vagy a fogyasztó részére történő átadásának elmaradása nem érinti a jótállási kötelezettségvállalás érvényességét.

2) **Nem terjed ki a garancia:**

- Ha a hiba rendeltetésellenes használat, átalakítás, szakszerűtlen kezelés, helytelen tárolás, elemi kár vagy egyéb, vásárlás után keletkezett okból következett be. *(A rendeltetéssel ellentétes használat elkerülése céljából a termékhez magyar nyelvű vásárlói tájékoztatót mellékelünk és kérjük, hogy az abban foglaltakat saját érdekében tartsa be!)*
- Az olyan károsodásokra, amelyek a szerszámok iparszerű (professzionális), közületi, valamint kölcsönzési felhasználása miatt keletkeztek.
- Azon alkatrészekre, amelyeknél a meghibásodás garanciaidőn belül a helyes kezelés, karbantartás szerinti rendeltetészerű üzemeltetés mellett az alkatrészek természetes elhasználódása, kopása következtében állt elő. *(ezek a következők: megmunkáló szerszámok pl. vágószerszám, fűrészlánc, fűrészlap, gyalukés stb. továbbá: meghajtósíj, csapágó, szénkefe, csillagkerék kpl.)*
- A készülék túlterhelése miatt jelentkező hibákra, amelyek a hajtómű meghibásodásához, vagy egyéb ebből adódó károkhoz vezetnek.
- A termék nem hivatalos szervizben történt javításából eredő hibákra.
- Az olyan károsodásokra, amelyek nem eredeti Black&Decker kiegészítő készülékek és tartozékok használatából adódnak.

3) **A Fogyasztó** a kijavítás iránti igényét a forgalmazónál, illetve a jótállási jegyen feltüntetett javítószolgálatnál érvényesítheti.

- Meghosszabbodik a jótállási idő a kijavítási idő azon részével, amely alatt a fogyasztó a terméket nem tudta rendeltetészerűen használni.
- A jótállási és szavatossági jogok érvényesíthetőségének határidején belül a terméknek vagy jelentősebb részének kicserélése (kijavítása) esetén a kicserélt (kijavított) termékre (termékrészre) 12 hónap jótállást biztosítunk. Ezek a következők: motor illetve állórész, forgórész, elektronika.
- Ha a fogyasztási cikk a vásárlástól (üzembe helyezéstől) számított három munkanapon belül meghibásodik, a fogyasztó kérheti annak kicserélését feltéve, hogy a meghibásodás a rendeltetészerű használatot akadályozza.  
Ha a csere nem lenne lehetséges, műszakilag hasonló készülék kerül felajánlásra, vagy visszafizethető a vételár.

Amennyiben a hiba keletkezése, ténye, jellege, (pl. rendeltetésellenes használat, stb.) miatt vita merül fel, a Fogyasztó szakvéleményt kérhet a Fogyasztóvédelmi Főfelügyelőségtől. A szakvélemény térítésköteles és nem kötelező érvényű a Forgalmazó számára.

4) **Garanciális javítás esetén** a szerviznek a garanciaakártyán az alábbi adatokat kell feltüntetnie:

- a garanciális igény bejelentésének dátumát,
  - a hiba rövid leírását,
  - a javítás módját és időtartamát,
  - a készülék visszaadásának időpontját,
  - javítás időtartamával meg-hosszabbított új garanciaidőt.
- 5) **Arra törekszünk, hogy szervizhálózatunkon** keresztül kiváló javítószolgáltatást, zökkenőmentes alkatrészellátást, és széles tartozékpalalettát biztosítsunk.
- 6) **A fogyasztót a Polgári Törvénykönyvről szóló 1959. évi IV. törvény 306-310. §-ában, valamint a 49/2003. (VII. 30.) GKM** rendeletben meghatározott jogok illetik meg.

#### Gyártó:

Black&Decker GmbH  
D – 65510 Idstein/Ts  
Black&Decker str. 40.

#### Importőr/ Forgalmazó:

Erfaker Kft.  
1158. Budapest,  
Késmárk u. 9.

## Przeznaczenie

Opisywana wyrzynarka Black & Decker przeznaczona jest do cięcia drewna, tworzyw sztucznych i blach. Narzędzie przeznaczone jest wyłącznie do użytku amatorskiego.

## Ogólne zasady bezpiecznej pracy

**Uwaga!** Uważnie przeczytaj całą instrukcję obsługi. Nie zastosowanie się do poniższych zaleceń może spowodować zagrożenie porażeniem prądem elektrycznym, pożarem i / lub poważnym uszkodzeniem ciała. Pojęcie "elektronarzędzie" używane we wszystkich poniższych ostrzeżeniach dotyczy elektronarzędzi zasilanych z sieci elektrycznej (przewodem zasilającym) oraz elektronarzędzi zasilanych akumulatorowo (bezprowodowych).  
ZACHOWAJ INSTRUKCJĘ OBSŁUGI.

### 1. Miejsce pracy

- a. **Utrzymuj miejsce pracy w czystości i dbaj o dobre oświetlenie.** Brak porządku i złe oświetlenie są częstą przyczyną wypadków.
- b. **Nie używaj elektronarzędzi w strefach zagrożonych wybuchem, na przykład w pobliżu palnych cieczy, gazów lub pyłów.** Elektronarzędzia mogą wytworzyć iskry powodujące zapłon pyłów lub oparów.
- c. **W czasie pracy elektronarzędziami nie pozwalaj na przebywanie w pobliżu dzieci i innych osób postronnych.** Brak skupienia może spowodować utratę kontroli nad narzędziem.

### 2. Ochrona przed porażeniem prądem elektrycznym

- a. **Gniazdo musi być dostosowane do wtyczki elektronarzędzia. Nie wolno dokonywać przeróbek wtyczki. Nie wolno używać przejściówek do zasilania uziemionych elektronarzędzi.** Nie przerabiane wtyczki i odpowiednie gniazda zmniejszają ryzyko porażenia prądem elektrycznym.
- b. **Należy unikać bezpośredniej styczności z powierzchniami uzziemionymi lub zerowanymi (np. rurociągami, kaloryferami, kuchenkami i urządzeniami chłodniczymi).** Ryzyko porażenia prądem elektrycznym wzrasta, jeśli twoje ciało jest zerowane lub uziemione.
- c. **Nie narażaj elektronarzędzi na działanie deszczu lub zwiększonej wilgotności.** Woda wnikająca do wnętrza elektronarzędzia

zwiększa ryzyko porażenia prądem elektrycznym.

- d. **Nie wolno ciągnąć za przewód zasilający. Nie podnoś, nie ciągnij i nie wyciągaj z gniazda wtyczki, poprzez ciągnięcie za przewód zasilający elektronarzędzie. Chronić przewód zasilający przed kontaktem z gorącymi elementami, olejami, ostrymi krawędziami i ruchomymi częściami.** Uszkodzenie lub zaplątanie przewodu zasilającego zwiększa ryzyko porażenia prądem elektrycznym.
  - e. **W czasie pracy elektronarzędziem na wolnym powietrzu należy używać przedłużacza przeznaczonego do stosowania poza pomieszczeniami zamkniętymi.** Użycie przewodu zasilającego przeznaczonego do stosowania poza pomieszczeniami zamkniętymi zmniejsza ryzyko porażenia prądem elektrycznym.
- ### 3. Środki ochrony osobistej
- a. **W czasie pracy elektronarzędziem zachowaj czujność, patrz uważnie i kieruj się zdrowym rozsądkiem. Nie używaj elektronarzędzi, jeżeli jesteś zmęczony, pod wpływem narkotyków, alkoholu czy leków.** Nawet chwila nieuwagi, w czasie pracy elektronarzędziem, może doprowadzić do poważnego uszkodzenia ciała.
  - b. **Używaj sprzętu ochrony osobistej. Zawsze zakładaj okulary ochronne.** Stosowanie odpowiedniego do sytuacji sprzętu ochrony osobistej takiego, jak maska przeciwpyłowa, buty z podeszwą antypoślizgową, hełm ochronny lub ochrona słuchu, zmniejsza ryzyko uszkodzenia ciała.
  - c. **Unikaj przypadkowego włączenia. Przed włożeniem wtyczki do gniazda upewnij się, że wyłącznik jest w pozycji "wyłączone".** Trzymanie palca na wyłączniku w czasie przenoszenia elektronarzędzia oraz wkładanie wtyczki do gniazda, gdy przełącznik jest wciśnięty, zwiększa ryzyko uszkodzenia ciała.
  - d. **Przed uruchomieniem narzędzia usuń wszelkie klucze i narzędzia do regulacji.** Pozostawienie klucza lub narzędzia do regulacji połączonego z częściami wirującymi elektronarzędzia może spowodować uszkodzenie ciała.
  - e. **Nie wychylaj się. Przyjmij stabilną pozycję tak, aby zawsze zachowywać równowagę.**



Umożliwia to lepszą kontrolę nad pracą urządzenia w nagłych sytuacjach.

- f. **Założ odpowiedni strój. Nie zakładaj luźnych ubrań i biżuterii. Nie dopuszczaj włosów, ubrania i rękawic do kontaktu z częściami wirującymi.** Luźne ubranie, biżuteria lub długie włosy mogą zostać pochwycone przez ruchome części.

- g. **Jeśli sprzęt jest przystosowany do przyłączenia urządzeń odprowadzających i zbierających pył, upewnij się, czy są one przyłączone i właściwie użytkowane.** Użycie takich urządzeń może zmniejszyć niebezpieczeństwa wynikające z obecności pyłów.

#### 4. Obsługa i konserwacja elektronarzędzi

- a. **Nie wolno przeciążać elektronarzędzi. Zawsze używaj elektronarzędzi odpowiednich dla danego zastosowania.** Dzięki odpowiednim elektronarzędziom wykonasz pracę lepiej i w sposób bezpieczny, w tempie, do którego narzędzie zostało zaprojektowane.
- b. **Nie wolno używać elektronarzędzia z zepsutym wyłącznikiem, który nie pozwala na sprawne włączanie i wyłączenie.** Elektronarzędzie, którego pracy nie można kontrolować wyłącznikiem, stanowi zagrożenie i musi zostać naprawione.
- c. **Przed wykonywaniem regulacji, wymiany osprzętu czy spakowaniem elektronarzędzia należy odłączyć wtyczkę od źródła zasilania.** Stosowanie takich środków zapobiegawczych zwiększa bezpieczeństwo i zmniejsza ryzyko przypadkowego uruchomienia elektronarzędzia.
- d. **Nie używaj elektronarzędzie przechowuj poza zasięgiem dzieci i nie dopuszczaj osób nie znających elektronarzędzia lub tej instrukcji do posługiwania się elektronarzędziem.** Elektronarzędzia obsługiwane przez osoby nieprzygotowane stanowią zagrożenie.
- e. **Regularnie dokonuj konserwacji elektronarzędzi. Sprawdź, czy ruchome części są właściwie połączone i przymocowane, czy części nie są uszkodzone oraz skontroluj wszelkie inne elementy mogące mieć wpływ na pracę elektronarzędzia. Jakiegokolwiek uszkodzenia należy naprawić przed rozpoczęciem pracy.**

Wiele wypadków spowodowanych jest przez niedostateczną konserwację elektronarzędzi.

- f. **Dbaj o czystość narzędzi i ostrość elementów tnących.** Zadbane narzędzia tnące, z ostrymi krawędziami tnącymi, rzadziej się zacinają i są łatwiejsze w prowadzeniu.
- g. **Używaj elektronarzędzia, osprzętu, końcówek itp. zgodnie z zaleceniami instrukcji obsługi oraz z przeznaczeniem danego typu elektronarzędzia, uwzględniając warunki i rodzaj wykonywanej pracy.** Używanie elektronarzędzia niezgodnie z przeznaczeniem jest niebezpieczne.

#### 5. Naprawy

- a. **Powierzaj naprawy elektronarzędzi wyłącznie osobom wykwalifikowanym, używającym identycznych części zamiennych.** Zapewni to bezpieczeństwo użytkowania naprawionego urządzenia.

#### Ochrona przed porażeniem prądem elektrycznym



Opisywane elektronarzędzie jest podwójnie izolowane; dlatego nie ma konieczności stosowania dodatkowego uziemienia. Zawsze należy upewnić się, czy napięcie sieci zasilającej jest zgodne z napięciem podanym na tabliczce znamionowej.

#### Dodatkowe wskazówki dotyczące bezpiecznego użytkowania wyrzynarek

- **Uwaga!** Bezpośredni kontakt lub wdychanie pyłu powstałego w trakcie cięcia może szkodzić zdrowiu wykonującego pracę i osób znajdujących się w pobliżu. Należy nosić specjalną maskę przeznaczoną do ochrony przed pyłem i oparami oraz upewnić się, że osoby w pomieszczeniu i wchodzące do pomieszczenia są również zabezpieczone.

#### Wyposażenie

Opisywane narzędzie wyposażone jest w kilka lub wszystkie z poniższych elementów.

1. Wyłącznik
2. Przycisk blokady wyłącznika
3. Gałka regulacji prędkości obrotowej
4. Przełącznik Turbo
5. Dźwignia blokady brzeszczotu
6. Rolka prowadząca brzeszczot
7. Brzeszczot
8. Stopa wyrzynarki
9. Pokrętko blokady stopy wyrzynarki



10. Magazynek brzeszczotów
11. Przejściówka do odprowadzenia pyłów

## Montaż

**Uwaga!** Przed przystąpieniem do każdej z poniższych czynności upewnij się, czy narzędzie jest wyłączone i wtyczka zasilania jest wyjęta z gniazda oraz ostrze zatrzymało się. W czasie eksploatacji brzeszczot może się rozgrzać.

### Montaż brzeszczotu (Rys. A)

- Trzymać brzeszczot (7) jak na rysunku, skierowany zębami do przodu.
- Opuścić dźwignię (5).
- Włożyć trzonek brzeszczotu w uchwyt (12) aż do napotkania oporu.
- Zwolnić dźwignię.

### Przylączanie odkurzacza (Rys. B i C)

- Umieścić przejściówkę do odprowadzenia pyłów (11) na stopie wyrzynarki, jak pokazano na rysunku.
- Wsunąć zaczepy (14) w otwory (15).
- Obracając przejściówkę zablokować ją we właściwym miejscu. Upewnij się, że zaczepy (16) znajdują się we właściwym miejscu.
- Przyłączyć przewód odkurzacza (13) (nie jest zawarty w zestawie) do przejściówki.

Odprowadzanie pyłu nie działa w trakcie cieciska skośnego.

## Eksploatacja

**Uwaga!** Nie wolno używać wyrzynarki ze zdemontowaną lub nie dokręconą stopą.

### Ustawianie stopy wyrzynarki do cięcia skośnego (Rys. C)

Stopa wyrzynarki może być ustawiana do cięcia skośnego zarówno w lewo jak i w prawo maksymalnie pod kątem 45°.

- Obracając gałkę blokady (9) w kierunku A zwolnić stopę wyrzynarki (8).
- Pociągnąć stopę wyrzynarki (8) do tyłu i ustawić pod żądanym kątem. Do sprawdzenia kąta ustawienia można użyć skali lub kątomierza.
- Obracając gałkę blokady (9) w kierunku B zablokować stopę wyrzynarki w żądanym położeniu.

Aby z powrotem ustawić stopę wyrzynarki do cięcia prostego:

- Obracając gałkę blokady (9) w kierunku A zwolnić stopę wyrzynarki (8).

- Pociągnąć stopę wyrzynarki do tyłu i ustawić kąt ok. 0°.
- Przesunąć stopę wyrzynarki do przodu.
- Obracając gałkę blokady (9) w kierunku B zablokować stopę wyrzynarki w żądanym położeniu. Upewnij się, czy stopa wyrzynarki jest właściwie podparta.

### Regulacja prędkości

- Ustawić przełącznik regulacji obrotów (3) w wybranym zakresie prędkości obrotowych. Duże prędkości stosuje się do cięcia drewna, średnie dla aluminium i PCV a małe do cięcia metali innych niż aluminium.

### Przełącznik Turbo

- Aby szybko i wydajnie ciąć drewno, należy ustawić przełącznik Turbo (4) w pozycji "max".
- Aby wykonać precyzyjne cięcia wzdłuż linii prostych i krzywych oraz gładkiego wykańczania powierzchni, należy ustawić przełącznik Turbo (4) w pozycji "min".

### Włączanie i wyłączenie

- Aby włączyć narzędzie naciśnij wyłącznik (1).
- Aby włączyć tryb pracy ciągłej wciśnij przycisk blokady wyłącznika (2) i zwolnij wyłącznik.
- Aby wyłączyć narzędzie, zwolnij wyłącznik. Aby wyłączyć narzędzie, gdy jest w trybie pracy ciągłej, naciśnij jeszcze raz wyłącznik i zwolnij go.

### Korzystanie z systemu SightLine™ (Rys. E)

- Zaznaczyć ołówkiem linię cięcia.
- Ustawić wyrzynarkę na linii cięcia (17).

Obserwacja cięcia nad wyrzynarką umożliwia precyzyjne prowadzenie narzędzia wzdłuż linii cięcia. W razie utrudnionej widoczności można kierować się także wskazaniem wycięcia (18).

### Wskazówki praktyczne

Cięcie tworzyw sztucznych

Ponieważ brzeszczot tnie w czasie ruchu powrotnego, wyszczerbienia mogą pojawić się na brzegu powierzchni ciętego materiału od strony stopy wyrzynarki.

- Użyj brzeszczotu o drobnych ząbkach.
- Tnij płytę spodem do góry.
- Aby zminimalizować uszkodzenia powierzchni ściśnij płytę z obu stron kawałkami drewna lub płyty pilśniowej i tnij wszystkie warstwy na raz.

## Cięcie metalu

- Pamiętaj, że cięcie metalu zajmuje dużo więcej czasu niż cięcie drewna.
- Używaj brzeszczotów przeznaczonych do cięcia metalu.
- W przypadku cięcia cienkich blach przyciśnij kawałek drewna od spodu blachy i tnij wszystkie warstwy na raz.
- Nałóż cienką warstwę oleju wzdłuż linii cięcia.

## Akcesoria

Wydajność narzędzia zależy od użytego osprzętu. Osprzęt Black & Decker i Piranha (nie dotyczą Australii i Nowej Zelandii) został wykonany z zachowaniem wysokich standardów jakości i zaprojektowany tak, aby podnieść wydajność narzędzia. Używając tych akcesoriów maksymalnie wykorzystasz możliwości swojego narzędzia.

Opisywana wyrzynarka przystosowana jest do użycia brzeszczotów z trzonkami typu U i typu T.

## Konserwacja

Elektronarzędzia Black & Decker zostały zaprojektowane tak, aby zapewnić długoletnią, prawie bezobsługową pracę urządzenia. Aby długo cieszyć się właściwą pracą urządzenia, należy odpowiednio z nim postępować i regularnie je czyścić.

- Otwory wentylacyjne w obudowie należy okresowo czyścić czystym, suchym pędzelkiem.
- Do czyszczenia używać tylko delikatnego mydła i wilgotnej ściereczki. Nigdy nie dopuszczaj do dostania się jakiegokolwiek płynów do wnętrza narzędzia i nigdy nie zanurzać żadnych części narzędzia w płynach.
- Okresowo wpuszczać kroplę oleju na ośkę rolki prowadzącej.

## Ochrona środowiska



Selektywna zbiórka odpadów. Opisywanego produktu nie wolno utylizować razem ze zwykłymi śmieciami z gospodarstw domowych.

Gdy okaże się, że konieczna jest wymiana posiadanego narzędzia Black & Decker lub nie będzie się go więcej używać, nie należy wyrzucać go razem ze śmieciami z gospodarstwa domowego. Należy przekazać produkt do punktu selektywnej zbiórki odpadów.



Selektywna zbiórka zużytych produktów i opakowań pozwala na powtórne wykorzystanie zużytych materiałów. Powtórne użycie materiałów pomaga chronić środowisko naturalne przed zanieczyszczeniem i zmniejsza zapotrzebowanie na surowce.

Lokalne prawodawstwo może zapewniać możliwość selektywnej zbiórki zużytych sprzętów elektrycznych, poprzez pozostawienie ich w punktach na miejskich wysypiskach śmieci lub u sprzedawcy, przy zakupie nowego sprzętu.

Black & Decker zapewnia możliwość zbiórki i recyklingu swoich produktów po zakończeniu okresu eksploatacji. Aby skorzystać z tej możliwości, prosimy zwrócić się do jednego z Autoryzowanych Przedstawicieli Serwisowych, który odbierze je od Państwa w naszym imieniu. Lista Autoryzowanych Przedstawicieli Serwisowych Black & Decker oraz inne informacje na temat naszego serwisu posprzedażnego dostępne są na stronie internetowej: [www.2helpU.com](http://www.2helpU.com).

## Dane techniczne

		KS999E
Moc elektryczna	W	600
Liczba skoków (bez obciążenia)min <sup>-1</sup>		800 - 3,200
Maksymalna głębokość cięcia		
Drewno	mm	65
Stal	mm	4
Aluminium	mm	10

## Deklaracja zgodności UE

Black & Decker oświadcza, że wyrzynarka KS999E spełnia normy: 98/37/EC, 89/336/EEC, EN 60745, EN 55014, EN 61000

$L_{pA}$  (ciśnienie akustyczne) 86 dB(A),  $L_{WA}$  (moc akustyczna) 97 dB(A), wibracje działające na rękę / ramiona < 7.3 m/s<sup>2</sup>

$K_{pA}$  (wahania ciśnienia akustycznego) 3 dB(A),  
 $K_{WA}$  (wahania mocy akustycznej) 3 dB(A)

Kevin Hewitt  
 Dyrektor Techniczny  
 Black & Decker  
 Spennymoor, County Durham DL16 6JG,  
 Wielka Brytania  
 1-6-2004

**Black&Decker****Warunki gwarancji:**

Garantujemy sprawne działanie produktu, zgodnie z warunkami techniczno-eksploatacyjnymi opisanymi w instrukcji obsługi. Niniejszą gwarancją nie jest objęte wyposażenie takie, jak: szczotki, tarcze pilarskie, tarcze ścierne, wiertła i inne akcesoria, jeżeli nie została do nich dołączona oddzielna karta gwarancyjna oraz elementy podlegające naturalnemu zużyciu.

1. Niniejszą gwarancją objęte są usterki produktu spowodowane wadami produkcyjnymi i wadami materiałowymi.
2. Niniejsza gwarancja jest ważna po przedstawieniu przez Klienta w Centralnym Serwisie Gwarancyjnym reklamowanego produktu oraz łącznie:
  - a) poprawnie wypełnionej karty gwarancyjnej;
  - b) ważnego paragonu zakupu z datą sprzedaży taką, jak w karcie gwarancyjnej lub kopii faktury.
3. Gwarancja obejmuje bezpłatną naprawę urządzenia (wraz z bezpłatną wymianą uszkodzonych części) w okresie 24 miesięcy od daty zakupu.
4. Produkt reklamowany musi być:
  - a) dostarczony bezpośrednio do Centralnego Serwisu Gwarancyjnego wraz z poprawnie wypełnioną kartą gwarancyjną i ważnym paragonem zakupu (lub kopią faktury) oraz szczegółowym opisem uszkodzenia, lub
  - b) przesłany do Centralnego Serwisu Gwarancyjnego za pośrednictwem punktu sprzedaży wraz z dokumentami wymienionymi powyżej.
5. Koszty wysyłki do Centralnego Serwisu Gwarancyjnego ponosi Serwis. Wszelkie koszty związane z zapewnieniem bezpiecznego opakowania, ubezpieczeniem i innym ryzykiem ponosi Klient. W przypadku odrzucenia roszczenia gwarancyjnego, produkt jest odsyłany do miejsca nadania na koszt adresata.
6. Usterki ujawnione w okresie gwarancji będą usunięte przez Centralny Serwis Gwarancyjny w terminie:
  - a) 14 dni roboczych od daty przyjęcia produktu przez Centralny Serwis Gwarancyjny;
  - b) termin usunięcia wady (punkt 6 a) może być wydłużony o czas niezbędny do importu niezbędnych części zamiennych.
7. Klient otrzyma nowy sprzęt, jeżeli:
  - a) Centralny Serwis Gwarancyjny stwierdzi na piśmie, że usunięcie wady jest niemożliwe;
  - b) produkt nie podlega naprawie, tylko wymianie bez dokonywania naprawy.

8. O ile taki sam produkt jest nieosiągalny, może być wydany nowy produkt o niegorszych parametrach.
9. Decyzja Centralnego Serwisu Gwarancyjnego odnośnie zasadności zgłaszanych usterek jest decyzją ostateczną.
10. Gwarancją nie są objęte:
  - a) wadliwe działanie lub uszkodzenia spowodowane niewłaściwym użytkowaniem lub używaniem produktu niezgodnie z przeznaczeniem, instrukcją obsługi lub przepisami bezpieczeństwa;
  - b) wadliwe działanie lub uszkodzenia spowodowane przeciążaniem narzędzia, które prowadzi do uszkodzeń silnika, przekładni lub innych elementów a także stosowaniem osprzętu innego niż zalecany przez Black&Decker;
  - c) mechaniczne uszkodzenia produktu i wywołane nimi wady;
  - d) wadliwe działanie lub uszkodzenia na skutek działania pożaru, powodzi, czy też innych klęsk żywiołowych, korozji, normalnego zużycia w eksploatacji czy też innych czynników zewnętrznych;
  - e) produkty, w których naruszone zostały plomby gwarancyjne lub, które były naprawiane poza Centralnym Serwisem Gwarancyjnym lub były przerabiane w jakikolwiek sposób;
  - f) osprzęt eksploatacyjny dołączony do urządzenia, taki jak: wiertła, tarcze pilarskie, tarcze szlifierskie, końcówki wkręcające, noże strugarskie, brzeszczoty, papier ścierny i inne elementy ulegające naturalnemu zużyciu.
11. Centralny Serwis Gwarancyjny, firmy handlowe, które sprzedały produkt, nie udzielają upoważnień ani gwarancji innych niż określone w karcie gwarancyjnej. W szczególności nie obejmują prawa Klienta do domagania się zwrotu utraconych zysków w związku z uszkodzeniem produktu.

**Centralny Serwis Gwarancyjny ERPATECH**  
 ul. Obozowa 61, 01-418 Warszawa  
 tel.: (22) 862-08-08, fax: (22) 862-08-09

## Použitie výrobku

Vaša priamočiara píla Black & Decker je určená na rezanie dreva, plastov a plechov. Tento výrobok je určený len na spotrebiteľské použitie.

## Bezpečnostné predpisy

**Varovanie!** Prečítajte si všetky pokyny.

Nedodržanie nižšie uvedených pokynov môže mať za následok úraz elektrickým prúdom, vznik požiaru alebo vážne poranenie. Označenie elektrické náradie vo všetkých nižšie uvedených upozorneniach odkazuje na vaše náradie napájané zo siete (obsahuje napájací prívodný kábel) alebo náradie napájané batériami (bez napájacieho kábla).

USCHOVAJTE TIETO POKYNY.

### 1. Pracovný priestor

**a. Pracovný priestor udrzte v čistote a dobre osvetlený.** Neporiadok na pracovnom stole a nedostatok svetla v jeho okolí môže viesť k spôsobeniu nehody.

**b. Nepracuje s elektrickým náradím vo výbušnom prostredí, ako je prostredie s horľavými kvapalinami, plynmi alebo s výbušným prachom.** Náradie je zdrojom iskrenia, ktoré môže zapáliť prach alebo výpary.

**c. Pri práci s elektrickým náradím držte deti a okolité osoby z jeho dosahu.** Rozptyľovanie môže spôsobiť stratu kontroly nad náradím.

### 2. Elektrická bezpečnosť

**a. Zástrčka prívodného kábla náradia musí zodpovedať zásuvke. Nikdy akýmkoľvek spôsobom zástrčku neupravujte. Pri práci s uzemneným elektrickým náradím nikdy nepoužívajte zástrčkové adaptéry.** Neupravované zástrčky a zodpovedajúce zásuvky znižujú riziko vzniku úrazu elektrickým prúdom.

**b. Nedotýkajte sa uzemnených povrchov, ako sú napr. potrubia, radiátory, sporáky a chladničky.** Pri uzemnení vášho tela vzrastá riziko úrazu elektrickým prúdom.

**c. Náradie nevystavujte dažďu ani vlhkému prostrediu.** Pokiaľ do náradia vnikne voda, zvýši sa riziko úrazu elektrickým prúdom.

**d. S prívodným káblom zaobchádzajte opatrne. Nepoužívajte prívodný kábel na prenášanie náradia, ťahanie alebo vyťahovanie zástrčky zo zásuvky. Prívodný kábel držte mimo dosahu tepelných zdrojov,**

**oleja, ostrých hrán alebo pohyblivých častí.**

Poškodený alebo zapletený prívodný kábel zvyšuje riziko vzniku úrazu elektrickým prúdom.

**e. Pri práci s náradím vonku používajte predlžovacie káble určené na vonkajšie použitie.** Použitie kábla na vonkajšie použitie znižuje riziko úrazu elektrickým prúdom.

### 3. Bezpečnosť osôb

**a. Pri používaní elektrického náradia zostaňte pozorní, stále sledujte, čo robíte. Pracujte s rozvahou S náradím nepracujte pokiaľ ste unavení alebo pokiaľ ste pod vplyvom omamných látok, alkoholu alebo liekov.**

Chvilková nepozornosť pri práci s týmto náradím môže privodiť vážne zranenie.

**b. Používajte prostriedky na ochranu bezpečnosti.** Vždy používajte ochranu zraku. Bezpečnostné vybavenie ako sú respirátor, neklzáva bezpečnostná obuv, pevná prilba alebo ochrana sluchu, použité v zodpovedajúcich podmienkach, znižujú riziko vzniku úrazu.

**c. Zabráňte náhodnému zapnutiu.** Pred tým, ako náradie pripojíte do elektrickej zásuvky zabezpečte, aby bol hlavný vypínač vo vypnutej polohe. Prenášanie elektrického náradia s prstom na hlavnom spínači alebo pripojenie napájacieho kábla náradia k sieti, ak je hlavný vypínač v polohe zapnuté zvyšuje riziko nehody.

**d. Pred zapnutím náradia odpracte z pracovného priestoru nastavovacie kľúče.** Ponechané kľúče môžu byť zachytené rotujúcimi časťami náradia a môžu spôsobiť úraz.

**e. Neprekážajte sami sebe. Pri práci vždy udrzte vhodný a pevný postoj.** To umožní lepšiu ovládateľnosť náradia v neočakávaných situáciách.

**f. Vhodne sa obliekajte. Nenoste voľný odev alebo šperky. Dbajte na to, aby sa Vaše vlasy, odev a rukavice nedostali do kontaktu s pohyblivými časťami.** Voľný odev, šperky alebo dlhé vlasy môžu byť pohyblivými dielmi zachytené.

**g. Pokiaľ je zariadenie vybavené adaptérom na pripojenie zariadení na zachytávanie prachu, zaistite jeho správne pripojenie a riadne fungovanie.** Použitie týchto zariadení môže znížiť nebezpečenstvo týkajúce sa prachu.

#### 4. Použitie elektrického náradia a jeho údržba

- Na náradie priliš netlačte.** Používajte správny typ náradia pre vašu prácu. Pri použití správneho typu náradia bude práca vykonaná lepšie a bezpečnejšie.
- Pokiaľ nejde hlavný vypínač náradia zapnúť a vypnúť, s náradím nepracujte.** Akékoľvek náradie s nefunkčným hlavným vypínačom je nebezpečné a musí byť opravené.
- Pred nastavením, výmenou príslušenstva, alebo pred uskladnením náradia vyťahnite zástrčku privodného kábla zo zásuvky zdroja napätia.** Tieto preventívne bezpečnostné opatrenia znižujú riziko náhodného spustenia náradia.
- Pokiaľ náradie nepoužívate, uložte ho mimo dosahu detí a zabráňte osobám neoboznámeným s obsluhou náradia alebo s týmto návodom, aby s náradím pracovali.** Výkonné náradie je v rukách nekvalifikovanej obsluhy nebezpečné.
- Údržba náradia. Skontrolujte, či na náradí nie sú vychýlené alebo rozpojené pohyblivé časti, zlomené dielce alebo akékoľvek iné poruchy, ktoré môžu mať vplyv na jeho správny chod. Pokiaľ je náradie poškodené, nechajte ho opraviť.** Veľa nehôd býva spôsobených nedostatočnou údržbou náradia.
- Rezné nástroje udržujte ostré a čisté.** Riadne udržiavané rezné nástroje s ostrými reznými čepeľmi sa menej zanášajú a lepšie sa ovládajú.
- Náradie, príslušenstvo a nástavce používajte podľa týchto pokynov a spôsobom, ktorý je určený pre daný typ náradia. Berte do úvahy aj prevádzkové podmienky a prácu, ktorú je nutné vykonať.** Použitie náradia na iné účely, než na aké je určené, môže byť nebezpečné.

#### 5. Opravy

- Opravy by mali byť vykonávané kvalifikovanými servisnými mechanikmi s použitím originálnych náhradných dielov.** Tým zaistíte bezpečnú prevádzku náradia.

#### Elektrická bezpečnosť



Toto náradie je chránené dvojistou izoláciou; preto nie je nutné použitie zemniaceho vodiča. Vždy skontrolujte, či zdroj napätia zodpovedá napätiu na výkonovom štítku.

#### Ďalšie bezpečnostné pokyny týkajúce sa priamočiarých píľ

- Varovanie!** Pobyt v prašnom prostredí a vdychnutie prachu pri rezaní môže ohroziť zdravie obsluhy náradia a okolo stojacich osôb. Používajte masku proti prachu určenú špeciálne na ochranu pred toxickým prachom a podobnými splodinami a zaistite, aby boli takto chránené všetky osoby nachádzajúce sa alebo vstupujúce do pracovného priestoru.

#### Popis

Toto náradie je vybavené niektorými alebo všetkými nasledujúcimi prvkami.

- Hlavný vypínač
- Zaistovacie tlačidlo
- Regulátor plynulo nastaviteľných otáčok
- Volič režimu turbo
- Blokovacia páčka pílového listu
- Vodiaci valec pílového listu
- Pílový list
- Pätka píly
- Zaistenie pätky píly
- Úložný priestor na pílové listy
- Adaptér na odsávanie prachu

#### Montáž

**Varovanie!** Pred prevádzkaním akejkoľvek z nasledujúcich operácií sa uistite, či je náradie vypnuté, či je odpojený napájací kábel zo zásuvky a či sa už nepohybuje pílový list. Použitie pílové listy môžu byť horúce.

#### Montáž pílového listu (obr. A)

- Pílový list (7) uchopte podľa obrázku, ozubením smerom dopredu.
- Zatlačte páčku (5) dole.
- Zasuňte upínaciu stopku pílového listu čo najďalej do držiaka pílového listu (12).
- Uvoľnite páčku.

#### Pripojenie vysávača k náradiu (obr. B & C)

- Adaptér na odsávanie prachu (11) zarovnajte s pätkou píly podľa obrázku.
- Výstupky (14) vložte do výrezov (15).
- Otáčajte adaptérom tak, až bude vo svojej polohe zaistený. Uistite sa, či sú výstupky (16) riadne zasunuté.
- K adaptéru pripojte hubicu vysávača (13) (nie je súčasťou balenia).

Odsávanie prachových nečistôt nie je možné pokiaľ robíte šikmé rezy.

## Použitie

**Varovanie!** Náradie nepoužívajte v prípade, že je pätká píly uvoľnená alebo odmontovaná.

### Nastavenie pätky píly pri prevádzaní šikmých rezov (obr. D)

Pätku píly je možné nakloniť vľavo či vpravo až o 45°.

- Otočte zaistovacím gombíkom pätky píly (9) v smere A tak, aby bola pätká píly (8) uvoľnená.
- Vytiahnite pätku píly (8) smerom dozadu a nakloňte ju do požadovaného uhla. Uhol je možné skontrolovať pomocou stupnice alebo uhlomera.
- Zaisťovací gombík pätky píly (9) otočte v smere B tak, aby bola pätká píly vo svojej polohe zaistená.

Zarovnanie pätky píly pri prevádzaní rovných rezov:

- Otočte zaistovacím gombíkom pätky píly (9) v smere A tak, aby bola pätká píly (8) uvoľnená.
- Vytiahnite pätku píly smerom dozadu a nakloňte ju do uhla približne 0°.
- Zatlačte pätku píly smerom dopredu.
- Zaisťovací gombík pätky píly (9) otočte v smere B tak, aby bola pätká píly vo svojej polohe zaistená. Uistite sa, či je pätká píly podopretá vodiacimi lištami.

### Regulácia otáčok

- Nastavte regulátor otáčok (3) do polohy, ktorá bude zodpovedať požadovaným otáčkam. Vysokú rýchlosť používajte pri rezaní dreva, strednú rýchlosť pri rezaní hliníka a PVC a nízku rýchlosť na rezanie kovov okrem hliníka.

### Volič režimu turbo

- Na rýchle a účinné vykonávanie rezov do dreva nastavte volič režimu turbo (4) do polohy "max".
- Na prevedenie presných priamych a oblúkových rezov a na hladké zarovnávanie povrchov nastavte volič režimu turbo (4) do polohy "min".

### Zapnutie a vypnutie

- Ak chcete náradie zapnúť, stisnite hlavný spínač (1).
- Nepretržitý chod zaistíte stisnutím zaistovacieho tlačidla (2) a uvoľnením hlavného spínača.
- Ak chcete náradie vypnúť, uvoľnite hlavný spínač. Ak chcete vypnúť náradie, ktoré pracuje

v režime nepretržitého chodu, stlačte znovu hlavný vypínač a uvoľnite ho.

### Ako používať funkciu SightLine™ (obr. E)

- Ceruzkou si vyznačte líniu rezu.
- Pílu si umiestnite nad vyznačenú líniu (17). Sledovaním vyznačenej línie priamo zhora píly môžete jednoducho previesť vlastný rez. Pokiaľ by tomuto sledovaniu bolo z akéhokoľvek dôvodu zabránené, je možné ako alternatívu pre presné vedenie rezu použiť zárez (vrúbkovanie) (18).

### Rady na optimálne použitie prístroja

Rezanie vrstvených materiálov

Keďže lišta píly zaberá pri pohybe nahor, môžu sa na povrchu v blízkosti pätky objaviť piliny.

- Používajte pílové listy s jemnými zubami.
- Prevádzajte rezanie zo zadnej strany obrobku.
- Ak chcete obmedziť štiepenie materiálu, zovrite obrobok z oboch strán pomocou kúska dreva alebo sololitu a režte cez celú túto zostavu.

Rezanie kovu

- Pamätajte si, že rezanie kovu trvá omnoho dlhšie ako rezanie dreva.
- Používajte pílový list vhodný na rezanie kovu.
- Pri rezaní tenkých plechov pripevnite k spodnej strane obrobku kúsok dreva a režte cez celú túto zostavu.
- Naneste na predpokladanú čiaru rezu olejový film.

### Príslušenstvo

Výkon Vášho náradia závisí od použitého príslušenstva. Príslušenstvo Black & Decker a Piranha (okrem Austrálie a Nového Zélandu) je skonštruované na vysokej kvalitatívnej úrovni a je navrhnuté tak, aby zvýšilo výkonnosť Vášho náradia. Ak budete používať toto príslušenstvo, dosiahnete s Vaším náradím najlepšie pracovné výsledky.

V tomto náradí je možné používať pílové listy so stopkou v tvare U a T.

### Údržba

Vaše náradie Black & Decker bolo skonštruované tak, aby pracovalo čo najdlhšie s minimálnymi nárokmi na údržbu. Dlhodobá bezproblémová funkcia náradia závisí od jeho riadnej údržby a pravidelného čistenia.

- Vetracie otvory čistite pravidelne čistým a suchým maliarskym štetcom.



- Na čistenie náradia používajte iba mydlový roztok a navlhčenú handričku. Zabráňte vniknutiu akekoľvek kvapaliny do útrobov zariadenia a nikdy neponárajte akúkoľvek časť zariadenia do kvapaliny.
- Občas kvapnite kvapku oleja na os vodiaceho valca píloveho listu.

## Ochrana životného prostredia



Triedenie odpadu. Tento výrobok nesmie byť likvidovaný spolu s bežným komunálnym odpadom.

Pokiaľ nebudete prístroj ďalej používať alebo ak chcete prístroj nahradiť novým, nelikvidujte ho spolu s bežným komunálnym odpadom. Zlikvidujte tento prístroj v triedenom odpade.



Triedený odpad umožňuje recykláciu a opätovné využitie použitých výrobkov a obalových materiálov. Opätovné použitie recyklovaných materiálov pomáha zabrániť znečisteniu životného prostredia a znižuje dopyt po nových surovinách.

Miestne zberne odpadov, recyklačné stanice alebo predajne Vám poskytnú informácie o správnej likvidácii elektro odpadov z domácnosti.

Po ukončení životnosti výrobkov Black & Decker poskytuje spoločnosť Black & Decker možnosť recyklácie týchto výrobkov. Ak chcete tieto služby využiť, odovzdajte Váš nepoužívaný prístroj niektorému z autorizovaných servisných stredísk.

Kontakty na vaše regionálne strediská Black&Decker nájdete v tomto návode. Zoznam autorizovaných stredísk Black & Decker a všetky podrobnosti týkajúce sa popredajného servisu nájdete tiež na internetovej adrese:

**www.2helpU.com**

## Technické údaje

	KS999E	
Príkon	W	600
Počet zdvihov (bez záťaže)	min <sup>-1</sup>	800 - 3 200
Max. hĺbka rezu		
Drevo	mm	65
Oceľ	mm	4
Hliník	mm	10

## Prehlásenie o zhode

KS999E

Spoločnosť Black & Decker prehlasuje, že tento výrobok zodpovedá nasledujúcim normám: 98/37/EC, 89/336/EEC, EN 60745, EN 55014, EN 61000

$L_{pA}$  (akustický tlak) 86 dB(A),  $L_{WA}$  (akustický výkon) 97 dB(A), vibrácie prenášané na obsluhu 7,3 m/s<sup>2</sup>

$K_{pA}$  (nepresnosť akustického tlaku): 3 dB(A),  
 $K_{WA}$  (nepresnosť akustického výkonu) 3 dB(A)

Kevin Hewitt  
 Technický a vývojový riaditeľ  
 Spennymoor, County Durham  
 DL16 6JG, Veľká Británia  
 1-6-2004



## Politika služieb zákazníkom

Spokojnosť zákazníka s výrobkom a servisom je náš najvyšší cieľ.

Kedykoľvek budete potrebovať radu či pomoc, obráťte sa s dôverou na náš najbližší servis Black&Decker, kde Vám vyškolený personál poskytne naše služby na najvyššej úrovni.

## Záruka Black&Decker 2 roky

Blahoželáme Vám k zakúpeniu tohto kvalitného výrobku Black&Decker.

Náš záväzok ku kvalite zahŕňa v sebe samozrejme tiež naše služby zákazníkom.

Preto ponúkame záručnú dobu ďaleko presahujúcu minimálne požiadavky vyplývajúce zo zákona.

Kvalita tohto prístroja nám umožňuje ponúknuť Vám **2 ročnú záruku istoty**. Ak sa objavia akékoľvek materiálové, alebo výrobné chyby v priebehu 24 mesiacov od zakúpenia prístroja, ručíme za ich bezplatné odstránenie, prípadne, podľa nášho uváženia, bezplatnú výmenu prístroja za nasledujúcich podmienok:

- Prístroj bude dopravený (spolu s originálnym záručným listom Black&Decker a s dokladom o nákupe), do jedného z poverených servisných stredísk Black&Decker, ktoré sú autorizované na vykonávanie záručných opráv.
- Prístroj bol používaný iba s originálnym príslušenstvom alebo prídavnými zariadeniami a príslušenstvom BBW či Piranha, ktoré je vyslovene odporúčané ako vhodné na použitie spolu s prístrojom Black&Decker.
- Prístroj bol používaný a udržiavaný v súlade s návodom na obsluhu.
- Prístroj nevykazuje žiadne príčiny poškodenia spôsobené opotrebovaním.

Naviac servis Black&Decker poskytuje na všetky vykonávané prevedené opravy a vymenené náhradné diely ďalšiu servisnú záručnú dobu v trvaní 6 mesiacov.

Záruka sa nevzťahuje na spotrebné príslušenstvo (vrtáky, skrutkovacie nástavce, pílové kotúče, hobľovacie nože, brúsne kotúče, pílové listy, brúsny papier a pod.) ani na príslušenstvo prístroja poškodené opotrebovaním.

Toto náradie nie je vhodné pre profesionálne použitie.

## Black&Decker

Stará Vajnorská cesta 16  
832 44 Bratislava

Tel.: 02 492 41 394, 02 446 38 121

Fax: 02 492 41 390

informacie@blackanddecker.sk

Právo na prípadné zmeny vyhradené.

03/2005



## Область применения

Ваш электрический лобзик Black&Decker (далее в тексте также использован краткий термин - электролобзик) предназначен для пиления древесины, пластмассы, и листового металла. Данный электроинструмент не предназначен для профессионального применения, предусмотрено только его бытовое использование.

## Правила безопасности при работе с электроинструментом

**Внимание!** Прочтите данное руководство по эксплуатации полностью. Несоблюдение мер, указанных в данном руководстве по эксплуатации, может привести к поражению электрическим током, возникновению пожара или к получению серьезной травмы. Термин „электроинструмент“ во всех приведенных ниже указаниях относится к Вашему электроинструменту.  
БЕРЕЖНО ХРАНИТЕ ДАННОЕ РУКОВОДСТВО ПО ЭКСПЛУАТАЦИИ ДЛЯ ПОСЛЕДУЮЩЕГО ОБРАЩЕНИЯ К НЕМУ.

### 1. Рабочее место

- a. **Рабочее место должно быть чистым и достаточно освещенным.** Беспорядок на рабочем месте и его плохое освещение может привести к несчастному случаю.
- b. **Не работайте с электроинструментом во взрывчатой среде, например, вблизи легко воспламеняющихся жидкостей, газов или пыли.** Электроинструмент создает искровые разряды, которые могут воспламенить горючие пары или пыль.
- c. **Следите, чтобы дети и посторонние люди находились подальше от работающего электроинструмента.** Различные отвращения могут вызвать у Вас потерю контроля над рабочим процессом.

### 2. Электробезопасность

- a. **Вилка кабеля подключения к электросети электроинструмента должна соответствовать штепсельной розетке. Ни в коем случае не видоизменяйте вилку кабеля подключения к электросети! Ни в коем случае не используйте штепсельные вилки-переходники, если в силовом кабеле электроинструмента есть провод заземления!** Использование оригинальной вилки кабеля подключения

к электросети и соответствующей ей штепсельной розетки уменьшает риск поражения электрическим током.

- b. **При подключенном к штепсельной розетке электроинструменте, избегайте контактов частей тела с заземленными объектами и предметами (например, трубопроводами, радиаторами отопления, электроплитами), также с подключенными к электросети электроприборами (например, холодильниками).** Риск поражения электрическим током увеличивается, если Ваше тело заземлено.
  - c. **Не используйте электроинструмент под дождем или в сырых местах.** Проникновение воды в электроинструмент увеличивает риск поражения электрическим током.
  - d. **Берегите кабель подключения к электросети. Ни в коем случае не используйте кабель подключения к электросети для переноски электроинструмента или для вытягивания его вилки из штепсельной розетки!** Оберегайте кабель подключения к электросети от высокой температуры, нефтепродуктов и острых кромок, также от движущихся частей электроинструмента. Поврежденный или запутанный кабель подключения к электросети увеличивает риск поражения электрическим током.
  - e. **При работе с электроинструментом на открытом воздухе используйте удлинительный кабель, предназначенный для таких условий работы (в брызгозащищенном исполнении).** Использование пригодного для эксплуатации на открытом воздухе удлинителя уменьшает риск поражения электрическим током.
3. **Личная безопасность**
    - a. **Будьте собраны и ответственны, руководствуйтесь здравым смыслом при работе с электроинструментом. Не используйте электроинструмент, если Вы устали, так же если находитесь под влиянием алкоголя или понижающих реакцию лекарственных и других средств.** Малейшая неосторожность при работе с электроинструментом может привести к серьезной травме.

- b. Используйте индивидуальную защиту. Работайте всегда в защитной маске (защитных очках).** Использование в зависимости от условий эксплуатации электроинструмента таких средств защиты, как пылезащитная маска, крепкие нескользящие ботинки, защитный шлем, средства защиты органов слуха (например, наушники или беруши), уменьшает риск получения травмы.
- c. Избегайте непреднамеренного пуска. Следите, чтобы перед включением электроинструмента клавиша пусковой выключателя находилась в нерабочем положении.** Несчастный случай может произойти при переноске электроинструмента с пальцем на клавише выключателя или при соединении с электросетью включенного электроинструмента.
- d. Перед включением электроинструмента удалите с него (из него) регулировочные и крепежные инструменты (ключи и т.д.).** Гаечный или регулировочный ключ, оставленный на движущейся части электроинструмента, может нанести ранение.
- e. Не споткнитесь! Выберите удобное, устойчивое, постоянно контролируемое Вами положение.** Это позволит надежно управлять электроинструментом в неожиданных ситуациях.
- f. Правильно одевайтесь. Во время работы не носите свободную одежду и украшения. Избегайте контактов ваших волос, одежды и, в первую очередь, пальцев рук с движущимися частями электроинструмента.** Свободная одежда, украшения или длинные волосы могут быть захвачены движущимися частями электроинструмента.
- g. Если в комплект поставки Вашего электроинструмента входит устройство для присоединения к пылеотводу или пылесборник, установите его и используйте по назначению.** Использование этих устройств уменьшает опасность, связанную с воздействием пыли.
- 4. Использование электроинструмента по назначению и техническое обслуживание**
- a. Не перегружайте электроинструмент. Используйте электроинструмент только по назначению, указанному в данном руководстве по эксплуатации.** Электроинструмент работает надежно и безопасно только при соблюдении параметров, указанных в его технических характеристиках.
- b. Не используйте электроинструмент, если пусковой выключатель не устанавливается в положение включения или выключения.** Электроинструмент, не управляемый пусковым выключателем, опасен и должен быть отремонтирован.
- c. Перед любыми видами работ по регулированию электроинструмента и замене принадлежностей, также перед хранением вынимайте вилку кабеля подключения к электросети из штепсельной розетки.** Эта мера предосторожности исключает непреднамеренный пуск электроинструмента.
- d. Храните неиспользуемый электроинструмент в недоступном для детей месте. Не разрешайте пользоваться электроинструментом людям, не умеющим им пользоваться или не ознакомившимся с данным руководством по эксплуатации.** Электроинструмент опасен в руках неопытных пользователей.
- e. Содержите электроинструмент в безупречном состоянии. Проверяйте точность совмещения и легкость перемещения подвижных деталей, также целостность деталей воздействующих на его работу. Ремонтируйте поврежденный электроинструмент до его использования.** Большинство несчастных случаев происходит при использовании электроинструмента, находящегося в плохом состоянии.
- f. Сменный режущий инструмент должен быть геометрически правильным и чистым.** Геометрически правильный и остро заточенный режущий инструмент, делает Вашу работу производительной и безопасной.
- g. Используйте электроинструмент, принадлежности и сменные режущие инструменты только по назначению, указанному в данном руководстве по эксплуатации, соблюдая также приведенные в его технических характеристиках параметры.**

Использование электроинструмента в других целях может привести к нежелательным последствиям.

## 5. Ремонт

- а. Ремонт электроинструмента производится только в авторизованном сервисном центре, с использованием только оригинальных запасных частей.**  
Это обеспечит Вашу безопасность при дальнейшей эксплуатации электроинструмента.

### Дополнительная электробезопасность



Данный электролобзик защищен двойной электроизоляцией, исключая потребность в заземляющем проводе. Следите за напряжением электрической сети, оно должно соответствовать величине, обозначенной на информационной табличке электролобзика.

### Дополнительные меры безопасности при работе с электрическим лобзиком

- **Внимание!** Контакт с пылью или вдыхание пыли, образующейся в процессе работы, может угрожать здоровью пользователя и находящихся рядом людей. Для защиты от пыли, также от возможных испарений смазочных материалов надевайте пылезащитную маску. Люди, работающие или находящиеся рядом с Вами, также должны быть обеспечены индивидуальной защитой.

### Составные части

Ваш электролобзик может содержать все или некоторые из перечисленных составных частей:

1. Клавиша пускового выключателя
2. Кнопка фиксации пускового выключателя
3. Диск поворотного регулятора частоты ходов
4. Турбо-переключатель
5. Рычаг фиксации пыльного полотна
6. Ролик опорный пыльного полотна
7. Полотно пыльное
8. Подошва
9. Фиксатор подошвы
10. Отсек для хранения пыльных полотен
11. Патрубок пылеотвода

### Сборка

**Внимание!** Перед началом любых указанных ниже работ, убедитесь, что электролобзик

выключен и отсоединен от электросети, а пыльное полотно неподвижно! Сразу после пиления пыльное полотно может оставаться горячим.

### Установка пыльного полотна (Рис. А)

- Держите пыльное полотно (7) в направлении зубьями вперед, как показано на рисунке.
- Направьте рычаг (5) вниз.
- Вставьте пыльное полотно до упора в пилкодержатель (12).
- Отпустите рычаг.

### Присоединение пылесоса (Рис. В и С)

- Совместите патрубок пылеотвода (11) с подошвой, как показано на рисунке.
- Направьте ребра (14) в прорези (15).
- Поверните патрубок пылеотвода до ощущаемой фиксации. Убедитесь, что ребра (16) находятся на своем месте.
- Присоедините шланг (13) пылесоса к патрубку пылеотвода (шланг в комплект поставки не входит). При пилении под углом пылеотвод не возможен.

### Эксплуатация

**Внимание!** Ни в коем случае не используйте электролобзик, если подошва не зафиксирована или отсутствует!

### Установка подошвы для пиления под углом (Рис. D)

Подошву можно установить под левым или правым углом в пределах 45°.

- Чтобы ослабить подошву (8), поверните фиксатор (9) в направлении А.
- Передвиньте подошву (8) назад, и поверните ее на необходимый угол. Для проверки угла можно использовать градуированную шкалу или угольник.
- Поверните фиксатор (9) подошвы в направлении В, чтобы зафиксировать подошву на своем месте.

Чтобы повторно установить подошву для пиления под прямым углом, поступите следующим образом:

- Чтобы ослабить подошву (8), поверните фиксатор (9) в направлении А.
- Передвиньте подошву назад, и установите ее на угол приблизительно 0°.
- Передвиньте подошву вперед.
- Поверните фиксатор (9) подошвы в направлении В, чтобы зафиксировать подошву на своем месте. Убедитесь, что подошва опирается направляющими ребрами.

### Предварительный выбор частоты ходов

- Поворачивая диск (3), установите необходимую частоту ходов пильного полотна. Используйте большую частоту ходов для древесины, среднюю - для алюминия и поливинилхлорида, низкую - для металлов, не содержащих алюминий.

### Турбо-переключатель

- Для выполнения быстрого прямого реза в древесине, установите турбо-переключатель (4) в положение „max“.
- Для выполнения аккуратного прямого реза, также для пиления по кривой и пиления гладкой поверхности, установите турбо-переключатель (4) в положение „min“.

### Включение и выключение

- Для включения электролобзика, нажмите клавишу пускового выключателя (1). Чем глубже Вы вдавливаете клавишу, тем больше частота вращения электродвигателя электролобзика.
- Для непрерывного режима работы нажмите кнопку (2) фиксации пускового выключателя. После этого клавишу пускового выключателя можно отпустить. Данная функция работает только при максимальной частоте вращения.
- Для выключения электролобзика, отпустите клавишу пускового выключателя. Для выключения при непрерывном режиме работы, нажмите и отпустите клавишу пускового выключателя.

### Использование функции „Линия визирования“ (SightLine™) (Рис. Е)

- Начертите карандашом на заготовке линию реза.
- Установите электролобзик на линию реза (17).

Если смотреть на электролобзик сверху, можно легко отслеживать линию реза. Если по какой-либо причине этот вид будет закрыт, для отслеживания линии можно использовать вырез (18).

### Рекомендации по оптимальному использованию

Пиление многослойного материала  
Т.к. пильное полотно электролобзика производит пиление при движении снизу вверх, возможно скалывание краев распила прилегающей к подошве поверхности.

- Используйте пильное полотно с мелкими зубьями.

- Пилите, располагая обрабатываемую заготовку лицевой стороной вниз.
- Для уменьшения скола кромок распила, положите по обе стороны обрабатываемой заготовки обрезки древесины или твердого картона, и пилите все это как многослойный материал.

### Пиление металла

- Помните, пиление металла занимает гораздо больше времени, чем пиление древесины.
- Используйте для пиления металла специально предназначенные для этого пильные полотна.
- При пиление тонкого листового металла, прижмите обрезок древесины к обратной поверхности заготовки и пилите все это как многослойный материал.
- Предварительно нанесите тонкий слой смазки на предполагаемую линию распила.

### Принадлежности

Производительность Вашего электролобзика в значительной степени зависит от используемых принадлежностей. Принадлежности Black&Decker и Piranha изготовлены в соответствии с самыми высокими стандартами и способны увеличить производительность Вашего электролобзика. Используя эти принадлежности, Вы достигнете наилучших результатов.

Данный электролобзик подходит для пильных полотен как с U-образным, так и с T-образным хвостовиком.

### Техническое обслуживание

Ваш электрический лобзик рассчитан на работу в течение продолжительного периода времени при минимальном техническом обслуживании. Срок службы и надежность электролобзика увеличивается при правильном уходе и регулярной чистке.

- Регулярно очищайте вентиляционные прорези электролобзика сухой, чистой малярной кистью.
- Используйте для чистки электролобзика только слабый мыльный раствор и влажную ткань. Ни в коем случае не допускайте попадания в электролобзик жидкости, и ни в коем случае не окунайте электролобзик или его части в жидкость!
- Периодически смазывайте ось опорного ролика пильного полотна одной каплей машинного масла.

## Защита окружающей среды



Если Вы захотите заменить Ваш электроинструмент Black&Decker другим или Вы больше в нем не нуждаетесь, подумайте о защите окружающей среды.



Сервисные центры Black&Decker примут у Вас электроинструмент с гарантией его уничтожения безопасным для окружающей среды способом.

### Технические характеристики

#### KS999E

Потребляемая мощность	Вт	600
Частота ходов (на холостом ходу)	мин <sup>-1</sup>	800...3200
Максимальная глубина пиления:		
Древесина	мм	65
Сталь	мм	4
Алюминий	мм	10

### Декларация соответствия ЕС.

KS999E

Black&Decker заявляет о том, что данный электрический инструмент разработан в полном соответствии со стандартами:

98/37/ЕС, 89/336/ЕЕС, EN 60745, EN 55014, EN 61000.

$L_{pA}$  (звуковое давление) 86 дБ,  
 $L_{WA}$  (акустическая мощность) 97 дБ,  
 измеренная вибрация на рукоятке <7,3 м/с<sup>2</sup>.

$K_{pA}$  (погрешность измерения звукового давления) 3 дБ,

$K_{WA}$  (погрешность измерения акустической мощности) 3 дБ.

Кевин Хьюитт  
(Kevin Hewitt)

Директор департамента проектирования  
 Spennymoor, County Durham DL16 6JG,  
 United Kingdom  
 1-6-2004

## БЛЭК ЭНД ДЕККЕР

гарантийные условия

Уважаемый покупатель!

1. Поздравляем Вас с покупкой высококачественного изделия БЛЭК ЭНД ДЕККЕР и выражаем признательность за Ваш выбор.
- 1.1. Надежная работа данного изделия в течение всего срока эксплуатации - предмет особой заботы наших сервисных служб. В случае возникновения каких-либо проблем в процессе эксплуатации изделия рекомендуем Вам обращаться только в авторизованные сервисные организации, адреса и телефоны которых Вы сможете найти в Гарантийном талоне или узнать в магазине. Наши сервисные станции - это не только квалифицированный ремонт, но и широкий выбор запчастей и принадлежностей.
- 1.2. При покупке изделия требуйте проверки его комплектности и исправности в Вашем присутствии, инструкцию по эксплуатации и заполненный Гарантийный талон на русском языке. При отсутствии у Вас правильно заполненного Гарантийного талона мы будем вынуждены отклонить Ваши претензии по качеству данного изделия.
- 1.3. Во избежание недоразумений убедительно просим Вас перед началом работы с изделием внимательно ознакомиться с инструкцией по его эксплуатации.
- 1.4. Обращаем Ваше внимание на исключительно бытовое назначение данного изделия.
2. Правовой основой настоящих гарантийных условий является действующее Законодательство и, в частности, Закон "О защите прав потребителей".
3. Гарантийный срок на данное изделие составляет 24 месяца и исчисляется со дня продажи через розничную торговую сеть. В случае устранения недостатков изделия, гарантийный срок продлевается на период, в течение которого оно не использовалось.
4. Срок службы изделия - 5 лет (минимальный, установленный в соответствии с Законом "О защите прав потребителей").
5. Наши гарантийные обязательства распространяются только на неисправности, выявленные в течение гарантийного срока и обусловленные производственными и конструктивными факторами.
6. Гарантийные обязательства не распространяются:
  - 6.1. На неисправности изделия, возникшие в результате:
    - 6.1.1. Несоблюдения пользователем предписаний инструкции по эксплуатации изделия.
    - 6.1.2. Механического повреждения, вызванного внешним ударным или любым иным воздействием.

- 6.1.3. Использования изделия в профессиональных целях и объемах, в коммерческих целях.
- 6.1.4. Применения изделия не по назначению.
- 6.1.5. Стихийного бедствия.
- 6.1.6. Неблагоприятных атмосферных и иных внешних воздействий на изделие, таких как дождь, снег, повышенная влажность, нагрев, агрессивные среды, несоответствие параметров питающей электросети указанным на инструменте.
- 6.1.7. Использования принадлежностей, расходных материалов и запчастей, не рекомендованных или не одобренных производителем.
- 6.1.8. Проникновения внутрь изделия посторонних предметов, насекомых, материалов или веществ, не являющихся отходами, сопровождающими применение по назначению, такими как стружка опилки и пр. .
- 6.2. На инструменты, подвергавшиеся вскрытию, ремонту или модификации вне уполномоченной сервисной станции.
- 6.3. На принадлежности, запчасти, вышедшие из строя вследствие нормального износа, и расходные материалы, такие как приводные ремни, угольные щетки, аккумуляторные батареи, ножи, пилки, абразивы, пыльные диски, сверла, буры и т. п. .
- 6.4. На неисправности, возникшие в результате перегрузки инструмента, повлекшей выход из строя электродвигателя или других узлов и деталей. К безусловным признакам перегрузки изделия относятся, помимо прочих: появление цветов побежалости, деформация или оплавление деталей и узлов изделия, потемнение или обугливание изоляции проводов электродвигателя под воздействием высокой температуры.



Блэк энд Деккер ГмбХ, Блэк энд Деккер  
Штрассе, 40, 65510 Идштайн, Германия.

03 июня 1999 г.



## Область застосування

Ваш електричний лобзик виробництва компанії Black & Decker розроблений для розпилювання деревини, пластику та листового металу.

Інструмент призначений лише для побутового використання.

## Загальні правила безпеки

**Попередження!** Прочитайте всі інструкції.

Невиконання всіх інструкцій, що наведені нижче, може призвести до ураження електричним струмом, пожежі та/або серйозних травм. Термін "електричний інструмент" в усіх попередженнях, перерахованих нижче, стосується використовуваних Вами інструментів, що працюють від мережі енергоспоживання (з використанням електричного кабелю) або акумуляторів (без кабелю). **ЗБЕРІГАЙТЕ ЦІ ІНСТРУКЦІЇ**

### 1. Робоча зона

- a. **Тримайте робочу зону чистою та добре освітленою.** Неупорядковані та темні робочі зони збільшують ймовірність нещасного випадку.
- b. **Не використовуйте електричний інструмент у вибухонебезпечних умовах, наприклад, в присутності вогнебезпечних рідин, газів чи пилу.** Електричні інструменти створюють іскри, що можуть запалити пил або випаровування вогнебезпечних речовин.
- c. **Тримайте дітей та сторонніх подалі під час використання механізованого інструменту.** Відвернення уваги може призвести до втрати контролю над інструментом.

### 2. Електрична безпека

- a. **Розетка має відповідати вилці електричного інструменту. Ніколи ніяким чином не модифікуйте розетку. Не використовуйте ніяких адаптерів з заземленими інструментами.** Немодифіковані вилки та розетки, що підходять до них, зменшують ризик ураження електричним струмом.
- b. **Уникайте контакту тіла з заземленими поверхнями, такими як труби, радіатори, плити та холодильники.** Якщо Ваше тіло заземлене, ризик ураження електричним струмом збільшується.
- c. **Не залишайте електричні інструменти під дощем або в умовах підвищеної**

**вологості.** Вода, що потрапляє в електричний інструмент, підвищує ризик ураження електричним струмом.

- d. **Не використовуйте кабель інструменту не за призначенням. Ніколи не використовуйте кабель інструменту для переносу, витягнення або відключення електричного інструменту. Тримайте кабель інструменту подалі від джерел високих температур, мастила, гострих предметів та рухомих деталей.** Ушкоджений або заплутаний кабель інструменту підвищує ризик ураження електричним струмом.
  - e. **При використанні електричного інструменту на вулиці, використовуйте подовжуючий кабель, що підходить для використання на вулиці.** Використання кабелю, що підходить для вулиці, знижує ризик ураження електричним струмом.
- ### 3. Особиста безпека
- a. **Будьте в стані готовності, дивіться, що ви робите, та використовуйте загальний глузд, коли ви працюєте з електричним інструментом. Не використовуйте електричний інструмент, коли ви втомлені або знаходитесь під впливом наркотичних речовин, алкоголю або ліків.** Втрата уваги при роботі з електричними інструментами може призвести до серйозних травм.
  - b. **Використовуйте засоби безпеки. Завжди використовуйте засоби захисту очей.** Засоби безпеки, такі як протипилова маска, неслизькі безпечні чоботи, твердий капелюх та засоби захисту слуху, які використані для відповідних умов, зменшують ймовірність особистих травм.
  - c. **Уникайте випадкового пуску. Переконайтеся, що вмикач знаходиться в позиції "Вимкнено" перед тим, як вмикати інструмент в мережу живлення.** Перенос механізованих інструментів, не відпускаючи пальця з вмикача, або ввімкнення механізованого інструменту з перемикачем в позиції "Ввімкнено" може призвести до нещасного випадку.
  - d. **Зніміть всі налаштувальні ключі або гайкові ключі перед тим, як вмикати електричний інструмент.** Гайковий ключ, який залишився прикріпленим до якоїсь деталі електричного пристрою, що обертається, може призвести до травм.

- e. **Не перенапружуйтеся.** Завжди підтримуйте правильну постановку ніг та рівновагу. Це дозволяє тримати електричний інструмент під кращим контролем в несподіваних ситуаціях.
  - f. **Вдягайтеся відповідним чином. Не вдягайте вільний одяг чи прикраси.** Тримайте ваше волосся, одяг та рукавички подалі від рухомих деталей.
  - g. **Вільний одяг, прикраси або довге волосся може зачепитися за рухомі деталі.**
  - g. **Якщо передбачені пристрої для підключення до засобів видилення та збирання пилу, переконайтеся, що вони правильно підключені та використовуються.** Використання таких пристроїв зменшує ризик виникнення небезпечних ситуацій, що пов'язані з потраплянням пилу до інструменту.
- 4. Використання та догляд за електричним інструментом**
- a. **Не використовуйте надмірні зусилля при роботі з інструментом.** Використовуйте відповідний електричний інструмент для вашої задачі. Правильно обраний інструмент виконає завдання краще та безпечніше за умов, для яких він був розроблений.
  - b. **Не використовуйте механізований інструмент, вмикач якого не справний.** Будь-який електричний інструмент, в якого не справний вмикач, є небезпечним і має бути відремонтований.
  - c. **Відключіть вилку інструменту від джерела живлення перед тим, як робити будь-які налаштування, зміни додаткового обладнання, чи зберігання механізованого пристрою.** Ці профілактичні заходи зменшують ризик випадкового запуску електричного інструменту.
  - d. **Бережіть вимкнені електричні інструменти від дітей та не дозволяйте особам, що не знайомі з електричним інструментом або чий інструкціїми використовувати електричний інструмент.** Електричні інструменти є небезпечними, якщо вони використовуються некваліфікованими користувачами.
  - e. **Технічне обслуговування електричних інструментів.** Перевіряйте на відсутність неспівпадання або заїдання рухомих

деталей, ушкоджених частин та інших умов, що можуть впливати на роботу електричного інструменту. Якщо є ушкодження, відремонтуйте механізований інструмент перед використанням. Багато нещасних випадків є результатом того, що інструмент не пройшов відповідного технічного обслуговування.

- f. **Тримайте ріжучі інструменти гострими та чистими.** Правильно доглянуті ріжучі інструменти з гострими ріжучими кромками мають меншу ймовірність заїдання, та ними легше керувати.
  - g. **Використовуйте електричний інструмент, витратні матеріали та деталі інструменту тощо у відповідності до цих інструкцій та відповідно до даного типу електричних інструментів, зважаючи на умови використання та роботу, яка має бути виконана.** Використання електричних інструментів не за призначенням може призвести до виникнення небезпечних ситуацій.
- 5. Обслуговування**
- a. **Надавайте Ваш електричний інструмент для обслуговування кваліфікованим спеціалістом з ремонту та використовуйте тільки ідентичні оригінальні замінні деталі.** Це забезпечить безпеку електричного пристрою, що обслуговується.

#### Електрична безпека



Цей інструмент має подвійну ізоляцію; тому заземлення не є необхідним. Завжди перевіряйте, що напруга джерела живлення відповідає напрузі, що вказана на табличці з паспортними даними інструменту.

#### Додаткові інструкції з техніки безпеки для ножівок

- **Попередження!** Контакт або вдихання пилу від ріжучого обладнання є небезпечним для здоров'я оператора та людей, що знаходяться поблизу. Вдягайте протипиловий респіратор, що розроблено для захисту від пилу та випаровувань та переконайтеся, що люди в робочій зоні та люди, що потрапляють в робочу зону добре захищені.

## Деталі

Цей інструмент має деякі чи всі деталі з нижче вказаних.

1. Вимикач
2. Кнопка захвату
3. Регулятор змінної швидкості
4. Селектор прискороного режиму
5. Важіль блокування полотна ножівки
6. Опорний ролик полотна ножівки
7. Полотно пилки
8. Опорна плита
9. Кнопка блокування опорної пластини
10. Камера для зберігання полотен ножівки
11. Адаптер пиловловлювання

## Зборка

**Попередження!** Перед спробою виконати будь-яку з наступних операцій переконайтесь, що пристрій вимкнений та що полотно пилки зупинилось. Після використання полотна ножівки можуть бути гарячими.

### Встановлення ріжучого полотна (Рис. А)

- Тримайте ріжуче полотно (7) як показано, щоб зубці дивилися вперед.
- Штовхніть важіль (5) вперед.
- Встановіть стрижень ріжучого полотна у тримач полотна (12) настільки глибоко, наскільки це можливо.
- Відпустіть важіль.

### Під'єднання пилососу до інструменту (рис. В і С)

- Вирівняйте адаптер пиловловлювання (11) по основі ножівки, як показано.
- Вставте виступи (14) в отвори (15).
- Поверніть адаптер, поки він не буде заблокований у визначеній позиції. Переконайтесь, що виступи (16) встановлені коректно.
- Під'єднайте шланг пилососа (13) (не входить в комплект поставки) до адаптера.

Пиловловлювання неможливе при виконанні косих зрізів.

## Використання

**Попередження!** Ніколи не використовуйте ножівку, коли її основа незакріплена або знята.

### Налаштування нахиленого диску для косих зрізів (рис. D)

Опорна плита може бути встановлена для лівого чи правого кута фаски до 45°.

- Поверніть кнопку блокування (9) в напрямку А, щоб відпустити нахилений диск (8).
- Штовхніть нахилений диск (8) назад та встановіть його на необхідний кут. Ви можете використовувати лінійку або транспортир для перевірки кута.
- Поверніть кнопку блокування (9) в напрямку В, щоб заблокувати опорну пластину на відповідному місці.

Повторне налаштування опорної пластини для різки під прямим кутом:

- Поверніть кнопку блокування (9) в напрямку А, щоб відпустити нахилений диск (8).
- Потягніть опорну пластину назад та встановіть її на кут приблизно 0°.
- Штовхніть опорну пластину вперед.
- Поверніть кнопку блокування (9) в напрямку В, щоб заблокувати опорну пластину на відповідному місці. Переконайтесь, що опорна плита підтримується направляючими пристроями.

### Управління змінною швидкістю

- Встановіть ручку управління змінної швидкості (3) на необхідний діапазон швидкості. Загальним правилом є використання високої швидкості для деревини, середньої швидкості - для алюмінію та низької швидкості для інших металів.

### Селектор прискороного режиму

- Для виконання швидких та ефективних розрізів деревини встановіть селектор прискороного режиму (4) на "макс."
- Для виконання точних прямих та кривих розрізів та для отримання гладкої поверхні встановіть селектор прискороного режиму (4) на "мін."

### Вмикання та вимикання

- Для ввімкнення інструменту натисніть перемикач ввімкнено/вимкнено (1).
- Для безперервної роботи натисніть кнопку захвату (2) та відпустіть перемикач ввімкнено/вимкнено.
- Щоб вимкнути інструмент, відпустіть вимикач.
- Для вимкнення інструменту в режимі безперервної роботи, натисніть перемикач ввімкнено/вимкнено ще раз та відпустіть його.

## Як використовувати функцію SightLine™ (рис. Е)

- Використовуйте олівець для помітки лінії розрізання.
- Розмістіть ножівку над лінією (17).

Дивлячись на лінію безпосередньо над ножівкою, її можна легко побачити. Якщо через якісь причини Ви погано бачите цю лінію, можна використовувати надріз (18) в якості направляючої розрізу.

## Примітки для оптимального використання

### Розпилення ламінату

Оскільки ріжуче полотно ріже при верхньому ході, то може статись розщеплення поверхні, яка є найближчою до опорної пластини.

- Використовуйте ріжуче полотно з тонкими зубцями.
- Розпилуйте, починаючи з задньої поверхні матеріалу.
- Для зменшення розщеплення, прикріпіть шматки деревини чи твердої ДВП до обох сторін матеріалу та розпилуйте цей "сандвич".

### Розпилення металу

- Зверніть увагу на те, що розпилення металу займає набагато більше часу, ніж розпилення деревини.
- Використовуйте ріжуче полотно, що підходить для розпилення металу.
- При розрізанні тонкого листового металу закріпіть шматки деревини на задню поверхню матеріалу та розпилуйте цей "сандвич".
- Покрийте передбачену лінію розрізання шаром мастила.

## Витратні матеріали

Продуктивність роботи інструменту залежить від витратних матеріалів, які Ви використовуєте. Витратні матеріали виробництва фірм Black & Decker та Piranha (не для Австралії та Нової Зеландії) розроблені з дотриманням високих стандартів якості та створені для підвищення ефективності використання вашого інструменту. Використовуючи ці інструменти, Ви отримаєте максимум ефективності від вашого інструменту.

Цей інструмент підходить як для полотен з U-подібним хвостовиком, так і для полотен з T-подібним хвостовиком.

## Технічне обслуговування

Ваш інструмент призначений для роботи протягом довгого часу з мінімальним обслуговуванням. Постійна задовільна робота залежить від правильного догляду за інструментом та регулярної очистки.

- Регулярно очищуйте вентиляційний отвір за допомогою чистої сухої фарбувальної щітки.
- Для очищення інструменту використовуйте тільки м'яке мило та вологи ганчірку. Ніколи не дозволяйте будь-якій рідині потрапити всередину інструменту і ніколи не занурюйте деталі інструменту в рідину.
- Періодично додавайте краплю мастила на віс валика, що підтримує полотно.

## Захист навколишнього середовища



Цей виріб не має викидатися на смітник із звичайним побутовим сміттям.

Якщо якщо Ви вирішите, що ваш виріб фірми Black & Decker має бути замінено, або він Вам більше не потрібний, не викидайте його на смітник побутового сміття. Зробіть цей виріб доступним для окремого збору.



Окремий збір використаних виробів та упаковки дозволяє повторно переробляти та використовувати матеріали. Переробка повторно використаних матеріалів допомагає попередити забруднення навколишнього середовища та зменшує потребу в сировині.

Місцеві законодавчі акти можуть передбачати окремих збір електричного обладнання в муніципальних місцях для збору сміття або продавцями при покупці нового обладнання.

Компанія Black & Decker має можливість для збору та переробки продуктів власного виробництва після закінчення їхнього терміну служби. Щоб скористатися цією послугою, поверніть виріб компанії в один з офіційних сервісних центрів, які збирають відпрацьовані продукти за рахунок компанії.

Ви можете знайти місцезнаходження найближчого до Вас сервісного центру, зв'язавшись з місцевим офісом компанії Black & Decker за адресою, вказаною в цих інструкціях. Крім того, список офіційних сервісних центрів компанії Black & Decker

з усіма подробицями нашого післяпродажного обслуговування та контактною інформацією міститься в Інтернеті за адресою:

**www.2helpU.com.**

## Технічні дані

		<b>KS999E</b>
Споживана потужність	W	600
Кількість ходів (без навантаження)	хв <sup>-1</sup>	800 - 3,200
Максимальна глибина розпилення		
Дерево	мм	65
Сталь	мм	4
Алюміній	мм	10

## Заява про відповідність ЄС

KS999E

Компанія Black & Decker заявляє, що ці продукти відповідають наступним вимогам:  
98/37/EC, 89/336/EEC, EN 60745, EN 55014,  
EN 61000

$L_{pA}$  (звуковий тиск) 86 дБ(A),  $L_{wA}$  (звукова потужність) 97 дБ(A), вібрація при навантаженні на руку < 7,3 м/сек<sup>2</sup>

$K_{pA}$  (погрішність звукового тиску): 3 дБ(A),  
 $K_{wA}$  (погрішність акустичної потужності) 3 дБ(A)



Кевін Хьюїт  
(Kevin Hewitt)

Директор з виробництва  
побутової техніки

Спеннімуп, графство Дарем DL16 6JG,  
Великобританія  
1-6-2004

**БЛЕК ЕНД ДЕККЕР**

гарантійні умови

Шановний покупець!

1. Вітаємо Вас з покупкою високоякісного виробу компанії Black & Decker та виражаємо Вам свою вдячність за Ваш вибір.
- 1.1. Надійна робота цього виробу на протязі всього терміну експлуатації є предметом особливої турботи наших сервісних служб. У випадку виникнення якихось проблем в процесі експлуатації виробу ми рекомендуємо Вам звертатися лише в авторизовані сервісні організації, адреси та телефони яких Ви зможете знайти в Гарантійному талоні або дізнатися в магазині. Наші сервісні центри – це не тільки кваліфікований ремонт, але і широкий вибір запчастин та аксесуарів.
- 1.2. При покупці виробу вимагайте перевірки його комплекtnості та справності за Вашої присутності, наявності інструкції з експлуатації та заповненого Гарантійного талону на українській мові. За умов відсутності у Вас правильно заповненого Гарантійного талону ми будемо вимушені відхилити Ваші претензії щодо якості цього виробу.
- 1.3. Щоб уникнути всіх непорозумінь щиро просимо Вас перед початком роботи з виробом уважно ознайомитись з інструкцією щодо його експлуатації.
- 1.4. Звертаємо Вашу увагу на виключно побутове призначення цього виробу.
2. Правовою основою даних гарантійних умов є діюче Законодавство та, зокрема, Закон "Про захист прав споживачів".
3. Гарантійний термін на даний виріб складає 24 місяці та починається з дня продажу через роздрібну торгівлю мережу. У випадку усунення недоліків виробу гарантійний термін продовжується на період, протягом якого виріб не використовувався.
4. Термін служби виробу - 5 років (мінімальний, встановлений у відповідності до Закону "Про захист прав споживачів").
5. Наші гарантійні зобов'язання поширюються тільки на несправності, виявлені протягом гарантійного терміну та обумовлені виробничими та конструктивними факторами.
6. Гарантійні зобов'язання не поширюються:
  - 6.1. На несправності виробу, що виникли в результаті:
    - 6.1.1. Недотримання користувачем вказівок інструкції з експлуатації виробу.
    - 6.1.2. Механічних пошкоджень, викликаних зовнішнім ударним або іншим впливом.
    - 6.1.3. Використання виробу в професійних цілях та об'ємах, в комерційних цілях.
    - 6.1.4. Застосування виробу не за призначенням.
    - 6.1.5. Стихійного лиха.
    - 6.1.6. Несприятливому атмосферному та інших зовнішніх впливах на виріб, таких як дощ, сніг, підвищена вологість, нагрів, агресивні середовища, невідповідність параметрів електромережі параметрам, вказаним на інструменті.
    - 6.1.7. Використання аксесуарів, витратних матеріалів та запчастин, які не рекомендовані або не схвалені виробником.
    - 6.1.8. Проникнення всередину інструменту сторонніх предметів, комах, матеріалів або речовин, що не є відходами, які супроводжують використання інструменту за призначенням, наприклад, стружки, опилки та ін.
  - 6.2. На інструменти, що були відкриті, піддані ремонту або модифікації поза уповноваженою сервісною станцією.
  - 6.3. На принадлежності, запчастини, що вийшли з ладу внаслідок нормального зносу, та витратні матеріали, такі як, приводні ремені, вугільні щітки, акумуляторні батареї, ножі, пилки, абразиви, пильні диски, свердла, бури та ін.
  - 6.4. На несправності, які виникли в результаті перевантаження інструменту, що призвело до виходу з ладу електродвигуна або інших вузлів та деталей. До безумовних ознак перевантаження виробу належать, зокрема: поява кольорів мінливості, деформація або оплавлення деталей та вузлів виробу, потемніння або обвуглювання ізоляції дротів електродвигуна під впливом високої температури.

**03 червня 1999 р.**

## Kullanım amacı

Black & Decker dekupaj testeranız ahşap, plastik, seramik ve sac metal kesimi için tasarlanmıştır. Bu alet hafif hizmet ve hobi kullanımı için tasarlanmıştır.

## Genel güvenlik kuralları

Uyarı! Tüm talimatları okuyun. Aşağıda belirtilen tüm talimatlara uyulmaması elektrik çarpmasına, yangına ve/veya ciddi yaralanmaya neden olabilir. Aşağıda yer alan uyarılardaki “elektrikli alet” terimi şebeke elektrigiyle (kablolu) veya akü/pille (şarjlı) çalışan elektrikli aletinizi ifade etmektedir. BU TALİMATLARI SAKLAYIN.

### 1. Çalışma alanı

- Çalışma alanını temiz ve aydınlık tutun.** Karışık ve karanlık alanlar kazaya davetiye çıkarır.
- Elektrikli aletleri, yanıcı sıvılar, gazlar ve tozların bulunduğu yerler gibi yanıcı ortamlarda çalıştırmayın.** Elektrikli aletler, toz veya dumanları ateşleyebilecek kıvılcımlar çıkarır.
- Bir elektrikli aleti çalıştırırken çocuklardan ve etraftaki kişilerden uzak tutun.** Dikkatinizi dağıtıcı şeyler kontrolü kaybetmenize neden olabilir.

### 2. Elektrik güvenliği

- Elektrikli aletlerin fişleri prizlere uygun olmalıdır. Fiş üzerinde kesinlikle hiçbir değişiklik yapmayın. Topraklı elektrikli aletlerde hiçbir adaptör fişi kullanmayın.** Değiştirilmemiş fişler ve uygun prizler elektrik çarpması riskini azaltacaktır.
- Borular, radyatörler, ocaklar ve buzdolapları gibi topraklanmamış yüzeylerle vücut temasından kaçınınız.** Vücudunuzun topraklanması halinde yüksek bir elektrik çarpması riski vardır.
- Elektrikli aletleri yağmura maruz bırakmayın veya ıslatmayın.** Elektrikli alete su girmesi elektrik çarpması riskini arttıracaktır.
- Elektrik kablosunu uygun olmayan amaçlarla kullanmayın. Elektrikli aleti kesinlikle kablosundan tutarak taşımayın, çekmeyin veya prizden çıkartmayın. Kabloyu sıcaktan, yağdan, keskin kenarlardan veya hareketli parçalardan uzak tutun.** Hasarlı veya dolaşmış kablolar elektrik çarpması riskini artırır.
- Elektrikli bir aleti açık havada çalıştırıyorsanız, açık havada kullanıma**

**uygun bir uzatma kablosu kullanın.**

Açık havada kullanıma uygun bir kablunun kullanılması elektrik çarpması riskini azaltır.

### 3. Kişisel güvenlik

- Elektrikli bir aleti kullanırken her zaman dikkatli olun, yaptığınız işe konsantre olun ve sağduyulu davranın. Elektrikli bir aleti yorgunken veya ilaç ya da alkolün etkisi altındayken kullanmayın.** Elektrikli aletleri kullanırken bir anlık dikkatsizlik ciddi kişisel yaralanmayla sonuçlanabilir.
  - Güvenlik donanımları kullanın. Daima koruyucu gözlük takın.** Koşullara uygun toz maskesi, kaymayan güvenlik ayakkabıları, baret veya kulaklık kullanılması kişisel yaralanmaları azaltacaktır.
  - Aletin istem dışı çalıştırılmasını engelleyin. Elektrik şebekesine bağlamadan önce aletin kapalı olduğundan emin olun.** Aleti, parmağınız tetik üzerinde bulunacak şekilde taşımak veya açık durumdaki elektrikli aletleri elektrik şebekesine bağlamak kazaya davetiye çıkarır.
  - Elektrikli aleti açmadan önce tüm ayarlamaları anahtarlarını çıkartın.** Elektrikli aletin hareketli bir parçasına takılı kalmış bir anahtar kişisel yaralanmaya neden olabilir.
  - Ulaşmakta zorlandığınız yerlerde kullanmayın. Daima sağlam ve dengeli basın.** Bu, beklenmedik durumlarda elektrikli aletin daha iyi kontrol edilmesine olanak tanır.
  - Uygun şekilde giyinin. Bol elbiseler giymeyin ve takı takmayın. Saçınızı, elbiselerinizi ve eldivenlerinizi hareketli parçalardan uzak tutun.** Bol elbiseler ve takılar veya uzun saç hareketli parçalara takılabilir.
  - Eğer kullandığınız üründe toz emme ve üfleme özelliği olan adaptör varsa onun gerekli aletlere bağlanmasını ve doğru fonksiyonunu sağlayın.** Bu adaptörün kullanılması tozla ilgili tehlikeleri azaltabilir.
- ### 4. Elektrikli aletlerin kullanımı ve bakımı
- Elektrikli aleti zorlamayın. Uygulamanız için doğru elektrikli aleti kullanın.** Doğru elektrikli alet, belirlendiği kapasite ayarında kullanılacaksa daha iyi ve güvenli çalışacaktır.
  - Düğme açmıyor ve kapatmıyorsa elektrikli aleti kullanmayın.** Düğmeyle kontrol edilemeyen tüm elektrikli aletler tehlikelidir ve tamir edilmesi gerekmektedir.



c. **Herhangi bir ayarlama yapmadan, aksesuar değiştirmeden veya elektrikli aleti saklamak üzere kaldırmadan önce elektrik şebekesiyle olan bağlantısını kesin.** Bu tür önleyici güvenlik tedbirleri elektrikli aletin istem dışı olarak çalıştırılması riskini azaltacaktır.

d. **Elektrikli aleti, çocukların ulaşamayacağı yerlerde saklayın ve elektrikli aleti tanımayan veya bu talimatları bilmeyen kişilerin elektrikli aleti kullanmasına izin vermeyin.** Elektrikli aletler, eğitimsiz kullanıcıların elinde tehlikelidir.

e. **Elektrikli aletleri iyi durumda muhafaza edin. Hareketli parçalardaki hizalama hatalarını ve tutuklukları, parçalardaki kırılmalar ve elektrikli aletin çalışmasını etkileyebilecek tüm diğer koşulları kontrol edin. Hasarlı ise, elektrikli aleti kullanmadan önce tamir ettirin.** Kazaların çoğu, elektrikli aletlerin bakımının yeterli şekilde yapılmamasından kaynaklanır.

f. **Kesim aletlerini keskin ve temiz tutun.** Bakımı uygun şekilde yapılmış keskin kesim uçlu kesim aletlerinin sıkışma ihtimali daha düşüktür ve kontrol edilmesi daha kolaydır.

g. **Elektrikli aleti, aksesuarları, alet uçlarını vb. bu talimatlara göre ve elinizdeki elektrikli alet tipi için öngörüldüğü şekilde, çalışma koşullarını ve yapılacak işi dikkate alarak kullanın.** Elektrikli aletin öngörülen işlemler dışındaki işlemler için kullanılması tehlikeli durumlara neden olabilir.

## 5. Servis

a. **Elektrikli aletinizi, sadece orijinal yedek parçaların kullanıldığı yetkili Black & Decker servisine tamir ettirin.** Bu elektrikli aletin güvenliğinin muhafaza edilmesini sağlayacaktır.

## Elektrik güvenliği



Bu alet çift yalıtımlıdır. Bu yüzden, hiçbir topraklama kablosuna gerek yoktur. Her zaman şebeke geriliminin aletin üretim etiketinde belirlenmiş değerlere uyup uymadığını kontrol edin.

## Dekupaj testereleri için ek güvenlik talimatları

• **Uyarı!** Kesim uygulamaları nedeniyle açığa çıkan tozla temas, operatörün ve çevrede bulunanların sağlığını tehlikeye atabilir. Toz ve dumanlara karşı korunma için özel olarak tasarlanmış bir toz maskesi kullanın ve çalışma alanına giren veya bu alanda bulunan kişilerin de korunduğundan emin olun.

## ÖZELLİKLER

Bu alet, aşağıdaki özelliklerin bir kısmını veya tümünü içermektedir.

1. Açma/kapama düğmesi
2. Kesintisiz çalıştırma düğmesi
3. Değişken hız kontrol düğmesi
4. Turbo seçicisi
5. Testere bıçağı kilit kolu
6. Testere bıçağı destek silindiri
7. Testere bıçağı
8. Testere tabanı
9. Testere tabanı kilit topuzu
10. Testere bıçağı saklama bölmesi
11. Toz atma adaptörü

## Montaj

**Uyarı!** Aşağıdaki işlemlerden herhangi birini gerçekleştirmeden önce, aletin kapalı ve fişinin çekili olduğundan ve testere bıçağının durduğundan emin olun. Kullanılmış testere bıçakları sıcak olabilir.

### Testere bıçağının takılması (Şekil A)

- Testere bıçağını (7) şekilde gösterildiği gibi dişleri dışarı bakacak şekilde tutun.
- Kolu aşağı (5) bastırın.
- Testere bıçağının sap kısmını bıçak yuvasına (11) gittiği kadar sokun.
- Kolu bırakın.

### Alete bir elektrikli süpürge bağlanması (Şekil B & C)

- Toz atma bağlantısı adaptörünü (11) testere tabanıyla gösterildiği gibi hizalayın.
- Tırnakları (14) yuvalara (15) takın.
- Adaptörü yerine kilitlemeye kadar döndürün. Tırnakların (16) doğru şekilde oturduğundan emin olun.
- Elektrikli süpürge hortumunu (13) (verilmemiştir) adaptöre bağlayın.

Açılı kesim yaparken toz atma mümkün değildir.

## Kullanımı

**Uyarı!** Aleti, testere tabanı gevşek veya çıkartılmışken kesinlikle kullanmayın.

### Açılı kesimler için testere tabanının ayarlanması (Şekil D)

Testere tabanı 45°ye kadar sol veya sağa eğimli açılara ayarlanabilir.

- Testere tabanını (8) açmak için kilitleme düğmesini (9) A yönünde döndürün.
- Testere tabanını (8) geri çekip istediğiniz açığı ayarlayın. Açığı kontrol etmek için dereceli

çetvel veya açı ölçer kullanabilirsiniz.

- Testere tabanını yerine kilitlemek için kilitleme düğmesini(9) B yönünde döndürün.

Testere tabanını düz kesimlere göre sıfırlamak için

- Testere tabanını (8) açmak için kilitleme düğmesini (9) A yönünde döndürün.
- Testere tabanını geri çekip yaklaşık 0°'lik bir açığı ayarlayın.
- Testere tabanını geri itin.
- Testere tabanını yerine kilitlemek için kilitleme düğmesini(9) B yönünde döndürün. Testere tabanının kılavuz tırnaklarla desteklendiğinden emin olun.

### Değişken hız kontrolü

- Değişken hız kontrol düğmesini (3) gerekli hız aralığına getirin. Ahşap için yüksek, alüminyum ve PVC için orta ve alüminyum dışındaki metaller için düşük hızı kullanın.

### Turbo seçicisi

- Ahşapta hızlı ve verimli düz kesimler için turbo seçicisini (4) "max" konumuna getirin.
- Hassas düz ve kavisli kesim ve pürüzsüz bir yüzey için turbo seçicisini (4) "min" konumuna getirin.

### Açılması ve kapatılması

- Aleti açmak için, açma/kapama düğmesine (1) basın.
- Sürekli çalışması için kesintisiz çalışma düğmesine (2) basın ve açma/kapama düğmesini bırakın.
- Aleti kapatmak için, açma/kapama düğmesini bırakın. Kesintisiz çalışma konumundayken aleti kapatmak için açma/kapama düğmesine bir kez daha basın ve bırakın.

### SightLine™ kesim hattı görüş çizgisi özelliğinin kullanımını (Şekil E)

- Bir kurşun kalemle kesim hattını çiziniz.
- Dekupaj testerisini hattın (17) üzerine yerleştirin.

Dekupaj testerisinin tam üzerinden bakarak kesim hattı kolayca izlenebilir. Görüşün herhangi bir nedenden ötürü kısıtlanması halinde, alternatif kesim kılavuzu olarak çentiği (18) kullanabilirsiniz.

### Optimum kullanım için ipuçları

Laminatların kesilmesi

Testere bıçağı yukarı çıkarken kestiği için, testere tabanına en yakın yüzeye parçalanma meydana gelebilir.

- Hassas kesim bıçağı kullanın.
- Üzerinde çalıştığınız parçanın arka yüzünden kesin.
- Kıymiksız, temiz kesimler elde etmek için kesilen malzemenin her iki yüzeyine de bir parça kontrplak veya sert tahta parçaları yerleştirin ve kesim işlemini bu şekilde yapın.

### Metal kesme

- Metal kesiminin ahşap kesiminden çok daha fazla zaman aldığını unutmayın.
- Metal kesmeye uygun bir testere bıçağı kullanın.
- Sacı keserken üzerinde çalıştığınız parçanın her iki yüzüne bir parça takoz sıkıştırın ve oluşan bloğun içinden kesin.
- Öngördüğünüz kesim hattı boyunca bir kat yağ sürün.

### Aksesuarlar

Aletinizin performansı kullanılan aksesuara bağlıdır. Black & Decker ve Piranha aksesuarları (Avustralya ve Yeni Zelanda dahil değildir), yüksek kalite standartlarına göre üretilmiş ve aletinizin performansını arttıracak şekilde tasarlanmıştır. Bu aksesuarları kullanarak, aletinizden en iyi verimi alacaksınız.

Bu alet hem U-saplı hem de T-saplı testere bıçakları için uygundur.

### Bakım

Aletin minimum bakımla uzun bir süre çalışacak şekilde tasarlanmıştır. Kesintisiz olarak memnuniyet verici bir şekilde çalışması gerekli özenin gösterilmesine ve düzenli temizliğe bağlıdır.

- Havalandırma deliklerini temiz, kuru bir boya fırçasıyla düzenli olarak temizleyin.
- Aleti temizlemek için, sadece yumuşak sabun ve nemli bir bez kullanın. Aletin içine sıvı kaçmasına kesinlikle izin vermeyin ve aletin hiçbir parçasını kesinlikle sıvıya batırmayın.
- Arada bir, bıçak destek silindirinin aksına bir damla yağ sürün.

### Çevrenin korunması



Ayrı olarak atın. Bu ürün, normal evsel atıklarla birlikte atılmamalıdır.

Black & Decker ürününüzün değiştirilmesi gerektiğini düşünmeniz veya artık kullanılamaz durumda olması halinde onu, evsel atıklarla birlikte atmayın. Bu ürünü, ayrı olarak toplanacak şekilde atın.



Kullanılmış ürünlerin ve ambalajların ayrı olarak toplanması bu maddelerin geri dönüşüme sokularak yeniden kullanılmasına olanak tanır. Geri dönüşümlü maddelerin tekrar kullanılması çevre kirliliğinin önlenmesine yardımcı olur ve ham madde ihtiyacını azaltır.

Kevin Hewitt  
Tüketici İhtiyaçları  
Mühendisliği Müdürü  
Spennymoor, County Durham DL16 6JG,  
İngiltere  
1-6-2004

## Garanti

Black & Decker, ürünlerinin kalitesine güvenmekte ve üstün bir garanti sunmaktadır. Ayrıca bu garanti hiçbir şekilde garanti ile ilgili kanuni haklarınızı ihlal etmez ve haklarınızı hiç bir şekilde kısıtlamaz. Tüm AB ve Avrupa Serbest Ticaret Bölgesi EFTA'nın üye ülkelerinde geçerlidir.

Bir Black & Decker ürünün kusurlu malzeme, işçilik veya uygunluk eksikliği nedeniyle satın alındığı tarihten sonraki 24 ay içerisinde arızalanması halinde Black & Decker, müşterinin en az düzeyde rahatsızlık duymasını sağlamak amacıyla, aşağıdaki durumlar haricinde kusurlu parçaları değiştirmeyi, normal aşınma ve yıpranmaya maruz kalmış ürünleri onarmayı ve bu tür ürünleri değiştirmeyi garanti eder:

- Ürün ticari veya profesyonel amaçlarla kullanılmışsa veya kiraya verilmişse;
- Ürün yanlış veya amaç dışı kullanılmışsa;
- Ürün, yabancı nesnelere, maddelere ya da kazalar nedeniyle hasar görmüştür;
- Yetkili tamir servisleri veya Black & Decker servis ekibinden başkası tarafından tamir edilmeye çalışılmışsa.

Garanti talebinde bulunmak için, satıcıya veya yetkili tamir servisine satın aldığınızın dair ispat sunmalısınız. Fatura ve garanti kartı gerekmektedir. Bu kılavuzda belirtilen listeden size en yakın yetkili tamir servisinin yerini öğrenebilirsiniz. Ya da, İnternet'ten Black & Decker yetkili tamir servislerinin listesini ve satış sonrası hizmet veren yetkililerin tam detaylarını öğrenebilirsiniz. Bu site: [www.2helpU.com](http://www.2helpU.com)

Yerel yönetmelikler, elektrikli ürünlerin evlerden toplanıp belediye atık tesislerine aktarılması veya yeni bir ürün satın alırken perakende satıcı tarafından toplanması yönünde hükümler içerebilir.

Black & Decker, hizmet ömrünün sonuna ulaşan Black & Decker ürünlerinin toplanması ve geri dönüşüme sokulması için bir imkan sunmaktadır. Bu hizmetin avantajlarından faydalanmak için, lütfen, ürününüzü bizim adımıza teslim alacak herhangi bir yetkili servise iade edin.

Bu kullanım kılavuzunda belirtilen adreste bulunan bölgenizdeki Black & Decker merkezine temas kurarak size en yakın yetkili tamir servisinin adresini öğrenebilirsiniz. Alternatif olarak, yetkili Black & Decker servislerinin listesi, satış sonrası hizmetlerimizle ilgili tüm bilgiler ve temas bilgilerine İnternet üzerinden erişebilirsiniz:

[www.2helpU.com](http://www.2helpU.com)

## Teknik veriler

		KS999E
Giriş gücü	W	600
Yüksüz hızı	dak <sup>-1</sup>	800 - 3,200
Maks. kesim derinliği		
Ahşap	mm	65
Çelik	mm	4
Alüminyum	mm	10

## AT uygunluk beyanati

KS999E

Black & Decker, bu ürünlerin aşağıda belirtilen yönergelere uygun olduğunu teyit eder:  
98/37/EC, 89/336/EEC, EN 60745, EN 55014, EN 61000

$L_{pA}$  (ses basıncı) 86 dB(A),  $L_{WA}$  (akustik güç) 97 dB(A), el/kol ağırlıklı titreşim < 7.3 m/s<sup>2</sup>

$K_{pA}$  (ses basıncı belirsizliği): 3 dB(A),  
 $K_{WA}$  (akustik güç belirsizliği) 3 dB(A)

İl	Servis Adı	Adres	Telefon
1	Adana <b>Pay Elektrik</b>	Kızıllı Cad. M.Görgün Pasajı No.30	0322 351 12 95
2	Adapazarı <b>Ferik Elektrik</b>	C.Meydanı C.Cevher Sk.No.5	0264 272 62 28
3	Afyon <b>Emekliş Bobinaj</b>	Dumlupınar Mah Menderes Cad. No.2	0272 212 11 32
4	Amasya <b>Teknik Bobinaj</b>	Beyazıt Paşa Mah. Mehmet Vorinli Cad. No.20/B	0358 218 26 82
5	Ankara <b>Yiğit Bobinaj</b>	Merkez: 668.Sk. Eminel Yapı Koop. No.8 İvedik Ostim	0312 395 05 37
6	Antalya <b>E.B.A. Elektrik</b>	Sanayi Sitesi 682.Sk No.38	0242 345 3622
7	Aydın <b>Tacıroğlu Bobinaj</b>	2.Sanayi Sitesi 3.Sk No.55	0256 219 43 30
8	Balıkesir <b>Başdemir Bobinaj</b>	6 Eylül Mah. Uzun Döşeme Sk. No.41/A	0266 239 86 23
9	Bandırma <b>Küre Bobinaj</b>	Atatürk Cad. No.104	0266 718 46 79
10	Bodrum <b>Ak-Soy Bobinaj</b>	Türkkuyusu Mah.Etem Demiröz Sk. San.Sit.No.12	0252 316 65 29
11	Bursa <b>Er-Teknik</b>	Küçük San.Sit.Par.Koop. 48.Cad. No.60	0224 441 32 91
12	Bursa <b>Vokart Ltd.</b>	Gazıcılar Cad. Erikli bahçe Sk.6/B	0224 254 48 75
13	Çanakkale <b>Kısacık Bobinaj</b>	Namık Kemal Mah.Kaynak Sk.No.41	0286 217 96 71
14	Çorlu <b>Ümit Elektrik</b>	Camiatik Mah. Ereğli Sk. No.1	0282 653 27 77
15	Çorum <b>Emek Bobinaj</b>	Çepni Mah.Hazır Elbiseciler Sit.No.84	0364 224 05 41
16	Denizli <b>Örsler Bobinaj</b>	Bakırlı Mah. 171.Sk. Sedef Çarşısı 9/10	0258 261 42 74
17	Diyarbakır <b>Çetsan</b>	İnönü Cad. Ziya Gökalp Sk. No.45	0412 221 11 31
18	Düzce <b>Yıldız Makine</b>	Burhaniye Mah. Gen.Kazım Sk. No.10	0380 514 70 56
19	Edirne <b>Efe Bobinaj</b>	Sanayi Sitesi 22.Blok No.5	0284 225 35 73
20	Edremit <b>Girgin Bob.Elektrik</b>	Akçay Asfaltlı Üzeri No.68/2	0266 374 36 52
21	Elazığ <b>Kalender Bobinaj</b>	Sanayi Sitesi II.Sk.No.46	0424 224 85 01
22	Erzincan <b>Ümit Elektrik Mak.</b>	Sanayi Çarşısı 767 Sk.	0446 224 08 01
23	Eskişehir <b>Meriç Bobinaj</b>	Akçağlan Mah. Meriç Sk. No.4/A	0222 230 94 44
24	Gaziantep <b>Karaşahin Bobinaj</b>	Şahinbey Şenyurt Cad. No.35	0342 233 07 46
25	Gebze <b>Gülsoy Elektrik</b>	S.Orhan Mah. Menzilhane Cad. 1111.Sk. No.7	0262 646 92 49
26	Isparta <b>Yüce Ticaret</b>	Yeni San.Sit. 30.Blok No.81	0246 218 52 08
27	İstanbul <b>AK-EL</b>	Yukarı Dudullu Nato Yolu Cad. No.109B Ümraniye	0216 540 53 54
28	İstanbul <b>Birlik Elektromekanik</b>	Perpa Tic. Merkezi B.Blok Mavi Avlu Kat 4 No.318	0212 222 94 18
29	İstanbul <b>Fırat Dış Ticaret</b>	Tersane Cad. Kut Han No.38 K.3 D.307-308 Karaköy	0212 252 93 43
30	İstanbul <b>Kardeşler Bobinaj</b>	Çağlayan Mah. Sinanpaşa Cad. No.5 Çağlayan	0212 224 97 54
31	İstanbul <b>Orjinal Güneşli</b>	Bağlar Mah. Mimar Sinan Cad. Güllü Sk. No.3 Güneşli	0212 515 67 71
32	İstanbul <b>Fırat - Şube</b>	İstasyon Cad. Gemi Yan.San.Sit No.49 A Blok Kat 2 İçmeler Tuzla	0216 395 65 68
33	İstanbul <b>Tarik Bobinaj</b>	Bağdat Cad. Adalı Sk. No.101/10 Maltepe	0216 370 21 11
34	İzmir <b>Boro Cıvata</b>	1203/ 2.Sk. B21 Yenişehir	0232 469 80 70
35	İzmir <b>Yılmaz Bobinaj</b>	2822 Sk. No.2 1.Sanayi Sitesi	0232 433 80 51
36	İzmit <b>Efe Elek. Bobinaj</b>	Körfez Küçük San.Sit. 12.Blok No.13	0262 335 18 94
37	K.Maraş <b>Kahraman Bobinaj</b>	Yeni San.Sit. 25.Çarşısı No.24	0344 236 29 68
38	Kayseri <b>Akın Elektrik</b>	Eski San Bölgesi 5.Cad. No.8	0352 336 41 23
39	Konya <b>Murat Bobinaj</b>	Karatay San.Çiçekli Sk. No.83	0332 235 64 63
40	Konya <b>Yavuzhan Bobinaj</b>	Karatay San.Çobandede Sk. No.20	0332 233 29 60
41	Kütahya <b>Doğan Bobinaj</b>	Yeni San.Sit.19.Sk. No:28/1	0274 231 22 00
42	Malatya <b>Özer Bobinaj</b>	Yeni San.Sit. 2.Cad. No.95	0422 336 39 53
43	Marmaris <b>Başaran Teknik</b>	Beldibi Cad. No.5/C	0252 412 85 11
44	Mersin <b>Vedat Makine</b>	Mesudiye Mah.5120 Sk. No.40/A	0324 336 94 30
45	Nevşehir <b>Çiftgüç Elektrik</b>	Yeni Sanayi Sitesi 8.Blok No.53	0384 213 19 96
46	Samsun <b>Akış Bobinaj</b>	Sanayi Sitesi Ulus Cad. No.31/B	0362 238 07 23
47	Sivas <b>Bayraktar Elektrik</b>	Yeni Çarşısı No.72/C	0346 221 47 55
48	Tokat <b>Çetin Elektrik</b>	Sanayi Sitesi Cami Altı No.22	0356 214 63 07
49	Trabzon <b>Makine Market</b>	Rize Cad. No.71 Değirmendere	0462 328 14 80
50	Uşak <b>Zengin Bobinaj</b>	İsle Mah. Ürem Sk. No.10/C	0276 227 27 46

