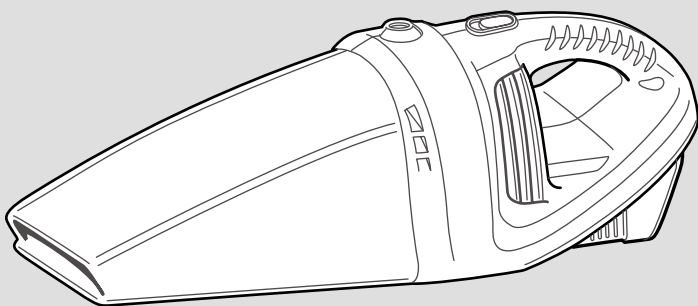


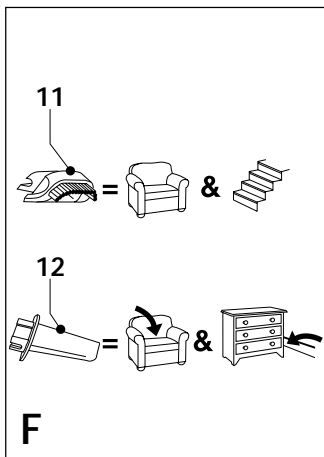
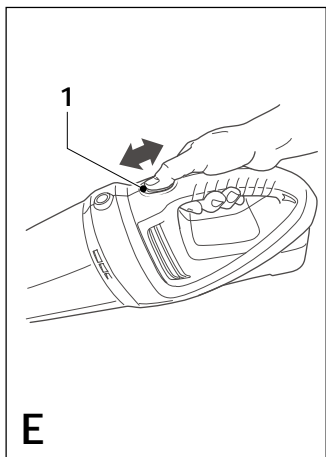
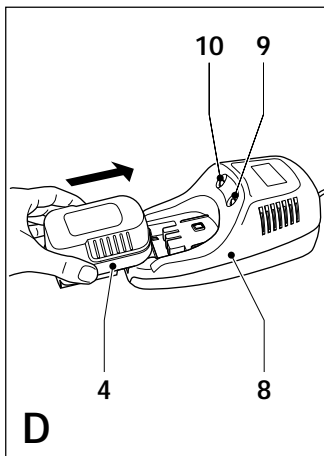
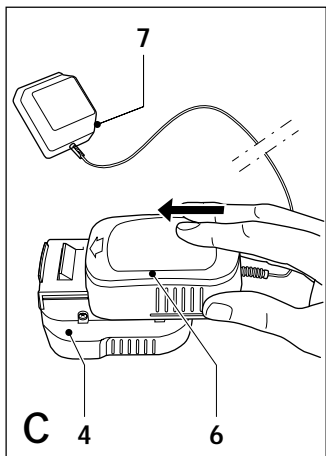
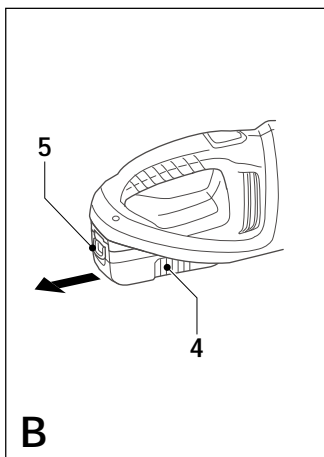
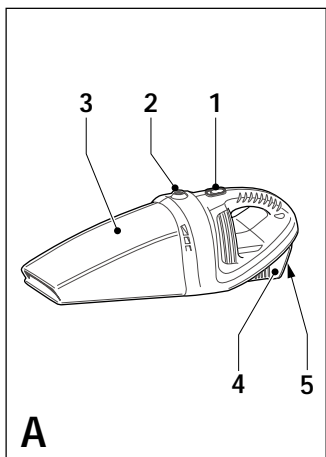


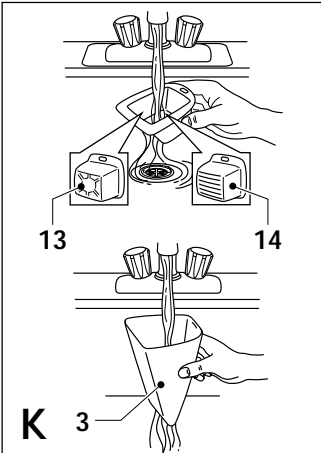
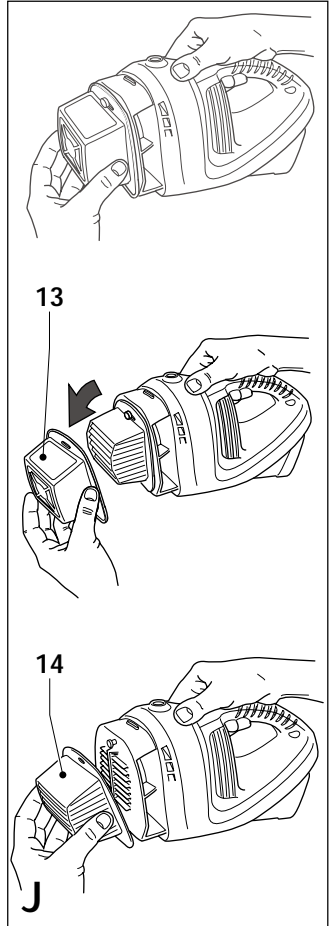
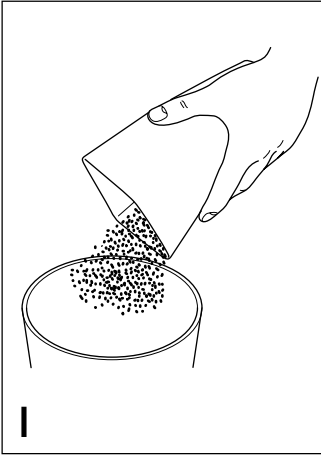
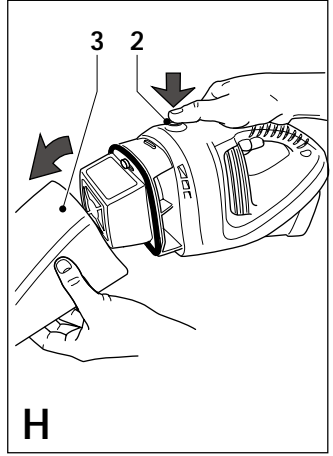
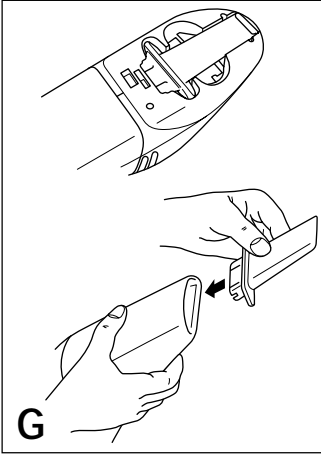
**BLACK &
DECKER®**

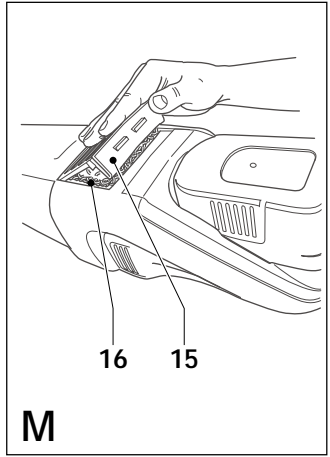
www.blackanddecker.com



HD18F2M







Intended use

Your Black & Decker hand held vacuum cleaner has been designed for light dry vacuum cleaning purposes. This product is intended for household use only.

The appliance is not supplied with its own battery and charger. Please use the equipment supplied with a Black & Decker power tool that uses the type of battery and charger suitable for this appliance. For the correct type of battery and charger, refer to the technical data.

Safety instructions

- ◆ **Warning!** When using battery-powered appliances, basic safety precautions, including the following, should always be followed to reduce the risk of fire, leaking batteries, personal injury and material damage.
- ◆ Read this manual carefully before using the appliance.
- ◆ The intended use is described in this manual. The use of any accessory or attachment or the performance of any operation with this appliance other than those recommended in this instruction manual may present a risk of personal injury.
- ◆ Retain this manual for future reference.

Using your appliance

- ◆ Do not use the appliance to pick up liquids or any materials that could catch fire.
- ◆ Do not use the appliance near water. Do not immerse the appliance in water.
- ◆ Never pull the charger lead to disconnect the charger from the socket. Keep the charger lead away from heat, oil and sharp edges.

After use

- ◆ Unplug the charger before cleaning the charger.
- ◆ When not in use, the appliance should be stored in a dry place. Children should not have access to stored appliances.

Inspection and repairs

- ◆ Before use, check the appliance for damaged or defective parts. Check for breakage of parts, damage to switches and any other conditions that may affect its operation.
- ◆ Do not use the appliance if any part is damaged or defective.
- ◆ Have any damaged or defective parts repaired or replaced by an authorised repair agent.
- ◆ Regularly check the charger lead for damage. Replace the charger if the lead is damaged or defective.
- ◆ Never attempt to remove or replace any parts other than those specified in this manual.

Additional safety instructions for batteries and chargers

Batteries

- ◆ Never attempt to open for any reason.
- ◆ Do not expose to water.
- ◆ Do not store in locations where the temperature may exceed 40 °C.
- ◆ Charge only at ambient temperatures between 4 °C and 40 °C.
- ◆ Charge only using the charger provided with the tool (see technical data).
- ◆ Before charging, make sure that the battery is dry and clean.
- ◆ Use only the correct type of battery for the tool (see technical data).
- ◆ When disposing of batteries, follow the instructions given in the section "Protecting the environment".
- ◆ Under extreme conditions, battery leakage may occur. When you notice liquid on the battery, proceed as follows:
 - Carefully wipe the liquid off using a cloth. Avoid skin contact.
 - In case of skin or eye contact, follow the instructions below.

Warning! The battery fluid, a 25-30% solution of potassium hydroxide, can be harmful. In case of skin contact, immediately rinse with water. Neutralize with a mild acid such as lemon juice or vinegar.

In case of eye contact, rinse copiously with clean water for at least 10 minutes. Seek medical attention.



Fire hazard! Avoid short-circuiting the contacts of a detached battery (e.g. keys carried in the same pocket as a battery).



Do not incinerate the battery.



Do not attempt to charge damaged batteries.

Chargers

- ◆ Use your Black & Decker charger only to charge batteries of the type supplied with your tool. Other batteries could burst, causing personal injury and damage.
- ◆ Never attempt to charge non-rechargeable batteries.
- ◆ Have defective cords replaced immediately.
- ◆ Do not expose to water.
- ◆ Do not open the charger.
- ◆ Do not probe the charger.



The charger is intended for indoor use only.

Electrical safety

Your charger has been designed for a specific mains voltage. Always check that the mains voltage corresponds to the voltage on the rating plate.

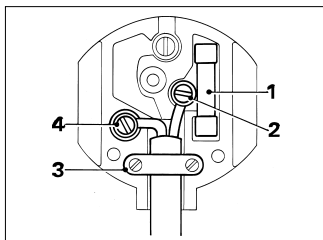


Your charger is double insulated in accordance with EN 60335; therefore no earth wire is required.



Never attempt to replace the charger unit with a regular mains plug.

Mains plug replacement (U.K. & Ireland only)



- ◆ Should your mains plug need replacing and you are competent to do this, proceed as instructed below. If you are in doubt, contact an authorised repair agent or a qualified electrician.
- ◆ Disconnect the plug from the supply and remove the fuse from the plug.
- ◆ Cut off the plug and dispose of it safely; a plug with bared copper conductors is dangerous if engaged in a live socket outlet.
- ◆ Only fit 13 Amperes BS1363A approved plugs fitted with a 5 A fuse (1).
- ◆ The cable wire colours, or a letter, will be marked at the connection points of most good quality plugs. Attach the wires to their respective points in the plug (see above). Brown is for Live (L) (2), blue is for Neutral (N) (4).
- ◆ Before replacing the top cover of the mains plug ensure that the cable restraint (3) is holding the outer sheath of the cable firmly and that the leads are correctly fixed at the terminal screws.
- ◆ If the plug has a fuse cover, make sure that the fuse cover is fitted. Do not use the plug if the fuse cover is missing or damaged.



Never use a light socket.

Features (fig. A)

1. On/off switch
2. Release button for dust bowl
3. Dust bowl

4. Battery
5. Battery release button

Assembly

Fitting and removing the battery (fig. B)

- ◆ To fit the battery (4), line it up with the receptacle on the tool. Slide the battery into the receptacle and push until the battery snaps into place.
- ◆ To remove the battery, push the release button (5) while at the same time pulling the battery out of the receptacle

Use

Charging the battery

The battery needs to be charged before first use and whenever it fails to produce sufficient power on jobs that were easily done before. When charging the battery for the first time, or after prolonged storage, it will only accept an 80% charge. After several charge and discharge cycles, the battery will attain full capacity. The battery may become warm while charging; this is normal and does not indicate a problem.



Do not charge the battery at ambient temperatures below 4 °C or above 40 °C.
Recommended charging temperature: approx. 24 °C.

3 hr charger (fig. C)

- ◆ To charge the battery (4), remove it from the tool.
- ◆ Slide the charger receptacle (6) onto the battery as shown.
- ◆ Plug in the charger (7). Switch on at the mains.

The battery will become warm while charging. After approx. 3 hours of charging, the battery will be fully charged.

- ◆ Remove the charger receptacle from the battery.

1 hr charger (fig. D)

- ◆ To charge the battery (4), remove it from the tool and insert it into the charger (8). The battery will only fit into the charger in one way. Do not force. Be sure that the battery is fully seated in the charger.
- ◆ Plug in the charger.
Switch on at the mains.
- ◆ Check if the red charging indicator (9) lights up. If the green end of charge indicator (10) lights up now instead, the battery is too hot and cannot be charged. If this happens, remove the battery from the charger, let the battery cool down for approx. 1 hour and re-insert it.

After approx. 1 hour of charging, the red charging indicator (9) will stop lighting and the green end of charge indicator (10) will light up. The battery is now fully charged.

- ◆ Remove the battery from the charger.

Operating the appliance (fig. E)

- ◆ To switch on, slide the on/off switch (1) forward.
- ◆ To switch off, slide the on/off switch back.

Accessories

These models are supplied with the following accessories (fig. F):

- a hard brush (11) for furniture and stairs
- a crevice tool (12) for confined spaces

To fit an accessory, proceed as follows (fig. G):

- ◆ Take the accessories from the appliance.
- ◆ Insert the appropriate accessory into the front of the appliance.

Cleaning and maintenance

Warning! Regularly clean the filters.

Cleaning the dust bowl and filters (fig. H - L)

The filters are re-usable and should be cleaned regularly.

- ◆ Press the release button (2) and remove the dust bowl (3) (fig. H).
- ◆ Remove any dust from the dust bowl (fig. I).
- ◆ Remove the filters (13 & 14) by twisting them clockwise (fig. J).
- ◆ Brush any loose dust off the filters.
- ◆ Wash the filters in warm, soapy water (fig. K). The bowl can also be washed if necessary. Do not immerse the appliance in water (fig. L).
- ◆ Make sure the dust bowl and filters are dry.
- ◆ Refit the filters (13 & 14) onto the appliance, twisting them counterclockwise until they lock into place.
- ◆ Refit the dust bowl onto the appliance. Make sure the dust bowl clicks into place.

Cleaning the exhaust filter (fig. M)

- ◆ Open the lid (15).
- ◆ Remove the filter (16) from the recess.
- ◆ Wash the filter in warm, soapy water. The filter may discolour slightly.
- ◆ Make sure the filter is dry.
- ◆ Refit the filter (16), making sure the black side faces out.
- ◆ Close the lid.

Warning! Never use the appliance without the filters. Optimum dust collection will only be achieved with clean filters and an empty dust bowl.

Replacing the filters

The filters should be replaced every 6 to 9 months and whenever worn or damaged. Replacement filters are available from your Black & Decker dealer.

Protecting the environment



Should you find one day that your Black & Decker product needs replacement, or if it is of no further use to you, think of the protection of the environment.

Black & Decker repair agents will accept old Black & Decker products and ensure that they are disposed of in an environmentally safe way.

Batteries



Black & Decker batteries can be recharged many times. At the end of their useful life, discard batteries with due care for our environment:

- ◆ Run the battery down completely, then remove it from the tool.
- ◆ NiCd and NiMH batteries are recyclable. Take them to any authorised repair agent or a local recycling station.

You can check the location of your nearest authorised repair agent by contacting your local Black & Decker office at the address indicated in this manual. Alternatively, a list of authorised Black & Decker repair agents and full details of our after-sales service and contacts are available on the Internet at: www.2helpU.com.

Technical data

		HD18F2M
Voltage	V_{DC}	18
Weight (without battery)	kg	0.92

Battery

Cat. no	A18	
Voltage	V_{DC}	18
Capacity	Ah	1.5
Weight	kg	0.9

Charger

Cat. no.	5100235-03	
Input voltage	V_{AC}	230
Approx. charging time	h	1

EC declaration of conformity

Black & Decker declares that these products conform to:

98/37/EC, 89/336/EEC, 73/23/EEC, EN 55014, EN 60335, EN 61000

L_{pA} (sound pressure): < 85 dB(A), hand/arm weighted vibration < 2.5 m/s²



Colin Wills, Director of Engineering
BDCI, 4/F, 2 Dai Wang Street, Tai Po
Industrial Estate, Tai Po NT, Hong Kong

Guarantee

Black & Decker is confident of the quality of its products and offers an outstanding guarantee. This guarantee statement is in addition to and in no way prejudices your statutory rights. The guarantee is valid within the territories of the Member States of the European Union and the European Free Trade Area.

If a Black & Decker product becomes defective due to faulty materials, workmanship or lack of conformity, within 24 months from the date of purchase, Black & Decker guarantees to replace defective parts, repair products subjected to fair wear and tear or replace such products to ensure minimum inconvenience to the customer unless:

- ◆ The product has been used for trade, professional or hire purposes;
- ◆ The product has been subjected to misuse or neglect;
- ◆ The product has sustained damage through foreign objects, substances or accidents;
- ◆ Repairs have been attempted by persons other than authorised repair agents or Black & Decker service staff.

To claim on the guarantee, you will need to submit proof of purchase to the seller or an authorised repair agent.

You can check the location of your nearest authorised repair agent by contacting your local Black & Decker office at the address indicated in this manual. Alternatively, a list of authorised Black & Decker repair agents and full details of our after-sales service and contacts are available on the Internet at: **www.2helpU.com**.

Please register at our website **www.blackanddecker.com** to be kept up to date on new products and special offers. Further information on the Black & Decker brand and our range of products is available at **www.blackanddecker.com**.

Australia

DeWALT Industrial Power Tool Company

7 Clarice Road

Tel. 03 9895 9200

Box Hill, Victoria 3128

Fax 03 9899 7465

New Zealand

Black & Decker

Tel. 09 579 7600

81 Hugo Johnston Drive

Fax 09 579 8200

Penrose, Auckland, New Zealand

United Kingdom

Black & Decker

Tel. 01753 511234

210 Bath Road

Fax 01753 551155

Slough, Berkshire SL1 3YD

Helpline 01753 574277