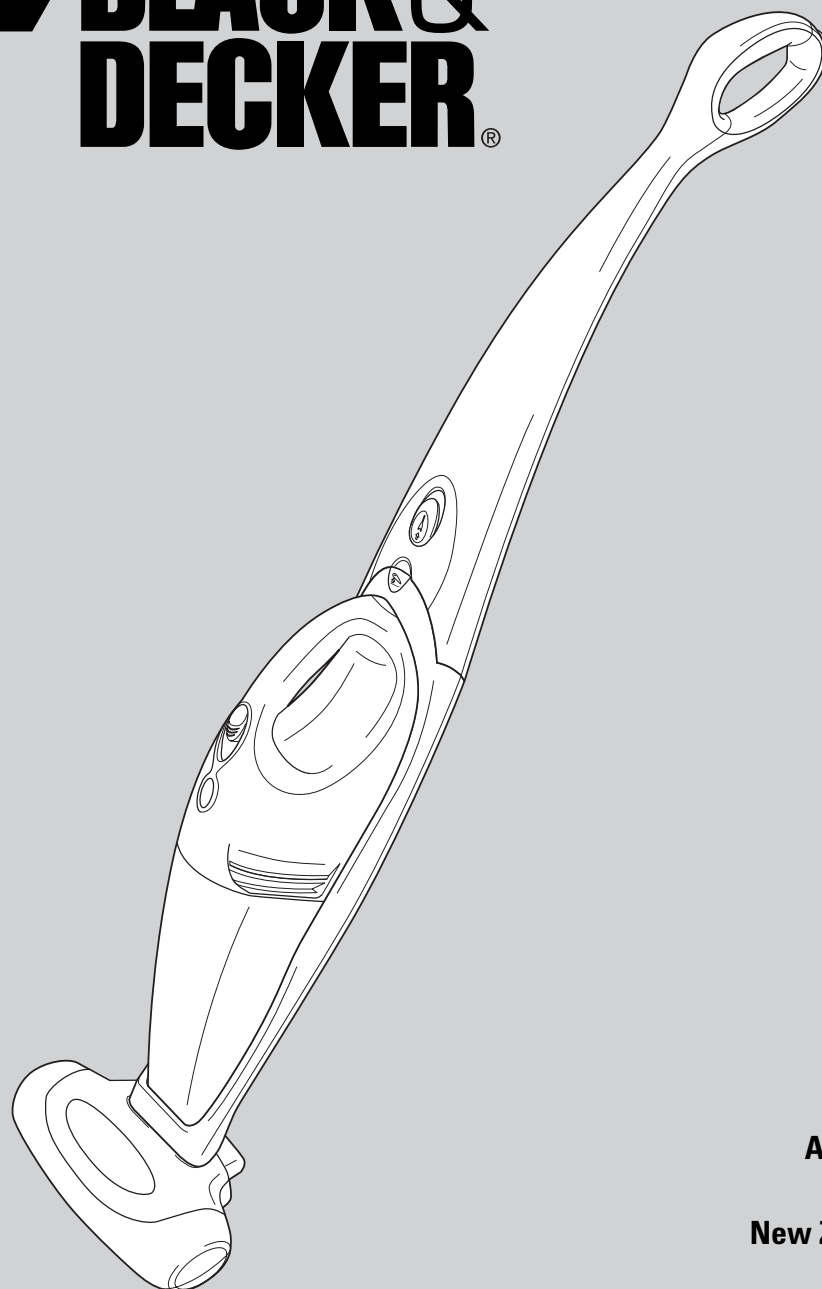


 **BLACK &
DECKER®**

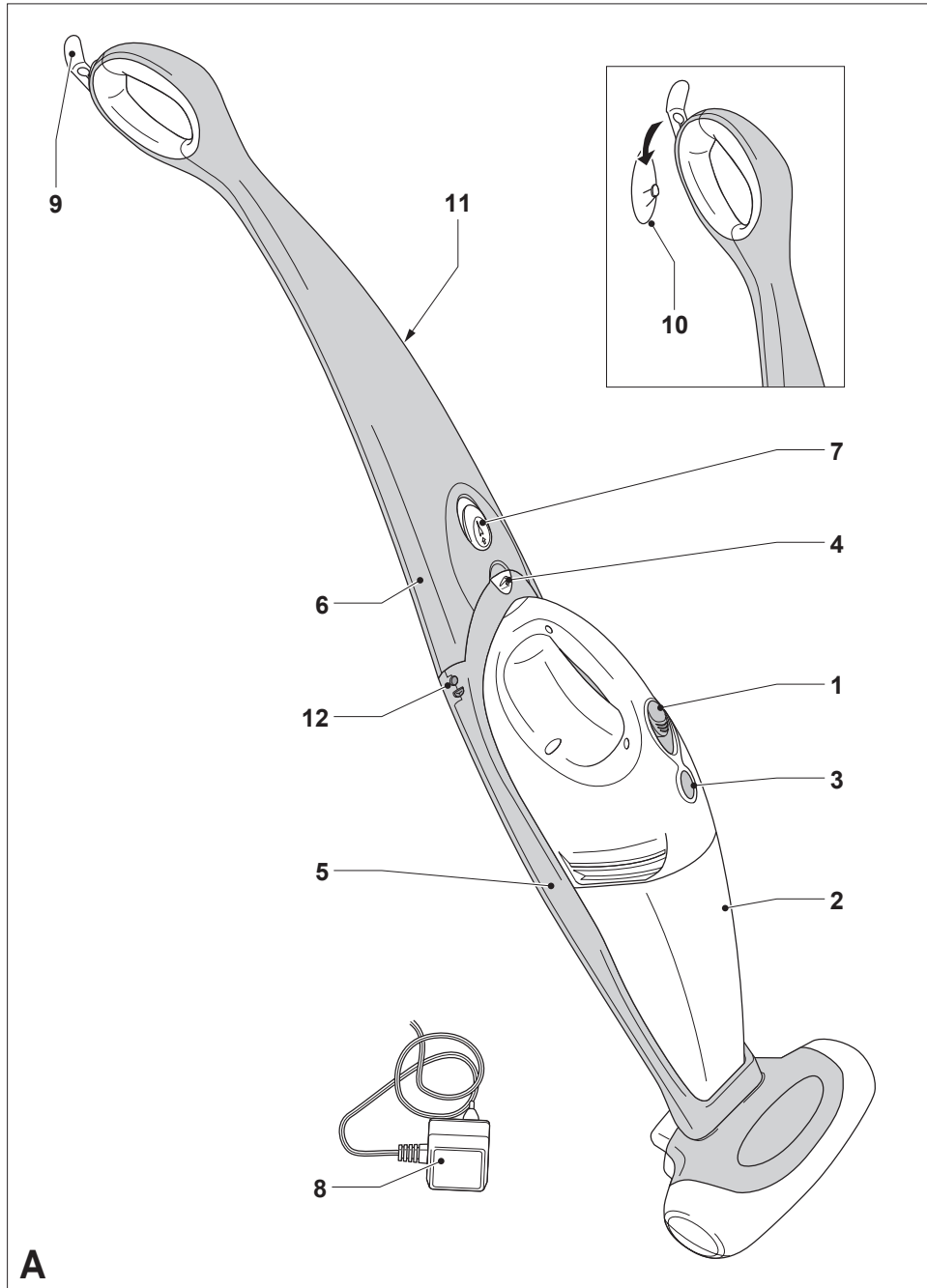


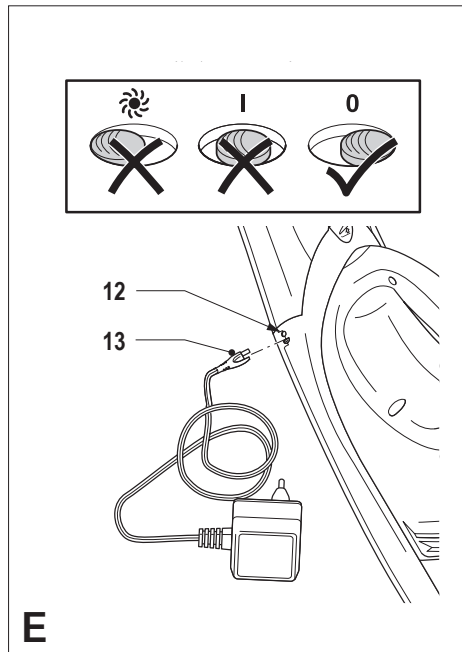
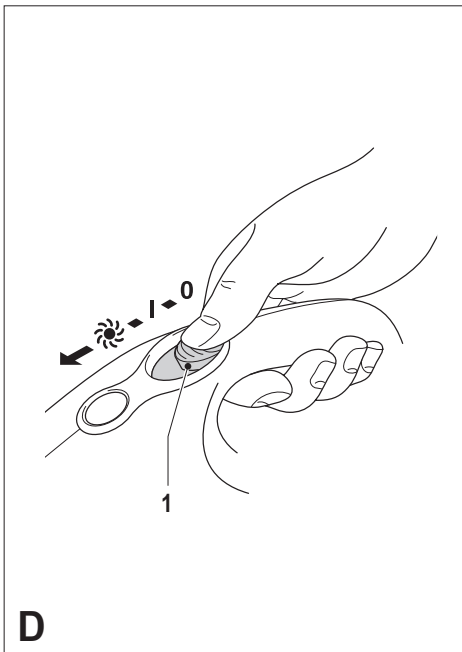
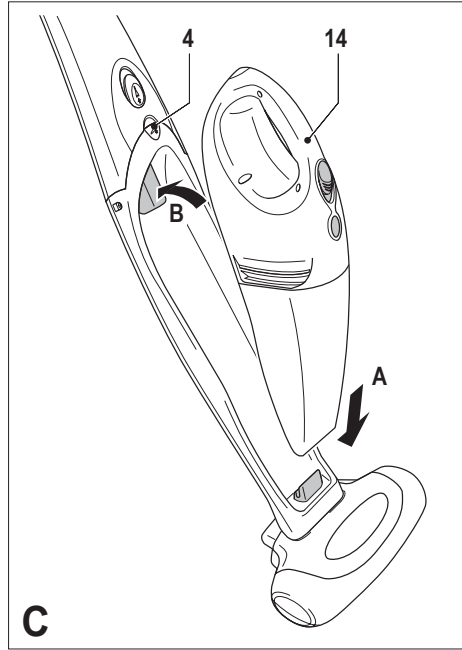
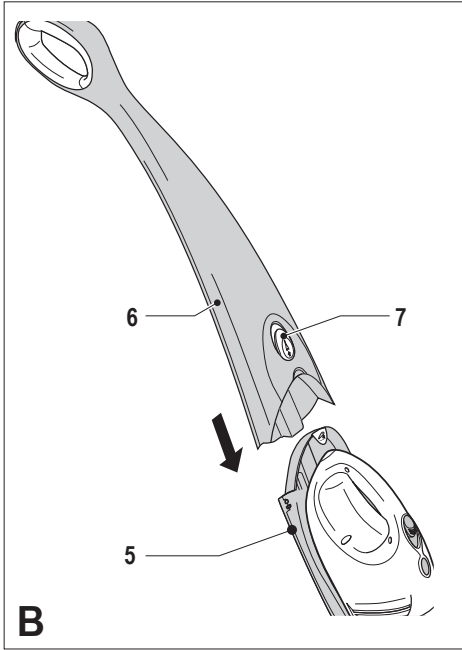
UK

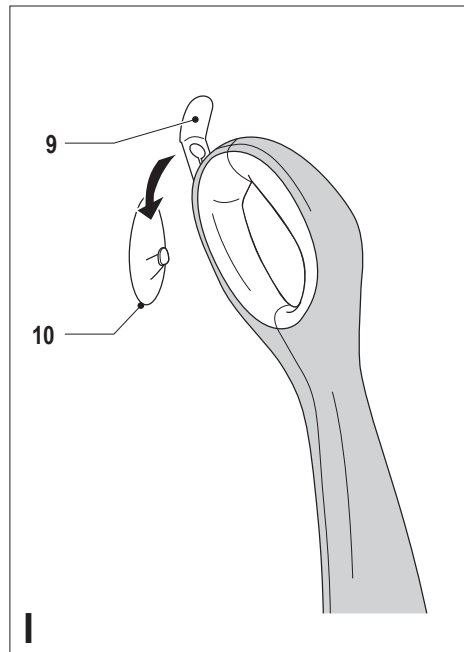
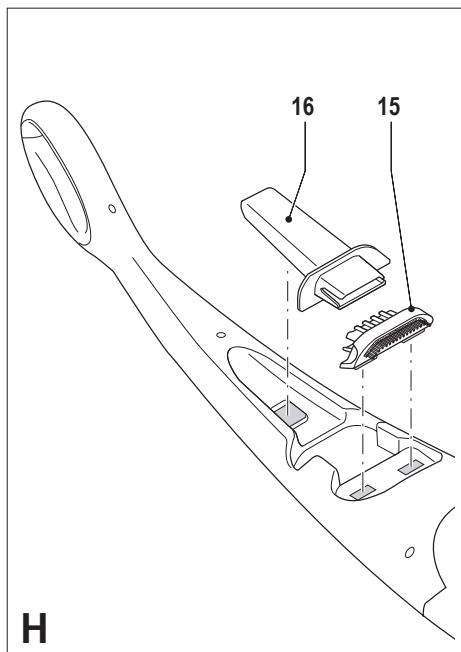
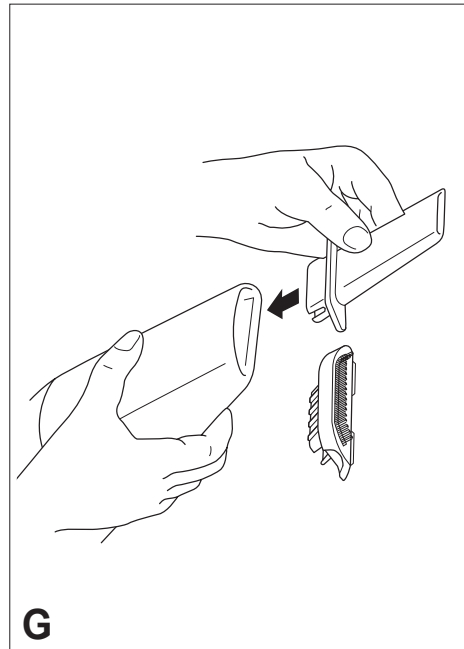
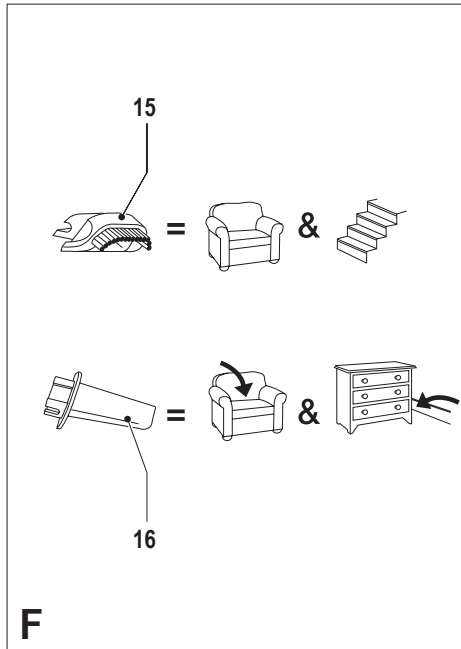
Ireland

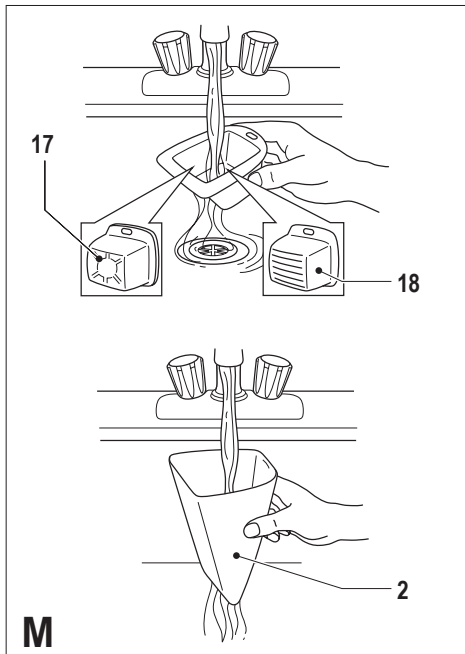
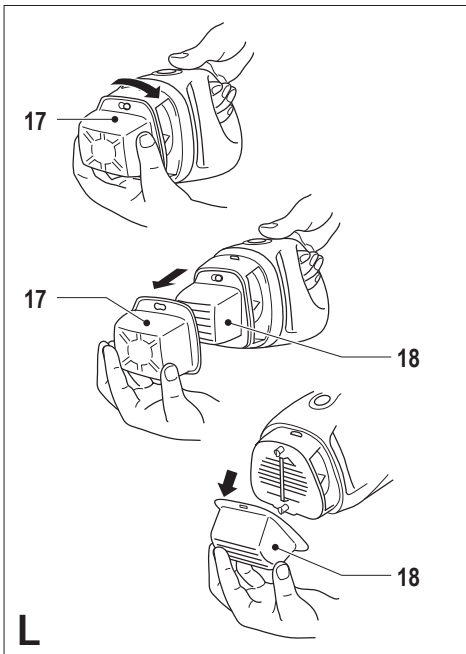
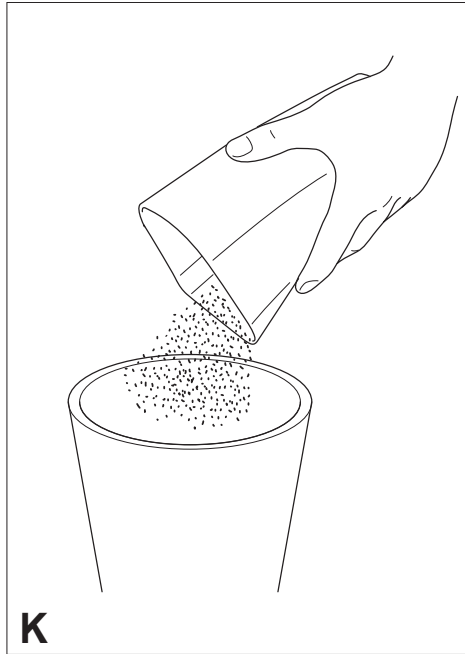
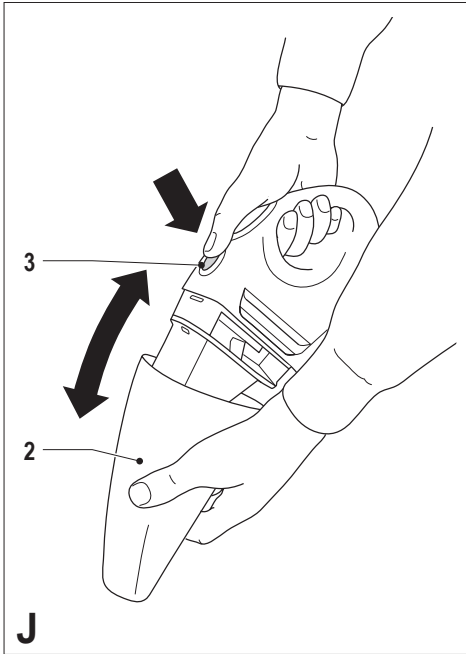
Australia

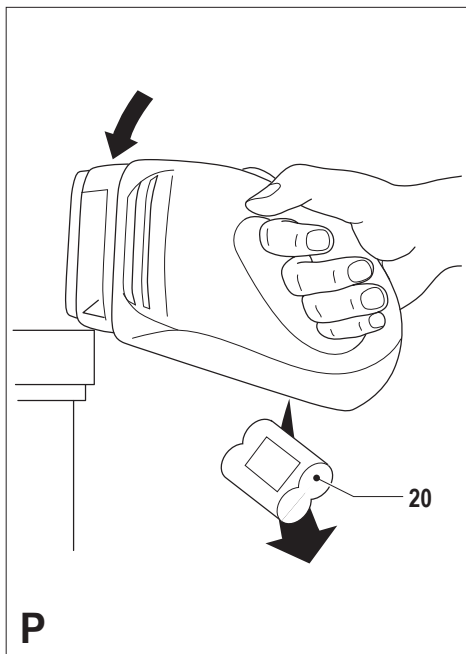
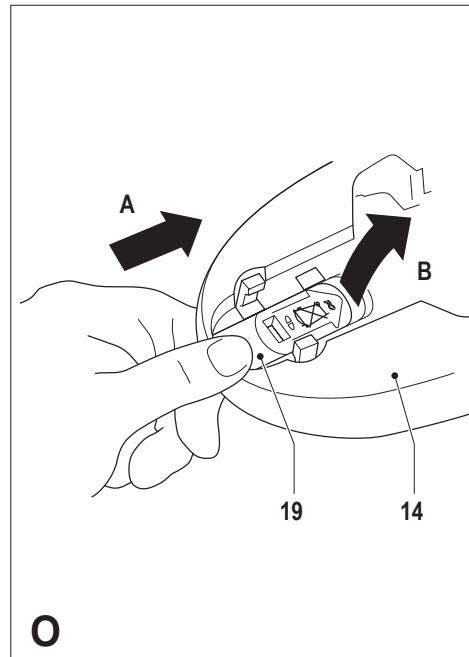
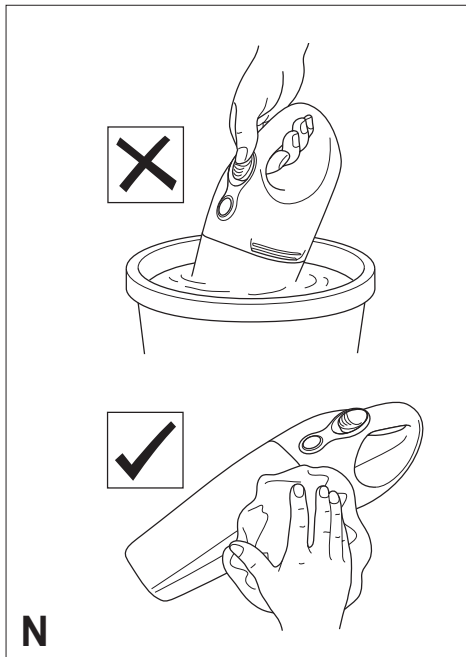
New Zealand











Intended use

Your Black & Decker Dustbuster® Plus has been designed for light dry vacuum cleaning of hard floors, rugs and carpets. This appliance is intended for household use only.

Design and Patent information

Patent Number EP 1 279 362 B.

Design Registration Numbers:

- ◆ GB 2 101 173
- ◆ GB 2 101 174
- ◆ GB 2 101 175
- ◆ GB 2 101 176
- ◆ GB 2 101 177
- ◆ GB 2 101 178

DUSTBUSTER PLUS is a registered trade mark of the Black & Decker Corporation.

European Community TM registration no. 2 936 615.

Safety instructions

Warning! When using battery-powered appliances, basic safety precautions, including the following, should always be followed to reduce the risk of fire, leaking batteries, personal injury and material damage.

- ◆ Read all of this manual carefully before using the appliance.
- ◆ The intended use is described in this manual. The use of any accessory or attachment or the performance of any operation with this appliance other than those recommended in this instruction manual may present a risk of personal injury.
- ◆ Retain this manual for future reference.

Using your appliance

- ◆ Do not use the appliance to pick up liquids.
- ◆ Do not use the appliance to pick up any materials that could catch fire.
- ◆ Do not use the appliance near water. Do not immerse the appliance in water.
- ◆ Keep the motor draught away from your eyes and face.
- ◆ Keep children and animals at a safe distance when using this appliance.
- ◆ Never pull the charger lead to disconnect the charger from the socket. Keep the charger lead away from heat, oil and sharp edges.

After use

- ◆ Unplug the charger before cleaning the charger.
- ◆ When not in use, the appliance should be stored in a dry place. Children should not have access to stored appliances.

- ◆ When not in use, check the appliance for damaged or defective parts. Check for breakage of parts, damage to switches and any other conditions that may affect its operation.
- ◆ Do not use the appliance if any part is damaged or defective.
- ◆ Have any damaged or defective parts repaired or replaced by an authorised repair agent.
- ◆ Regularly check the charger lead for damage. Replace the charger if the lead is damaged or defective.
- ◆ Never attempt to remove or replace any parts other than those specified in this manual.

Inspection and repairs

- ◆ Before use, check the appliance for damaged or defective parts. Check for breakage of parts, damage to switches and any other conditions that may affect its operation.
- ◆ Do not use the appliance if any part is damaged or defective.
- ◆ Have any damaged or defective parts repaired or replaced by an authorized repair agent.
- ◆ Regularly check the charger lead for damage. Replace the charger if the lead is damaged or defective.
- ◆ Never attempt to remove or replace any parts other than those specified in this manual.

Battery and charger

- ◆ Never attempt to open the battery.
- ◆ Do not expose the battery to water.
- ◆ Do not incinerate the battery.
- ◆ When disposing of batteries, follow the instructions given in the section "Protecting the environment".
- ◆ Do not expose the charger to water.
- ◆ Do not open the charger.

Electrical Safety

Your charger has been designed for a specific voltage. Always check that the mains voltage corresponds to the voltage on the rating plate. Never attempt to replace the charger unit with a regular mains plug.



Your charger is double insulated in accordance with EN 60335; therefore no earth wire is required.



The charger is intended for indoor use only.



Fail-safe isolating transformer. The mains supply is electrically separated from the transformer output.



The charger automatically shuts off if the ambient temperature becomes too high. As a consequence the charger will be inoperable. The charging base must be disconnected from the mains supply and taken to an authorised service centre for repair.

Features

1. On/off switch
2. Dust bowl
3. Release button for dust bowl
4. Release button for hand-held vacuum cleaner
5. Lower handle
6. Upper handle
7. Release button for upper handle
8. Charger
9. Hanging loop
10. Wall hook
11. Accessory holder
12. Charger inlet holes
13. Charger plug
14. Hand-held vacuum cleaner

(Fig. F)

15. Hard brush
16. Crevice tool

Assembly

Fitting and removing the upper handle (fig. B)

Fitting

- ◆ Align the upper handle (6) with the lower handle (5) as shown.
- ◆ Press the upper handle into the lower handle until it clicks into place.

Removing

- ◆ Slide the release button (7) in the direction indicated on the button.
- ◆ Pull the upper handle off the lower handle.

Fitting and removing the hand-held vacuum cleaner (fig. C)

Fitting

- ◆ Position the appliance (14) as shown.
- ◆ Set the nose of the appliance onto the lower handle (A).
- ◆ Push the back end of the appliance down as shown until it clicks into place (B).

Removing

- ◆ Keep the release button (4) pressed.
- ◆ Pull out the back end of the appliance.
- ◆ Lift the appliance off the lower handle.

Fitting an accessory (fig. G)

This appliance is supplied with the following accessories:

- ◆ A hard brush (15) for furniture and stairs
- ◆ A crevice tool (16) for confined spaces

To fit an accessory, proceed as follows:

- ◆ Take the accessory from its storage position on the rear of the upper handle (11).
- ◆ Insert the accessory into the front of the appliance as shown.

Storing the accessories (fig. H)

- ◆ Press the accessories into the corresponding holders until they click into place.

Hanging the appliance on the wall (fig. I)

- ◆ Fit the wall hook supplied in a suitable location on the wall. Make sure that the hook is fixed by a method suitable to the wall type and appropriate to the weight of the appliance.
- ◆ Slide the hanging loop (9) out of the handle.
- ◆ Hang the appliance on the wall hook (10).

Use

Before first use, the battery must be charged for at least 16 hours.

- ◆ Before charging, preferably discharge the battery by operating the appliance until the motor stops.
- ◆ Connect the appliance to the charger whenever it is not in use.
- ◆ Charge the battery as described below.

Charging the battery (fig. E)

- ◆ Make sure that the appliance is switched off. The battery will not be charged with the on/off switch in the on position.
- ◆ Make sure that the hand-held vacuum cleaner is fitted on the lower handle as described above.
- ◆ Insert the plug (13) into the charger inlet holes (12) in the lower handle.
- ◆ Plug in the charger. Switch on at the mains.
- ◆ Leave the appliance to charge for at least 16 hours.

While charging, the charger may become warm. This is normal and does not indicate a problem. The appliance can be left connected to the charger indefinitely. When the battery is fully charged, the power consumption of the charger is negligible.

After fully charging the battery, the average effective usage time is approx. 15 minutes. It may take several charging cycles before the battery attains full capacity.

Warning! Do not charge the battery at ambient temperatures below 4 °C or above 40 °C.

Switching on and off (fig. D)

- ◆ To switch the appliance on, slide the on/off switch (1) forward one position.
- ◆ To switch on the brush roller, slide the on/off switch fully forward. The brush roller is only active when the appliance is fitted on the lower handle. The brush roller is needed when cleaning rugs and carpets.
- ◆ To switch the appliance off, slide the on/off switch (1) fully back.

Cleaning and maintenance

Warning! Regularly clean the filters.

Cleaning the dust bowl and filters (fig. J - N)

The filters are re-usable and should be cleaned regularly.

- ◆ Press the release button (3) and remove the dust bowl (2) (fig. J).
- ◆ Remove any dust from the dust bowl (fig. K).
- ◆ Brush any loose dust off the filters.
- ◆ Twist the filters (17 & 18) clockwise to release and take them off the appliance (fig. L).
- ◆ Wash the filters in warm, soapy water and wash the bowl if necessary (fig. M).
- ◆ Make sure the dust bowl and filters are completely dry.
- ◆ Refit the filters, locking them into place by twisting counterclockwise.
- ◆ Refit the dust bowl onto the appliance.
- ◆ Make sure the dust bowl clicks into place.

Warning! Optimum dust collection will only be achieved with clean filters and an empty dust bowl. If dust begins to fall back out of the appliance after switching it off, this indicates that the dust bowl is full and must be emptied.

Warning! Never use the appliance without the filter.

Warning! Do not immerse the appliance in water (fig. N).

Replacing the filters (fig. J - L)

The should be replaced every 6 to 9 months and whenever worn or damaged. Replacement filters are available from your Black & Decker dealer (cat. no. VF20):

- ◆ Press the release button (3) and remove the dust bowl (2) (fig. J).
- ◆ Twist the filters (17 & 18) clockwise to release and take them off the appliance (fig. L).
- ◆ Take the new filters and place the soft filter into the hard filter.
- ◆ Fit the filters, locking them into place by twisting counterclockwise.
- ◆ Refit the dust bowl onto the appliance. Make sure the dust bowl clicks into place.

Troubleshooting guide

If the product does not work, follow the instructions below. If this does not solve the problem, please contact your local Black & Decker repair agent.

- ◆ Make sure the battery is fully charged.
- ◆ If the battery cannot be charged, check if the charger is plugged in correctly and the mains is working. Make sure the on/off switch is in the off position.

Protecting the environment



Separate collection of used products and packaging allows materials to be recycled and used again. Re-use of recycled materials helps prevent environmental pollution and reduces the demand for raw materials.



Local regulations may provide for separate collection of electrical products from the household, at municipal waste sites or by the retailer when you purchase a new product.

Black & Decker provides a facility for the collection and recycling of Black & Decker products once they have reached the end of their working life. To take advantage of this service please return your product to any authorised repair agent who will collect them on our behalf.

You can check the location of your nearest authorised repair agent by contacting your local Black & Decker office at the address indicated in this manual. Alternatively, a list of authorised Black & Decker repair agents and full details of our after-sales service and contacts are available on the Internet at: www.2helpU.com.

Battery (fig. O & P)



If you want to dispose of the product yourself, the battery must be removed as described below and disposed of in accordance with local regulations. Do not short-circuit the battery terminals.

- ◆ Preferably discharge the battery by operating the appliance until the motor stops.
- ◆ Remove the hand-held vacuum cleaner from the lower handle as described above.

The battery is located under the back end of the appliance.

- ◆ Push the slider (19) towards the nose of the appliance (A).
- ◆ Remove the bottom part of the appliance (B).
- ◆ Strike the appliance firmly on a suitable surface until the battery (20) is released (fig. P).
- ◆ Place the battery in a suitable packaging to ensure that the terminals cannot be short-circuited.
- ◆ Take the battery to your service agent or a local recycling station.

Warning! Once removed, the battery cannot be refitted.

Technical data

	FV9601	FV1201
Voltage	Vdc 9.6	12.0
Weight	kg 1.8	1.9

Charger

Input voltage	Vac 230
Weight	kg 0.2
Approx. charging time	h 16

EC declaration of conformity

FV9601, FV1201

Black & Decker declares that these products conform to:

89/336/EEC, 73/23/EEC,

EN50366, EN 55014, EN 60335, EN 61000

Kevin Hewitt

Director of Consumer Engineering
Spennymoor, County Durham
DL16 6JG,

United Kingdom
02-02-2006



Guarantee

Black & Decker is confident of the quality of its products and offers an outstanding guarantee. This guarantee statement is in addition to and in no way prejudices your statutory rights. The guarantee is valid within the territories of the Member States of the European Union and the European Free Trade Area.

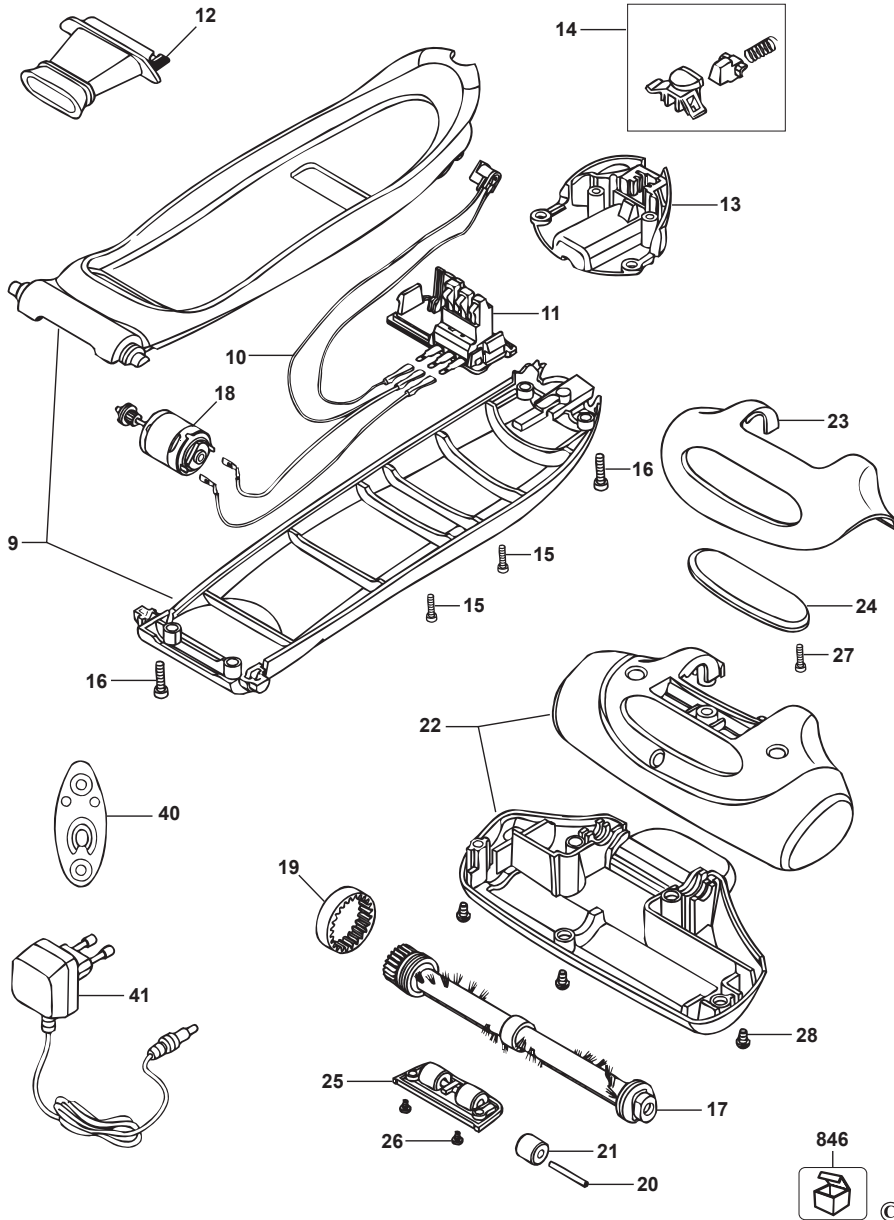
If a Black & Decker product becomes defective due to faulty materials, workmanship or lack of conformity, within 24 months from the date of purchase, Black & Decker guarantees to replace defective parts, repair products subjected to fair wear and tear or replace such products to make sure of the minimum inconvenience to the customer unless:

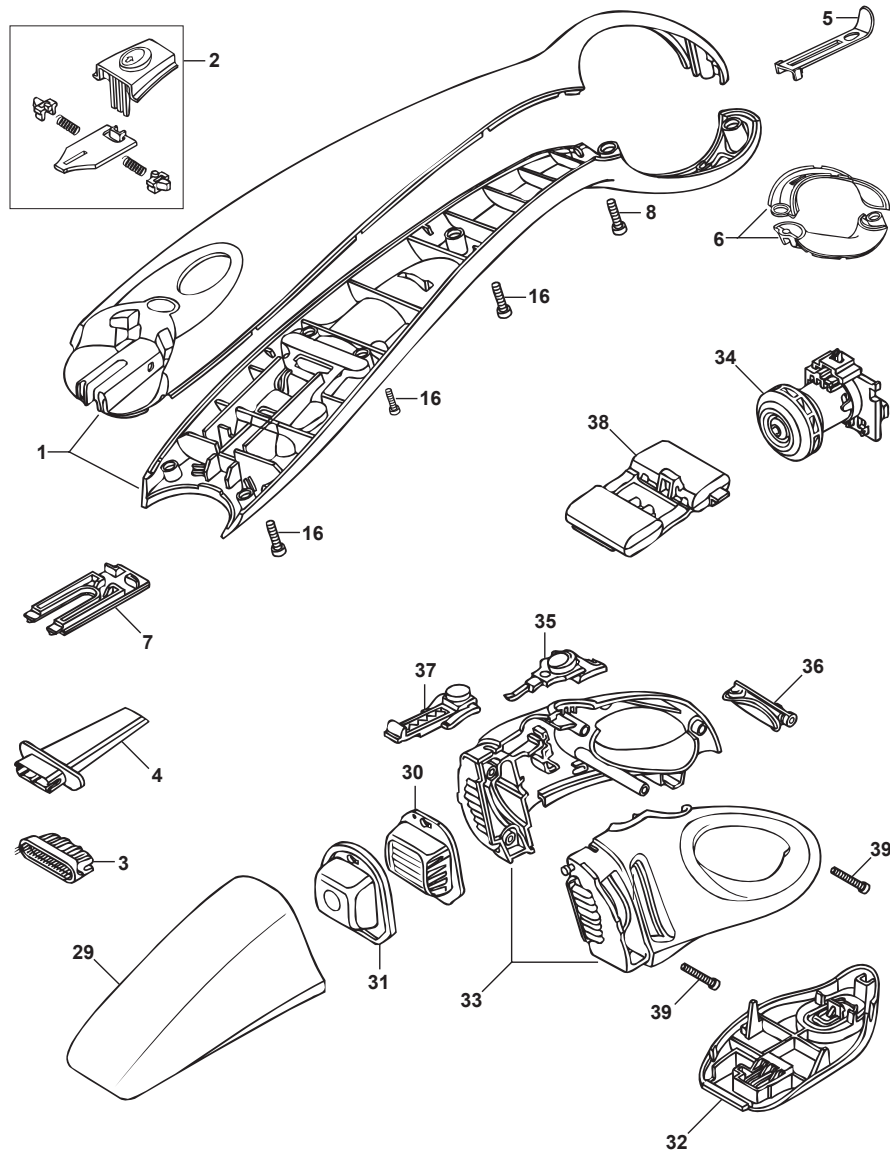
- ◆ The product has been used for trade, professional or hire purposes.
- ◆ The product has been subjected to misuse or neglect.
- ◆ The product has sustained damage through foreign objects, substances or accidents.
- ◆ Repairs have been attempted by persons other than authorised repair agents or Black & Decker service staff.

To claim on the guarantee, you will need to submit proof of purchase to the seller or an authorised repair agent. You can check the location of your nearest authorised repair agent by contacting your local Black & Decker office at the address indicated in this manual. Alternatively, a list of authorised Black & Decker repair agents and full details of our after-sales service and contacts are available on the Internet at:

www.2helpU.com

Please visit our website **www.blackanddecker.co.uk** to register your new Black & Decker product and to be kept up to date on new products and special offers. Further information on the Black & Decker brand and our range of products is available at **www.blackanddecker.co.uk**.





Australia

Black & Decker (Australia) Pty. Ltd. Tel. 03-8720 5100
20 Fletcher Road, Mooroolbark, Fax 03-9727 5940
Victoria, 3138

New Zealand

Black & Decker Tel. 09 579 7600
81 Hugo Johnston Drive Fax 09 579 8200
Penrose, Auckland, New Zealand

United Kingdom

Black & Decker Tel. 01753 511234
210 Bath Road Fax 01753 551155
Slough, Berkshire SL1 3YD Helpline 01753 574277