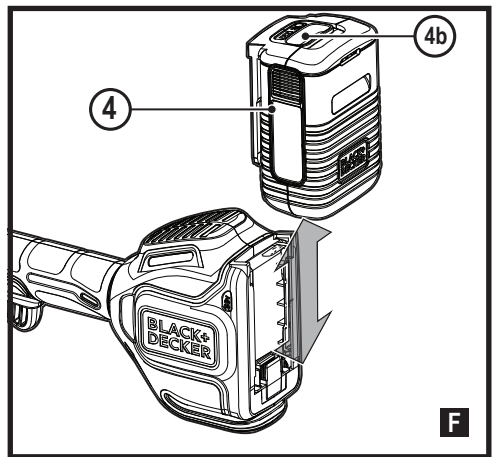
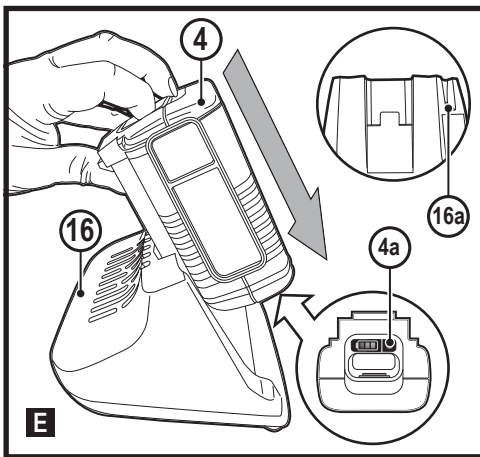
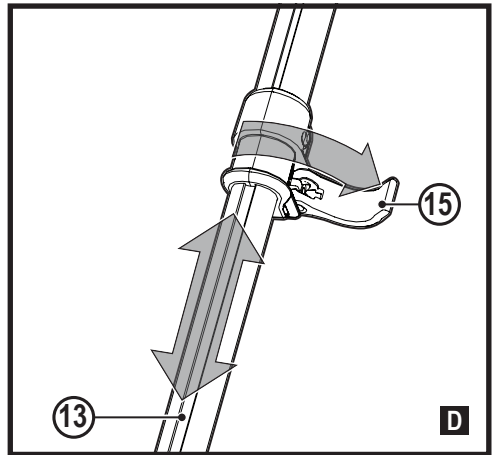
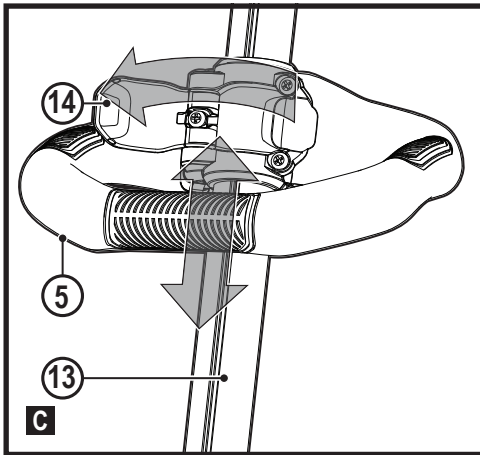
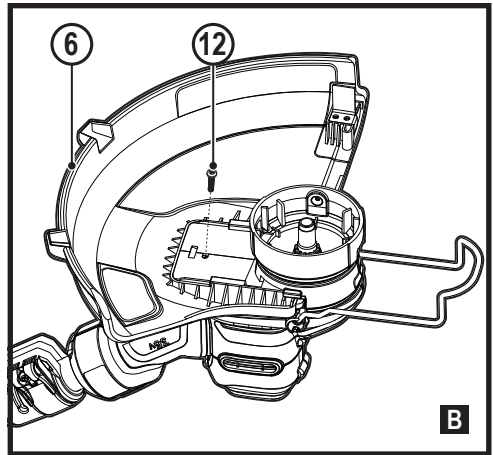
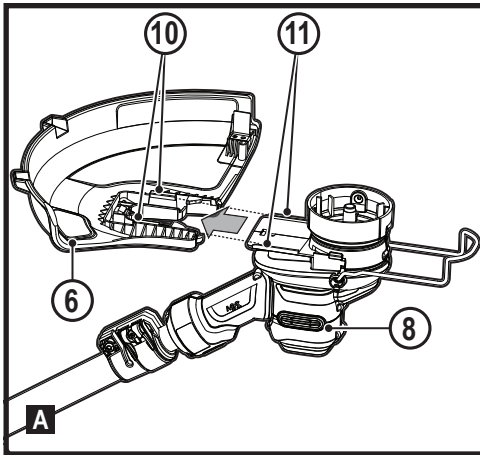
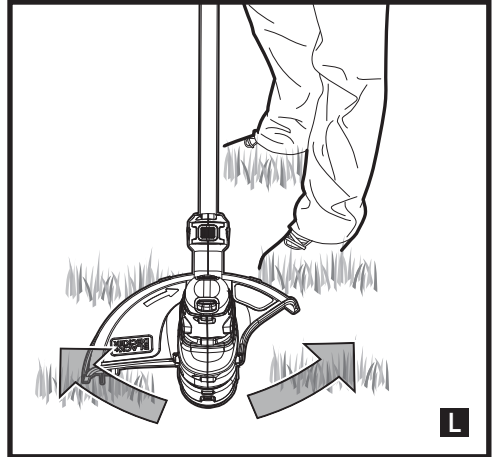
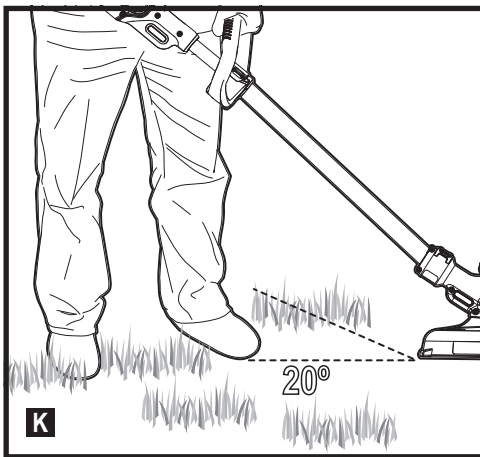
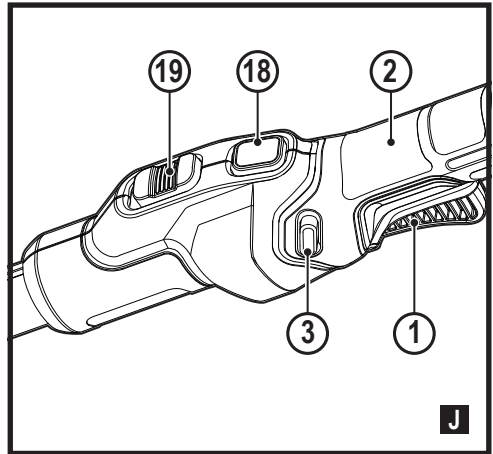
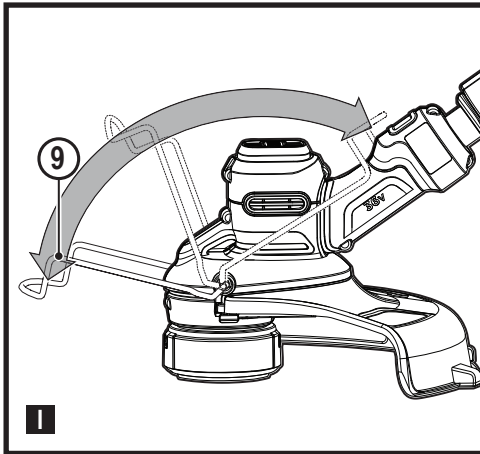
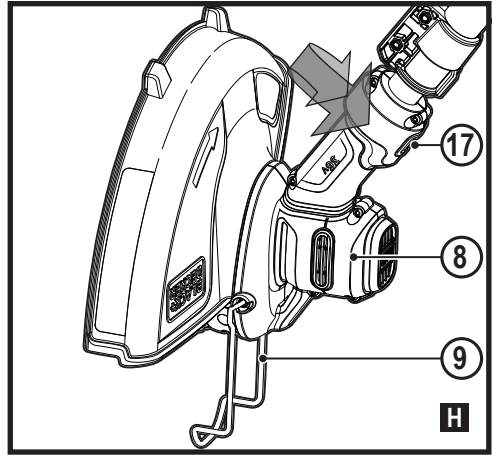
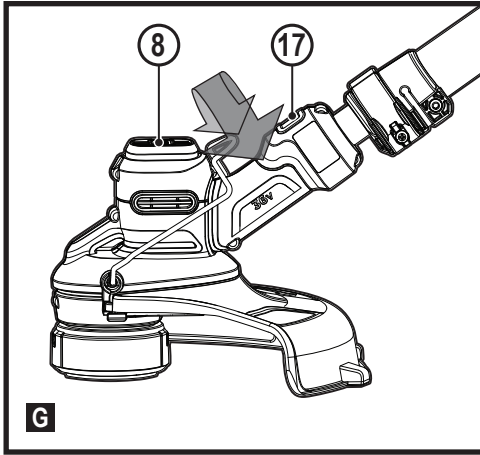
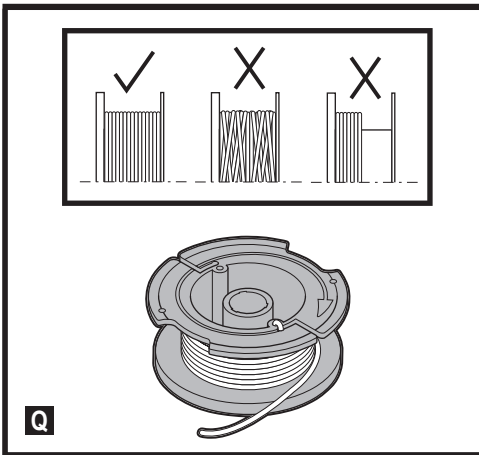
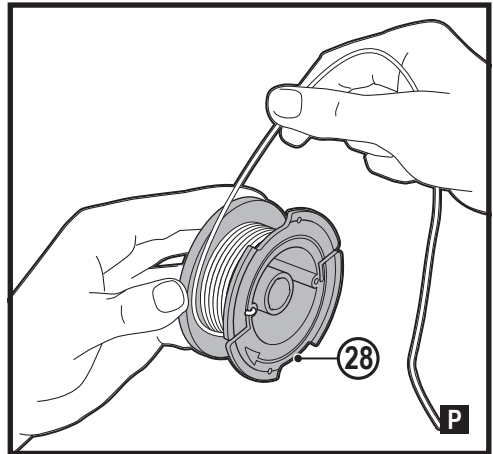
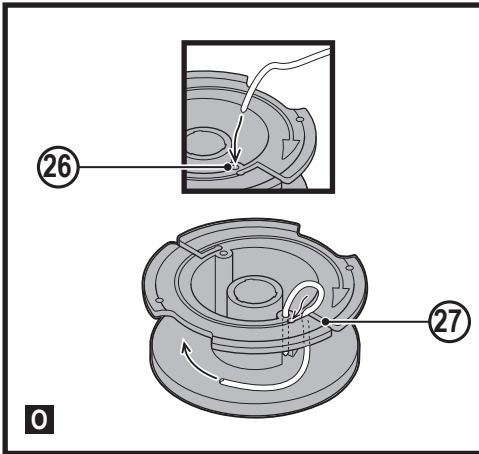
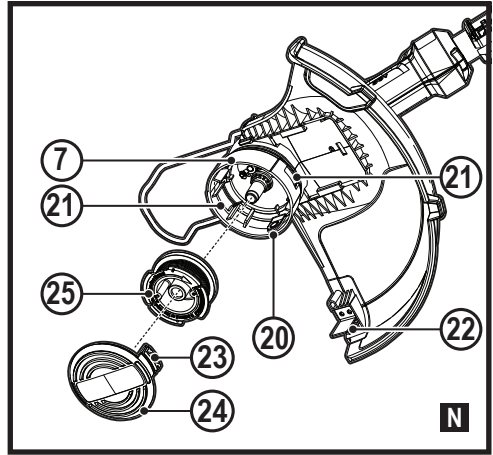
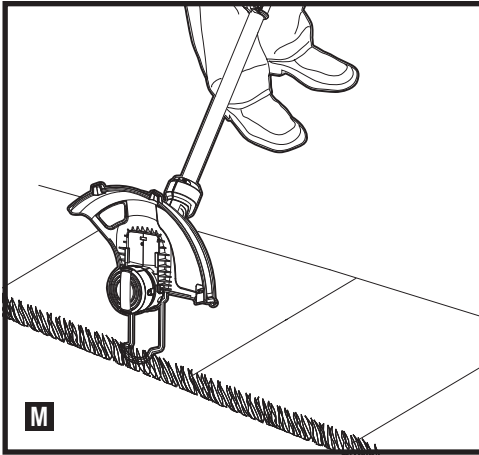


www.blackanddecker.com

BCSTA536







Intended use

Your BLACK+DECKER™ BCSTA536 trimmer has been designed for trimming and finishing lawn edges and to cut grass in confined spaces. This appliance is intended for consumer use only.

Safety instructions

Warning! When using mains-powered appliances, basic safety precautions, including the following, should always be followed to reduce the risk of fire, electric shock, personal injury and material damage.

Warning! When using the machine the safety rules must be followed. For your own safety and bystanders please read these instructions before operating the machine. Please keep the instructions safe for later use.

- ◆ Read all of this manual carefully before operating the appliance.

The intended use is described in this manual. The use of any accessory or attachment or the performance of any operation with this appliance other than those recommended in this instruction manual may present a risk of personal injury.
Retain this manual for future reference.

Using your appliance

Always take care when using the appliance.

Always use safety glasses or goggles.

Never allow children or people unfamiliar with the instructions to use the appliance.

Do not allow children or animals to come near the work area or to touch the appliance or power supply cord. Close supervision is necessary when the appliance is used near children.

This appliance is not intended for use by young or infirm persons without supervision.

This appliance is not to be used as a toy.

Only use the appliance in daylight or good artificial light. Use in a dry location only. Do not allow the appliance to become wet.

Do not immerse the appliance in water.

Do not open the body casing. There are not user-serviceable parts inside.

Do not operate the appliance in explosive atmospheres, such as in the presence of flammable liquids, gases or dust.

To reduce the risk of damage to plugs or cords, never pull the cable to remove the plug from a socket.

Safety of others

This appliance is not intended for use by persons (including children) with reduced physical, sensory or mental capabilities, or lack of experience and knowledge, unless they have been given supervision or instruction concerning use of the appliance by a person responsible for their safety.

Children must be supervised to ensure that they do not play with the appliance.

Residual risks.

Additional residual risks may arise when using the tool which may not be included in the enclosed safety warnings. These risks can arise from misuse, prolonged use etc.

Even with the application of the relevant safety regulations and the implementation of safety devices, certain residual risks can not be avoided. These include:

Injuries caused by touching any rotating/moving parts.

Injuries caused when changing any parts, blades or accessories.

Injuries caused by prolonged use of a tool.

When using any tool for prolonged periods ensure you take regular breaks.

Impairment of hearing.

Health hazards caused by breathing dust developed when using your tool (example:- working with wood, especially oak, beech and MDF.)

After use

When not in use, the appliance should be stored in a dry, well ventilated place out of reach of children.

Children should not have access to stored appliances.

When the appliance is stored or transported in a vehicle it should be placed in the boot or restrained to prevent movement following sudden changes in speed or direction.

Inspection and repairs

Before use, check the appliance for damaged or defective parts. Check for breakage of parts and any other conditions that may affect its operation.

Do not use the appliance if any part is damaged or defective.

Have any damaged or defective parts repaired or replaced by an authorised repair agent.

Never attempt to remove or replace any parts other than those specified in this manual.

Additional safety instructions for grass trimmers

Warning! Cutting elements continue to rotate after the motor is switched off.

Be familiar with the controls and the proper use of the appliance.

Before use, check the power supply cord and extension cord for signs of damage, ageing and wear. If a cord becomes damaged during use, disconnect the cord from the mains supply immediately. **DO NOT TOUCH THE CORD BEFORE DISCONNECTING THE SUPPLY.**

Do not use the appliance if the cords are damaged or worn.

Wear stout shoes or boots to protect your feet.

Wear long trousers to protect your legs.

Before using the appliance, check that your cutting path is free from sticks, stones, wire and any other obstacles.

Only use the appliance in the upright position, with the cutting line near the ground. Never switch the appliance on in any other position.

Move slowly when using the appliance. Be aware that freshly cut grass is damp and slippery.

Do not work on steep slopes. Work across the face of slopes, not up and down.

Never cross gravel paths or roads while the appliance is running.

Never touch the cutting line while the appliance is running.

Do not put the appliance down until the cutting line has come to a complete standstill.

Use only the appropriate type of cutting line. Never use metal cutting line or fishing line.

Be careful not to touch the line trimming blade.

Take care to keep the mains cable away from the cutting line. Always be aware of the position of the cable.

Keep hands and feet away from the cutting line at all times, especially when switching on the motor.

Before using the appliance and after any impact, check for signs of wear or damage and repair as necessary.

Never operate the appliance with damaged guards or without guards in place.

Take care against injury from any device fitted for trimming the filament line length. After extending new cutter line always return the machine to its normal operating position before switching on.

Always ensure that the ventilation slots are kept clear of debris.

Do not use the lawn trimmer (edge trimmer), if the cords are damaged or worn.

Keep extension cords away from cutting elements.

Labels on appliance

The following pictograms are shown on the tool along with the date code:



Read the manual prior to operation.



Wear safety glasses or goggles when operating this appliance.



Wear suitable ear protectors when operating this appliance.



Switch the tool off. Before performing any maintenance on the tool, remove the battery from the tool.



Beware of flying objects. Keep bystanders away from the cutting area.



Do not expose the appliance to rain or high humidity.



Directive 2000/14/EC guaranteed sound power.

Additional safety instructions for batteries and chargers

Batteries

Never attempt to open for any reason.

Do not expose the battery to water.

Do not store in locations where the temperature may exceed 40 °C.

Charge only at ambient temperatures between 10 °C and 40 °C.

Charge only using the charger provided with the tool.

When disposing of batteries, follow the instructions given in the section "Protecting the environment".



Do not attempt to charge damaged batteries.

Chargers

Use your BLACK+DECKER charger only to charge the battery in the tool with which it was supplied. Other batteries could burst, causing personal injury and damage.

Never attempt to charge non-rechargeable batteries.

Have defective cords replaced immediately.

Do not expose the charger to water.

Do not open the charger.

Do not probe the charger.



The charger is intended for indoor use only.



Read the instruction manual before use.

Electrical safety



Your charger is double insulated; therefore no earth wire is required. Always check that the mains voltage corresponds to the voltage on the rating plate. Never attempt to replace the charger unit with a regular mains plug.

If the supply cord is damaged, it must be replaced by the manufacturer or an authorised BLACK+DECKER Service Centre in order to avoid a hazard.

Features

This appliance includes some or all of the following features.

1. On/off switch
2. Handle
3. Lock off button
4. Battery
5. Second handle
6. Guard

7. Spool housing
8. Head
9. Edge guide

Assembly

Warning! Before assembly, make sure that the tool is switched off and the battery has been removed.

Fitting the guard (fig. A & B)

Remove the screw from the guard.

Keeping the guard (6) square to the trimmer head (8) slide it into place until the retaining tab clicks into place (Ensure that the guide rails (10) on the guard (6) are correctly aligned with the guide rails (11) on the trimmer head (8).

Secure the guard (6) with the screw (12).

Warning! Never use the tool unless the guard is properly fitted.

Adjusting the position of the secondary handle (fig. C)

The second handle (5) can be adjusted to provide optimum balance and comfort.

Lift the locking clamp (14) on the secondary handle.

Gently slide the secondary handle (5) up or down the tube (13) to the desired height.

Secure the locking clamp (14) once the desired position has been achieved.

Adjusting the height of the tool (fig. D)

This tool has a telescopic mechanism, allowing you to set it to a comfortable height. There are multiple height settings.

To adjust the height setting, proceed as follows:

Release the height adjust locking clamp (15).

Gently pull the tube (13) up or down to the desired height.

Close the height adjust locking clamp (15).

Releasing the cutting line

In transit, the cutting line is taped to the spool housing.

Warning! Before assembly, remove the battery from the tool.

Remove the tape holding the cutting line to the spool housing (7).

Charging the battery (fig. E)

The battery needs to be charged before first use and whenever it fails to produce sufficient power on jobs that were easily done before. The battery may become warm while charging; this is normal and does not indicate a problem.

Warning! Do not charge the battery at ambient temperatures below 10 °C or above 40 °C. Recommended charging temperature: approx. 24 °C.

Note: The charger will not charge a battery if the cell temperature is below approximately 10 °C or above 40 °C. The battery should be left in the charger and the charger will begin to charge automatically when the cell temperature warms up or cools down.

To charge the battery (4), insert it into the charger (16).

The battery will only fit into the charger in one way. Do not force. Be sure that the battery is fully seated in the charger.

Plug in the charger and switch on at the mains.

The charging indicator (16a) will flash green continuously (slowly).

The charge is complete when the charging indicator (16a) lights green continuously. The charger and the battery can be left connected indefinitely with the LED illuminated. The LED will change to flashing green (charging) state as the charger occasionally tops up the battery charge. The charging indicator (16a) will be lit as long as the battery is connected to the plugged-in charger.

Charge discharged batteries within 1 week. Battery life will be greatly diminished if stored in a discharged state.

Leaving the battery in the charger

The charger and battery pack can be left connected with the LED glowing indefinitely. The charger will keep the battery pack fresh and fully charged.

Charger diagnostics

If the charger detects a weak or damaged battery, the charging indicator (16a) will flash red at a fast rate. Proceed as follows:

Re-insert the battery (4).

If the charging indicators continues flashing red at a fast rate, use a different battery to determine if the charging process works properly.

If the replaced battery charges correctly, the original battery is defective and should be returned to a service centre for recycling.

If the new battery gives the same indication as the original battery, take the charger to be tested at an authorised services centre.

Note: It may take as long as 30 minutes to determine that the battery is defective. If the battery is too hot or too cold, the LED will alternately blink red, fast and slow, one flash at each speed and repeat.

State of charge indicator (fig. E)

The battery is fitted with a state of charge indicator. This can be used to display the current level of charge in the battery during use and during charging.

Press the state of charge indicator button (4a).

Fitting and removing the battery (fig. F)

To fit the battery (4), line it up with the receptacle on the tool. Slide the battery into the receptacle and push until the battery snaps into place.

To remove the battery, push the release button (4b) while at the same time pulling the battery out of the receptacle.

Use

Warning! Let the tool work at its own pace. Do not overload.

Setting the tool to trimming or edging mode (fig. G, H)

The tool can be used in trimming mode as shown in fig. G or in edging mode to trim overhanging grass along lawn edges and flower beds as shown in fig. H.

Trimming mode (fig. G)

For trimming, the trimmer head should be in the position shown in fig. G. If it is not:

Remove the battery from the tool.

Press and hold the head release button (17).

Whilst holding the handle, rotate the head (8) clockwise.

Release the head release button (17).

Lift the edge guide (9) into the closed position.

Note: Note: The head will only rotate in one direction.

Edging mode (fig. H, I)

For edging, the trimmer head should be in the position shown in fig. H. If it is not:

Remove the battery from the tool.

Press and hold the head release button (17).

Whilst holding the handle, rotate the head (8) anti-clockwise.

Release the head release button (17).

Drop the edge guide in to the open position. Ensure that the edging guide (9) is all the way down, an audible click will be heard.

Note: The head will only rotate in one direction.

Switching on and off (fig. J)

To switch the tool on, press in and hold the lock off button (3) then squeeze the trigger lever (1). Once the tool is running you may release the lock off button (3).

To switch the tool off, release the trigger lever.

Warning! Never attempt to lock the trigger lever in the on position.

Hints for optimum use

General

In order to achieve optimum cutting results, only cut dry grass.

Trimming

Hold the tool as shown in fig. K

Gently swing the trimmer from side to side as shown in fig. L.

When cutting long grass, work in stages from the top. Take small cuts.

Keep the tool away from hard objects and delicate plants.

Cutting line will wear faster and require more feeding if the cutting is done along pavements or other abrasive surfaces or heavier weeds are being cut.

If the tool starts running slowly, reduce the load.

Edging

Optimum cutting results are achieved on edges deeper than 50 mm.

Do not use the tool to create edges. To create edges, use an edging spade.

Guide the tool as shown in fig. M.

To make a closer cut, slightly tilt the tool.

Fitting a new spool of cutting line (fig. N, O)

Replacement spools of cutting line are available from your BLACK+DECKER dealer (cat. no. A6481). Three Spool packs of cutting line are also available (cat. no. A6485).

Remove the battery from the tool.

Keep the tabs (23) depressed and remove the spool cover (24) from the housing (7).

Remove the empty spool (25) from the housing.

Remove any dirt and grass from the spool cover and housing.

Take the new spool and push it onto the boss in the housing. Rotate the spool slightly until it is seated.

Unclip the end of the cutting line and guide the line into the eyelet (26). The line should protrude approx. 11 cm from the spool cover as shown in fig. O.

Align the tabs (23) on the spool cover with the cut outs (21) in the housing.

Push the cover onto the housing until it snaps securely into place.

Warning! If the cutting lines protrude beyond the trimming blade (22), cut them off so that they just reach the blade.

Winding new line onto an empty spool (fig. P, Q)

You may wind new cutting line onto an empty spool.

Replacement packs of cutting line are available from your BLACK+DECKER dealer (cat. no. A6170 [25m], A6171 [40m]).

Remove the empty spool from the tool as described above.

Remove any remaining cutting line from the spool.

Feed 2 cm of cutting line into the hole (31) in the spool as shown (fig. O).

Bend the cutting line and anchor it in the L-shaped slot (27).

Wind the cutting line onto the spool in the direction of the arrow. Make sure to wind the line on neatly and in layers. Do not criss-cross (fig. Q).

When the wound cutting line reaches the recesses (28), cut the line. Let the line protrude approx. 11 cm from the spool and hold a finger on the line to keep it in place.

Proceed as described above to fit the spool on the tool.

Warning! Only use the appropriate type of BLACK+DECKER cutting line.

Troubleshooting

If your tool seems not to operate properly, follow the instructions below. If this does not solve the problem, please contact your local BLACK+DECKER repair agent.

Warning! Before proceeding, remove the battery from the tool.

Appliance runs slowly

Check that the spool housing can rotate freely. Carefully clean it if necessary.

Check that the cutting line does not protrude more than 11 cm from the spool housing. If it does, cut it off so that it just reaches the line trimming blade.

Automatic line feed does not work (BCSTA536 only)

Keep the tabs depressed and remove the spool cover from the housing.

Pull the cutting line until it protrudes 11 cm from the housing. If insufficient cutting line is left on the spool, install a new spool of cutting line as instructed above.

Align the tabs on the spool cover with the cut outs in the housing.

Push the cover onto the housing until it snaps securely into place.

If the cutting line protrudes beyond the trimming blade, cut it off so that it just reaches the blade.

If the automatic line feed still does not work or the spool is jammed, try the following suggestions:

Carefully clean the spool cover and housing.

Remove the spool and check if the lever can move freely.

Remove the spool and unwind the cutting line, then wind it on neatly again as described above. Replace the spool as instructed.

Maintenance

Your BLACK+DECKER corded/cordless appliance/tool has been designed to operate over a long period of time with a minimum of maintenance. Continuous satisfactory operation depends upon proper tool/appliance care and regular cleaning.

Your charger does not require any maintenance apart from regular cleaning.

Warning! Before performing any maintenance on corded/cordless power tools:

Switch off and unplug the appliance/tool.

Or switch off and remove the battery from the appliance/tool if the appliance/tool has a separate battery pack.

Or run the battery down completely if it is integral and then switch off.

Unplug the charger before cleaning it. Your charger does not require any maintenance apart from regular cleaning.

Regularly clean the ventilation slots in your tool/appliance and charger using a soft brush or dry cloth.

Regularly clean the motor housing using a damp cloth. Do not use any abrasive or solvent-based cleaner.

Regularly clean the cutting line and spool using a soft brush or dry cloth.

Regularly use a blunt scraper to remove grass and dirt from the underneath of the guard.

Protecting the environment



Separate collection. Products and batteries marked with this symbol must not be disposed of with normal household waste

Products and batteries contain materials that can be recovered or recycled reducing the demand for raw materials. Please recycle electrical products and batteries according to local provisions. Further information is available at www.2helpU.com

Technical data

		BCSTA536 H 1
Input Voltage	V _{DC}	36
No-Load Speed	min ⁻¹	6300-7300 RPM
Weight	kg	3.2
Battery		BL2536
Voltage	V _{DC}	36
Capacity	Ah	2.5
Type		Li-Ion
Charger		90616337-xx
Input Voltage	V _{AC}	230
Output Voltage	V _{DC}	36
Current	mA	1300
Approx. charge time	h	1.5-2.0

Hand/arm weighted vibration value according to EN 786:
 $= 3 \text{ m/s}^2$, uncertainty (K) = 1.5 m/s^2 .

L_{PA} (sound pressure) ??? dB(A)
 uncertainty (K) = ??? dB(A)

EC declaration of conformity

MACHINERY DIRECTIVE
 OUTDOOR NOISE DIRECTIVE



BCSTA636 - Trimmer

Black & Decker declares that these products described under
 "technical data" are in compliance with:
 2006/42/EC, EN 60335-1: 2012 +A11:2014,
 EN 60335-2-91:2003

2000/14/EC, Lawn Trimmer, $L \leq 50 \text{ cm}$, Annex VIII
 KEMA Quality B.V., Utrechtseweg 310, 6802 ED Arnhem,
 The Netherlands
 Notified Body ID No.: 0344

Level of acoustic power according to 2000/14/EC
 (Article 12, Annex III, $L \leq 50 \text{ cm}$):
 L_{WA} (measured sound power) ??? dB(A)
 uncertainty (K) = ????? dB(A)
 L_{WA} (guaranteed sound power) ????? dB(A)

These products also comply with Directive 2004/108/EC (until
 19/04/2016) 2014/30/EU (from 20/04/2016) and 2011/65/EU.
 For more information, please contact Black & Decker at the
 following address or refer to the back of the manual.

The undersigned is responsible for compilation of the technical
 file and makes this declaration on behalf of Black & Decker.

Andrew Smith
 Technical Director
 Black & Decker Europe, 270 Bath Road, Slough,
 Berkshire, SL1 4DX, England

Guarantee

Black & Decker is confident of the quality of its products
 and offers consumers a 24 month guarantee from the date
 of purchase. This guarantee is in addition to and in no way
 prejudices your statutory rights. The guarantee is valid within
 the territories of the Member States of the European Union
 and the European Free Trade Area.

To claim on the guarantee, the claim must be in accordance
 with Black & Decker Terms and Conditions and you will need
 to submit proof of purchase to the seller or an authorised
 repair agent.

Terms and conditions of the Black & Decker 2 year guarantee
 and the location of your nearest authorised repair agent
 can be obtained on the Internet at www.2helpU.com, or by
 contacting your local Black & Decker office at the address
 indicated in this manual:

Please visit our website www.blackanddecker.co.uk to register
 your new BLACK+DECKER product and receive updates on
 new products and special offers.

Назначение

Ваша cordовая газонокосилка BLACK+DECKER™ BCSTA536 предназначена кошения травы на ограниченных участках, а так же для обработки кромок газонов. Инструмент предназначен только для бытового использования.

Правила техники безопасности

Внимание! Для снижения риска возникновения пожара, поражения электрическим током, получения травм и материального ущерба при использовании инструментов с питанием от сети нужно обязательно соблюдать основные меры предосторожности, включая следующее.

Внимание! При использовании инструмента обязательно соблюдайте правила техники безопасности. Для Вашей собственной безопасности и безопасности окружающих прочитайте данное руководство, прежде чем приступить к работе с инструментом. Сохраните руководство для дальнейшего использования.

- ◆ Прежде чем приступить к работе с инструментом, внимательно прочтите настоящее руководство. В данном руководстве описано предусмотренное применение. Использование каких-либо принадлежностей или насадок, а также выполнение каких-либо операций, отличных от рекомендованных в данном руководстве, может привести к травмам. Сохраните данное руководство для справки в будущем.

Использование инструмента

Сохраняйте бдительность при использовании инструмента.

При работе всегда надевайте защитные очки.

Не позволяйте детям или лицам, незнакомым с данными инструкциями, использовать инструмент. Не позволяйте детям или животным находиться поблизости от места выполнения работ или прикасаться к кабелю питания.

При работе рядом с детьми необходимо особое внимание.

Данный инструмент не предназначен для использования несовершеннолетними или лицами с ограниченными возможностями, если они не находятся под присмотром.

Инструмент не предназначен для игры.

Используйте инструмент только днем или при хорошем искусственном освещении.

Использовать только в сухом месте. Не допускайте попадания влаги в инструмент.

Не погружайте инструмент в воду.

Запрещается вскрывать корпус. Внутри инструмента нет деталей, обслуживаемых пользователем.

Не используйте инструмент во взрывоопасной среде, например, при наличии горючих жидкостей, газов или пыли.

Во избежание повреждения вилки и кабеля не тяните за кабель, отсоединяя инструмент от розетки.

Безопасность окружающих

Данный инструмент не предназначен для использования лицами (включая детей) с ограниченными физическими, сенсорными или ментальными возможностями, а также лицами без достаточного опыта и знаний, если только они не делают этого под руководством лица имеющего соответствующий опыт и отвечающего за их безопасность.

Не позволяйте детям играть с данным инструментом.

Остаточные риски.

При работе данным инструментом возможно возникновение дополнительных остаточных рисков, которые не вошли в описанные здесь правила техники безопасности. Эти риски могут возникнуть при неправильном или продолжительном использовании изделия и т. п.

Несмотря на соблюдение соответствующих инструкций по технике безопасности и использование предохранительных устройств, некоторые остаточные риски невозможно полностью исключить. К ним относятся:

Травмы в результате касания вращающихся/движущихся частей.

Травмы, которые могут произойти в результате смены деталей, лезвий или дополнительных принадлежностей.

Травмы, связанные с продолжительным использованием инструмента.

При использовании любого инструмента в течение продолжительного периода времени, не забывайте делать перерывы.

Ухудшение слуха.

Ущерб здоровью в результате вдыхания пыли в процессе работы инструментом (например, при обработке древесины, в особенности, дуба, бука и ДВП)

После использования

Если инструмент не используется, его нужно хранить в сухом, хорошо вентилируемом помещении, недоступном для детей.

Дети не должны иметь доступа к помещенным на хранение инструментам.

Если инструмент хранится или транспортируется в транспортном средстве, его нужно поместить в багажник или закрепить во избежание перемещения

в результате резкого изменения скорости или направления движения.

Проверка и ремонт

Перед началом использования, проверьте инструмент на наличие поврежденных или неисправных деталей.

Проверьте наличие сломанных деталей и прочих условий, способных повлиять на его работу.

Не используйте инструмент, если какая-либо его деталь повреждена или неисправна.

Поврежденные или неисправные детали должен исправить или заменить уполномоченный специалист по ремонту.

Не пытайтесь снимать или заменять какие-либо компоненты, отличные от указанных в данном руководстве.

Дополнительные меры безопасности при работе кордовыми газонокосилками

Внимание! Режущие части продолжают вращаться после выключения электродвигателя.

Ознакомьтесь со средствами управления и правильным использованием инструмента.

Перед использованием проверьте кабель питания и удлинительный кабель на предмет повреждений или износа. Если кабель поврежден во время работы, немедленно отсоедините его от сети. **НЕ ПРИКАСАЙТЕСЬ К КАБЕЛЮ ПЕРЕД ОТКЛЮЧЕНИЕМ ПИТАНИЯ.**

Не используйте инструмент, если кабель поврежден или изношен.

Надевайте прочную обувь для защиты ног.

Надевайте длинные брюки, чтобы защитить ноги.

Перед использованием инструмента убедитесь, что в области под скос нет палок, камней, проволоки и других препятствий.

Используйте инструмент только в вертикальном положении, режущей леской к земле. Не включайте инструмент в каком-либо другом положении.

При использовании инструмента передвигайтесь медленно. Помните, что свежескошенная трава может быть влажной и скользкой.

Не работайте на крутых склонах. Работайте вдоль поверхности уклона, а не вверх и вниз.

Не пересекайте гравийные дорожки или дороги с работающим инструментом.

Не прикасайтесь к режущей леске включенного инструмента.

Не ставьте инструмент на землю до тех пор, пока режущая леска не остановится полностью.

Используйте только режущую леску соответствующего типа. Не используйте металлическую режущую леску или рыболовную леску.

Соблюдайте осторожность, чтобы не прикасаться к лезвию для обрезания лески.

Держите кабель питания на расстоянии от режущей лески. Всегда следите за положением кабеля.

Всегда держите руки и ноги на безопасном расстоянии от режущей лески, особенно при включении электродвигателя.

Проверяйте инструмент на предмет поврежденный перед каждым использованием и после каждого столкновения и выполняйте ремонт по необходимости.

Не используйте инструмент с поврежденными защитными кожухами или без них.

Будьте осторожны, чтобы не получить травму от какого-либо из устройств для обрезки лески.

После выдвигания новой режущей лески всегда возвращайте инструмент в нормальное рабочее положение перед тем, как его включить.

Всегда удостоверьтесь, что вентиляционные отверстия чисты от загрязнений.

Не используйте кордовую газонокосилку, если кабель поврежден или изношен.

Держите удлинители на расстоянии от режущих элементов.

Маркировка инструмента

Наравне с кодом даты на инструменте имеются следующие значки:



Прочтите руководство по эксплуатации перед работой с инструментом.



При работе с инструментом, надевайте защитные очки или маску.



При работе с инструментом, надевайте защитные наушники.

Выключайте инструмент. Перед выполнением любых работ по обслуживанию инструмента, извлекайте аккумуляторную батарею из инструмента.



Остерегайтесь летящих предметов. Не допускайте присутствия посторонних лиц в области кошения.



Не подвергайте инструмент воздействию дождя или высокой влажности.



Гарантированная акустическая мощность в соответствии с Директивой 2000/14/ЕС.

Дополнительные меры безопасности при работе с аккумуляторными батареями и зарядными устройствами

Аккумуляторные батареи

Никогда не пытайтесь разобрать аккумуляторные батареи.

Не подвергайте аккумуляторные батареи воздействию воды.

Не оставляйте в местах, где температура превышает 40 °С.

Заряжайте только при температуре 10 °С –40 °С.

Заряжайте аккумуляторные батареи только с зарядным устройством, которое прилагается к инструменту.

При утилизации батарей следуйте инструкциям, указанным в разделе «Защита окружающей среды».



Не пытайтесь заряжать поврежденные аккумуляторные батареи.

Зарядные устройства

Используйте свое зарядное устройство BLACK+DECKER только для зарядки аккумуляторной батареи инструмента, с которым оно поставлялось.

Использование аккумуляторных батарей другого типа может привести к взрыву, травмам и повреждениям.

Не пытайтесь заряжать одноразовые батареи.

Немедленно заменяйте поврежденный кабель питания.

Не подвергайте зарядное устройство воздействию воды.

Не вскрывайте зарядное устройство.

Не разбирайте зарядное устройство.



Зарядное устройство можно использовать только в помещении.



Перед началом работы прочтите руководство по эксплуатации.

Электробезопасность



Ваше зарядное устройство имеет двойную изоляцию, поэтому не требует заземления. Необходимо обязательно убедиться в том, что напряжение источника питания соответствует указанному на паспортной табличке устройства. Никогда не пытайтесь заменить зарядное устройство обычной сетевой розеткой.

Если поврежден кабель питания, его нужно заменить у производителя или в официальном сервисном центре BLACK+DECKER, чтобы избежать рисков.

Составные части

Ваш инструмент может содержать все или некоторые из перечисленных ниже составных частей.

1. Пусковой выключатель
2. Рукоятка
3. Кнопка блокировки
4. Аккумуляторная батарея
5. Дополнительная рукоятка
6. Защитный кожух
7. Корпус катушки
8. Головка
9. Защитная скоба

Сборка

Внимание! Перед сборкой убедитесь в том, что инструмент выключен, а батарея извлечена.

Установка кожуха (Рис. А и В)

Выверните винт из защитного кожуха.

Удерживая кожух (6) под прямым углом к головке газонокосилки (8), вставьте его так, чтобы стопорное ушко встало на место со щелчком (убедитесь, что направляющие (10) на кожухе (6) правильно совмещены с направляющими (11) на головке газонокосилки (8)).

Закрепите кожух (6) с помощью винта (12).

Внимание! Не используйте инструмент, если кожух не установлен надлежащим образом.

Регулировка положения дополнительной рукоятки (Рис. С)

Дополнительную рукоятку (5) можно отрегулировать для оптимальной балансировки и удобства.

Поднимите зажим (14) на дополнительной рукоятке.

Аккуратно двигайте дополнительную рукоятку (5) вверх или вниз по штанге (13) до нужной высоты.

Закрепите зажим (14) по достижении нужного положения.

Регулировка высоты инструмента (Рис. D)

Инструмент оснащен телескопическим механизмом, позволяющим регулировать его до удобной высоты.

Существует несколько положений высоты.

Чтобы отрегулировать высоту, сделайте следующее:

Высвободите зажим регулировки высоты (15).

Аккуратно потяните штангу (13) вверх или вниз до нужной высоты.

Затяните зажим регулировки высоты (15).

Освобождение режущей лески

При транспортировке режущая леска зафиксирована на корпусе катушки лентой.

Внимание! Снимите аккумуляторную батарею с инструмента перед сборкой.

Удалите ленту, фиксирующую режущую леску на корпусе катушки (7).

Зарядка аккумуляторной батареи (Рис. Е)

Аккумуляторную батарею нужно заряжать перед первым использованием и каждый раз, когда заряда недостаточно для выполняемых работ. Во время зарядки аккумуляторная батарея нагревается. Это нормальная ситуация, которая не указывает на неисправность.

Внимание! Не заряжайте батарею при температуре окружающей среды ниже 10 °С или выше 40 °С.

Рекомендуемая температура при зарядке: приблизительно 24 °С.

Примечание: Зарядное устройство не будет заряжать аккумулятор, если температура элемента ниже 10 °С или выше 40 °С.

Аккумуляторную батарею нужно оставить в зарядном устройстве; зарядка начнется автоматически, когда температура элемента аккумуляторной батареи выровняется до нормальных значений.

Вставьте батарею (4) в зарядное устройство (16) для выполнения зарядки. Аккумуляторная батарея устанавливается в зарядное устройство только одним способом. Не прилагайте чрезмерные усилия. Проследите, чтобы батарея полностью вошла в зарядное устройство.

Подключите зарядное устройство к сети и включите его.

Индикатор зарядки (16а) начнет мигать зеленым светом (медленно).

Зарядка завершена, когда индикатор зарядки (16а) начнет непрерывно гореть зеленым светом. Аккумуляторную батарею можно оставить подключенной к зарядному устройству на неопределенное время, пока горит светодиод. Светодиод начнет мигать зеленым светом (зарядка), когда зарядное устройство будет периодически подзаряжать аккумуляторную батарею. Индикатор зарядки (16а) будет гореть, пока аккумуляторная батарея находится в подключенном к сети зарядном устройстве.

Заряжайте разряженные батареи 1 раз в неделю.

Срок службы аккумуляторной батареи значительно уменьшается, если ее хранить в разряженном состоянии.

Хранение аккумуляторной батареи в зарядном устройстве

Зарядное устройство и аккумуляторную батарею можно оставить подключенными к сети с горящим светодиодным индикатором. Зарядное устройство будет поддерживать полную зарядку аккумуляторной батареи.

Диагностика зарядного устройства

При обнаружении неисправности самого зарядного устройства или аккумуляторной батареи, индикатор зарядки (16а) начнет мигать красным светом в ускоренном режиме. Выполните следующие действия:

Извлеките и повторно вставьте батарею (4).

Если индикатор продолжает часто мигать красным светом, вставьте другую аккумуляторную батарею, чтобы убедиться, что процесс зарядки проходит в правильном режиме.

Если сменная аккумуляторная батарея заряжается правильно, это означает, что первоначальная аккумуляторная батарея повреждена и должна быть сдана в сервисный центр на утилизацию.

Если при установке сменной батареи наблюдается то же частое мигание, что и при установке первоначальной батареи, отнесите зарядное устройство в сервисный центр для тестирования.

Примечание: На определение неисправности аккумуляторной батареи может понадобиться приблизительно 30 минут. Если аккумуляторная батарея очень горячая или очень холодная, красный светодиод будет попеременно мигать быстро и медленно.

Индикатор состояния заряда (Рис. Е)

На аккумуляторной батарее есть индикатор заряда. Его можно использовать для отображения текущего уровня заряда аккумуляторной батареи во время работы и во время зарядки.

Нажмите на кнопку индикатора заряда (4а).

Установка и извлечение аккумуляторной батареи (Рис. F)

Для установки аккумуляторной батареи (4) совместите ее с приемным гнездом на инструменте. Вставьте аккумуляторную батарею в гнездо и нажмите на нее, чтобы она встала на место.

Чтобы извлечь аккумуляторную батарею, нажмите кнопку разблокировки батарейного отсека (4b), одновременно вытягивая батарею наружу.

Использование

Внимание! Инструмент должен работать в обычном режиме. Избегайте перегрузок.

Установка инструмента в режим стрижки или в режим обработки кромок (Рис. G, H)

Инструмент может использоваться в режиме стрижки, как показано на Рис. G, или в режиме обработки кромок с подстриганием травы вдоль края газона или клумбы, как показано на Рис. H.

Режим стрижки (Рис. G)

Для работы в режиме стрижки головка газонокосилки должна находиться в положении, показанном на Рис. G. Если это не так:

Извлеките аккумуляторную батарею из инструмента. Нажмите и удерживайте кнопку разблокировки головки (17).

Удерживая рукоятку, поверните головку (8) по часовой стрелке.

Отпустите кнопку разблокировки головки (17).

Поднимите защитную скобу (9) в закрытое положение.

Примечание: Примечание: Головка поворачивается только в одном направлении.

Режим обработки кромки (Рис. H, I)

Для обработки кромок, головка газонокосилки должна находиться в положении, показанном на Рис. H. Если это не так:

Извлеките аккумуляторную батарею из инструмента. Нажмите и удерживайте кнопку разблокировки головки (17).

Удерживая рукоятку, поверните головку (8) против часовой стрелки.

Отпустите кнопку разблокировки головки (17).

Опустите направляющую планку в открытое положение. Убедитесь, что направляющая планка (9) полностью опущена до слышимого щелчка.

Примечание: Головка поворачивается только в одном направлении.

Включение и выключение (Рис. J)

Чтобы включить инструмент, нажмите и удерживайте кнопку блокировки (3) и нажмите пусковой выключатель (1). После включения инструмента можно отпустить кнопку блокировки (3).

Чтобы выключить инструмент, отпустите пусковой выключатель.

Внимание! Ни в коем случае не фиксируйте пусковой выключатель в положении включения.

Советы по оптимальному использованию

Общее

Для достижения оптимального результата, подстригайте только сухую траву.

Стрижка

Держите инструмент, как показано на Рис. K

Плавно водите газонокосилкой из стороны в сторону, как показано на Рис. L.

Если трава высокая, обрабатывайте ее поэтапно сверху. Не пытайтесь скосить траву целиком. Избегайте попадания инструмента на твердые предметы и одревесневшие побеги и стебли растений.

Режущая леска будет быстрее изнашиваться и требовать дальнейшей подачи при скашивании травы вдоль тротуаров и других абразивных поверхностей, или при скашивании более тяжелых сорняков.

Если инструмент замедлил темп работы, уменьшите нагрузку.

Обработка кромок

Оптимальный результат достигается при обработке кромок высотой менее 50 мм.

Не используйте инструмент для формирования кромок. Используйте лопатку для формирования кромок.

Направляйте инструмент, как показано на Рис. M.

Для более точной обработки, слегка наклоните инструмент.

Установка новой катушки с режущей леской (Рис. N, O)

Сменные катушки с режущей леской можно приобрести у вашего продавца BLACK+DECKER (№ кат. A6481). Доступны также комплекты по три катушки с лесками (№ кат. A6485).

Извлеките аккумуляторную батарею из инструмента.

Удерживайте ушки (23) нажатыми и снимите крышку катушки (24) с корпуса (7).

Извлеките пустую катушку (25) из корпуса.

Удалите всю грязь и траву с крышки катушки и ее корпуса.

Возьмите новую катушку и насадите на втулку в корпусе. Слегка поверните катушку до полной посадки.

Отсоедините конец режущей лески и проденьте леску через отверстие (26). Леска должна выступать примерно на 11 см из крышки катушки, как показано на Рис. O.

Совместите ушки (23) крышки катушки с углублениями (21) корпуса.

Насадите крышку на корпус до полной фиксации.

Внимание! Если леска выступает за лезвие для обрезки (22) лески, обрежьте ее так, чтобы она только доходила до лезвия.

Наматывание новой лески на пустую катушку (Рис. P, Q)

На пустую катушку можно намотать новую режущую леску. Запасные катушки режущей лески можно приобрести у вашего продавца

BLACK+DECKER (№ кат. A6170 [25 м], A6171 [40 м]).

Извлеките пустую катушку из инструмента, как описано выше.

Удалите остатки лески из катушки.

Подайте 2 см режущей лески в отверстие (31) в катушке, как показано (Рис. O).

Согните режущую леску и вставьте ее в L-образный паз (27).

Намотайте режущую леску на катушку в сторону стрелки. Наматывайте режущую леску аккуратно и послушно. Не наматывайте леску крест-накрест (Рис. Q).

Когда намотанная режущая леска достигает углублений (28), обрежьте леску. Выпустите леску примерно на 11 см из катушки и удерживайте ее пальцем на месте.

Следуйте приведенным выше инструкциям, чтобы установить катушку на инструмент.

Внимание! Используйте только режущую леску BLACK+DECKER подходящего типа.

Неисправности и способы их устранения

В случае возникновения нарушений в работе инструмента, выполняйте приведенные ниже указания. Если неисправность не удается устранить, обратитесь к местному специалисту по ремонту BLACK+DECKER.

Внимание! Перед дальнейшими действиями, снимите аккумуляторную батарею с инструмента.

Инструмент работает медленно

Проверьте, свободно ли вращается корпус катушки.

Тщательно очистите его в случае необходимости.

Убедитесь, что режущая леска не выступает из катушки более, чем на примерно 11 см. При необходимости обрежьте ее таким образом, чтобы она слегка касалась лезвия для обрезания кромки.

Автоматическая подача лески не работает (только для BCSTA536)

Удерживайте ушки нажатыми и снимите крышку катушки с корпуса.

Вытяните режущую леску так, чтобы ее длина составила приблизительно 11 см от катушки. Если леска на катушке слишком короткая, установите новую катушку согласно вышеприведенным инструкциям.

Совместите ушки крышки катушки с углублениями в корпусе.

Насадите крышку на корпус до полной фиксации.

Если леска выступает за лезвие для обрезки лески, обрежьте ее так, чтобы она только доходила до лезвия.

Если автоматическая подача лески по-прежнему не работает или катушка застревает, выполните следующие действия:

Тщательно очистите крышку и корпус катушки.

Снимите катушку и проверьте, свободно ли двигается рычаг.

Демонтируйте катушку и размотайте режущую леску, затем намотайте ее как обратно, как описано выше.

Установите катушку обратно согласно инструкциям.

Техническое обслуживание

Ваше электрическое/аккумуляторное устройство/инструмент BLACK+DECKER рассчитан на работу в течение продолжительного времени при минимальном техническом обслуживании. Для длительной безотказной работы требуется надлежащий уход за инструментом/прибором и его регулярная чистка.

Зарядное устройство не требует никакого обслуживания кроме регулярной чистки.

Внимание! Перед выполнением любых работ по обслуживанию проводных/беспроводных инструментов:

Выключите и отключите от сети прибор/инструмент.

Или выключите инструмент и вытащите аккумуляторную батарею, если для него есть отдельная аккумуляторная батарея.

Или полностью выработайте заряд аккумуляторной батареи, если она встроенная и затем выключите инструмент.

Перед чисткой зарядного устройства отключите его от источника питания. Зарядное устройство не требует никакого обслуживания кроме регулярной чистки.

Регулярно очищайте вентиляционные отверстия инструмента/устройства и зарядное устройство с помощью мягкой щетки или сухой тканевой салфетки.

Регулярно очищайте корпус двигателя с помощью влажной салфетки. Не используйте никакие абразивные чистящие средства или средства на основе растворителей.

Регулярно очищайте режущую леску и катушку с помощью мягкой щетки или сухой тканевой салфетки.

Регулярно счищайте траву и грязь с нижней части защитного кожуха тупым скребком.

Защита окружающей среды



Отдельная утилизация. Изделия и аккумуляторные батареи с данным символом на маркировке запрещается утилизировать с обычными бытовыми отходами

Изделия и аккумуляторные батареи содержат материалы, которые могут быть извлечены или переработаны, снижая потребность в исходном сырье.

Пожалуйста, утилизируйте электрические изделия и аккумуляторные батареи в соответствии с местными нормами. Дополнительная информация доступна по адресу www.2helpU.com

Технические характеристики

		BCSTA536 H 1
Входное напряжение	V _{пост. тока}	36
Скорость без нагрузки	мин. ⁻¹	6300-7300 об/мин
Вес	кг	3,2
Аккумуляторная батарея		BL2536
Напряжение	V _{пост. тока}	36
Емкость	Ач	2,5
Тип		Ионно-литиевая
Зарядное устройство		90616337-xx
Входное напряжение	V _{перем. тока}	230
Выходное напряжение	V _{пост. тока}	36
Ток	мА	1300
Приблизительное время зарядки	ч	1,5-2,0

Вибрационная нагрузка на руку/плечо в соответствии с EN 786:

= 3 м/сек², погрешность (K) = 1,5 м/сек².

L_{PA} (звуковое давление) ??? дБ(A)
погрешность (K) = ??? дБ (A)

Заявление о соответствии нормам ЕС

ДИРЕКТИВА ПО МЕХАНИЧЕСКОМУ ОБОРУДОВАНИЮ
ДИРЕКТИВА ПО ШУМАМ, ПРОИЗВОДИМЫМ ВНЕ
ПОМЕЩЕНИЯ



BCSTA636 – Кордовая газонокосилка

Black & Decker заявляет, что продукция, описанная в разделе «Технические характеристики» соответствует: 2006/42/EC, EN 60335-1: 2012 +A11:2014, EN 60335-2-91:2003

2000/14/EC, Кордовая газонокосилка, L ≤ 50 см,
Приложение VIII
KEMA Quality B.V., Utrechtseweg 310, 6802 ED Arnhem,
The Netherlands
Идентификационный № уведомленного органа: 0344

Уровень акустической мощности в соответствии с директивой 2000/14/EC

(Статья 12, Приложение III, L ≤ 50 см):

L_{WA} (измеренная звуковая мощность) ??? дБ(A)
погрешность (K) = ??? дБ (A)

L_{WA} (гарантированная акустическая мощность) ??? дБ(A)

Эти изделия также соответствуют директивам 2004/108/EC (до 19.04.2016), 2014/30/EU (с 20.04.2016) и 2011/65/EU. За дополнительной информацией обращайтесь в компанию Black & Decker по адресу, указанному ниже или приведенному на задней стороне обложки руководства.

Нижеподписавшийся несет ответственность за составление технической документации и составил данную декларацию по поручению компании Black & Decker.

Andrew Smith
Технический директор
Black & Decker Europe, 270 Bath Road, Slough,
Berkshire, SL1 4DX, Англия

Гарантия

Компания Black & Decker с уверенностью в качестве своей продукции предлагает клиентам гарантию на 24 месяцев с момента покупки. Данная гарантия является дополнительной и ни в коей мере не направлена на ущемление ваших юридических прав. Гарантия действует на территории стран-участниц ЕС и в Европейской зоне свободной торговли.

Чтобы подать заявку по гарантии, заявка должна соответствовать положениям и условиям Black & Decker; кроме того, Вам потребуется предъявить продавцу или авторизованному специалисту по ремонту подтверждение покупки.

Положения и условия 2-летней гарантии Black & Decker

и местонахождение ближайшего авторизованного специалиста по ремонту можно узнать через интернет по адресу www.2helpU.com, или связавшись с местным представительством Black & Decker по адресу, указанному в данном руководстве:

Посетите наш веб-сайт www.blackanddecker.co.uk чтобы зарегистрировать свое новое изделие BLACK+DECKER и получать информацию о новинках и специальных предложениях.



Приложение к руководству по эксплуатации электрооборудования для определения месяца производства по номеру текущей календарной недели года

Электрооборудование торговых марок "Dewalt", "Stanley", "Stanley FatMAX", "BLACK+DECKER".

Директивы 2014/30/EU ЕВРОПЕЙСКОГО ПАРЛАМЕНТА И СОВЕТА от 26 февраля 2014 г. "О гармонизации законодательств Государств-членов ЕС в области электромагнитной совместимости", 2006/42/ЕС ЕВРОПЕЙСКОГО ПАРЛАМЕНТА И СОВЕТА от 17 мая 2006 г. "О машинах и оборудовании", 2014/35/EU ЕВРОПЕЙСКОГО ПАРЛАМЕНТА И СОВЕТА от 26 февраля 2014 г. "О гармонизации законодательств государств-членов в области размещения на рынке электрооборудования, предназначенного для использования в определенных пределах напряжения". Серийный выпуск.

ТОВАР СЕРТИФИЦИРОВАН

Орган по сертификации "РОСТЕСТ- Москва", Адрес: 119049, г. Москва, улица Житная, д. 14, стр. 1; 117418, Москва, Нахимовский просп., 31 (фактический), Телефон: (499) 1292311, (495) 6682893, Факс: (495) 6682893, E-mail: office@rostest.ru
Изготовитель: Изготовитель: Блэк энд Деккер Холдингс ГмБХ, Германия, 65510, Идцлайн, ул. Блэк энд Деккер, 40, тел. +496126212790.

Уполномоченное изготовителем юр.лицо:

ООО "Стэджи Блэк энд Деккер", 117485, город Москва, улица Обручева, дом 30/1, строение 2
Телефон: + 7 (495) 258-3981, факс: + 7 (495) 258-3984, E-mail: inbox@dewalt.com
Сведения о импортере указаны в сопроводительной документации и/или на упаковке

Хранение.

Необходимо хранить в сухом месте, вдали от источников повышенных температур и воздействия солнечных лучей. При хранении необходимо избегать резкого перепада температур. Хранение без упаковки не допускается

Срок службы.

Срок службы изделия составляет 5 лет. Не рекомендуется к эксплуатации по истечении 5 лет хранения с даты изготовления без предварительной проверки.

Дата изготовления (код даты) указана на корпусе инструмента.

Код даты, который также включает год изготовления, отштампован на поверхности корпуса изделия.

Пример:

2014 46 XX, где 2014 –год изготовления, 46-неделя изготовления.

Определить месяц изготовления по указанной неделе изготовления можно согласно приведенной ниже таблице.

Транспортировка.

Категорически не допускается падение и любые механические воздействия на упаковку при транспортировке.

При разгрузке/погрузке не допускается использование любого вида техники, работающей по принципу зажима упаковки.

Перечень критических отказов, возможные ошибочные действия персонала.

Не допускается эксплуатация изделия:

- При появлении дыма из корпуса изделия

- При поврежденном и/или оголенном сетевом кабеле

- при повреждении корпуса изделия, защитного кожуха, рукоятки

- при попадании жидкости в корпус

- при возникновении сильной вибрации

- при возникновении сильного искрения внутри корпуса

Критерии предельных состояний.

- При поврежденном и/или оголенном сетевом кабеле

- при повреждении корпуса изделия

Месяц	Январь	Февраль	Март	Апрель	Май	Июнь	Июль	Август	Сентябрь	Октябрь	Ноябрь	Декабрь	Год производства
Неделя	1	5	9	14	18	23	27	31	36	40	44	49	2018
	2	6	10	15	19	24	28	32	37	41	45	50	
	3	7	11	16	20	25	29	33	38	42	46	51	
	4	8	12	17	21	26	30	34	39	43	47	52	
Неделя			13		22			35			48		2019
	1	6	10	14	18	23	27	31	36	40	45	49	
	2	7	11	15	19	24	28	32	37	41	46	50	
	3	8	12	16	20	25	29	33	38	42	47	51	
	4	9	13	17	21	26	30	34	39	43	48	52	
Неделя	5				22			35		44			2020
	1	6	10	14	19	23	27	32	36	40	45	49	
	2	7	11	15	20	24	28	33	37	41	46	50	
	3	8	12	16	21	25	29	34	38	42	47	51	
	4	9	13	17	22	26	30	35	39	43	48	52	
Неделя				18			31		40	44			2021
	2	6	10	14	19	23	27	32	36	41	45	49	
	3	7	11	15	20	24	28	33	37	42	46	50	
	4	8	12	16	21	25	29	34	38	43	47	51	
	5	9	13	17	22	26	30	35	39	44	48	52	
Неделя				18			31		40			1	2022
	2	6	10	15	19	23	28	32	36	41	45	49	
	3	7	11	16	20	24	29	33	37	42	46	50	
	4	8	12	17	21	25	30	34	38	43	47	51	
	5	9	13	18	22	26	31	35	39	44	48	52	
		14			27			40				1	

Сфера застосування

Ваш тример BCSTA536 виробництва компанії BLACK+DECKER™ був розроблений для підстригання та чистої обробки газону та для скошування трави у важкодоступних місцях. Цей пристрій призначений лише для побутового використання.

Інструкції з техніки безпеки

Увага! При використанні пристроїв з живленням від електричної мережі необхідно дотримуватись основних заходів безпеки, включаючи наступні, щоб знизити ризик виникнення пожежі, ураження електричним струмом, травм та матеріальних ушкоджень.

Увага! При використанні пристрою необхідно дотримуватись правил техніки безпеки. Перед використанням пристрою уважно прочитайте цей посібник для забезпечення власної безпеки та безпеки сторонніх людей. Будь ласка зберігайте інструкції в безпечному місці для використання в майбутньому.

- ◆ Перед роботою з пристроєм уважно прочитайте цей посібник.

У цьому керівництві описано використання за призначенням. Використання будь-якого приладдя насадок чи додаткового обладнання або виконання операцій з приладом, не описаних у цьому посібнику, може призвести до особистих травм.

Зберігайте це керівництво для отримання інформації в подальшому.

Використання пристрою

Будьте уважні під час використання пристрою.

Завжди використовуйте захисні окуляри.

Ніколи не дозволяйте дітям та особам, які не знають всіх інструкцій, використовувати цей інструмент.

Не дозволяйте дітям або тваринам підходити до робочої зони та торкатися пристроїв або електричних шнурів.

Необхідний ретельний нагляд у випадках, коли пристрій використовується біля дітей.

Цей пристрій не призначений для використання молодими та хворими людьми без нагляду.

Цей інструмент не можна використовувати в якості іграшки.

Використовуйте цей пристрій лише вдень або за умови гарного штучного освітлення.

Використовуйте лише у сухому місці. Не дозволяйте, щоб пристрій був вологим.

Не занурюйте пристрій у воду.

Не відкривайте корпус. Всередині відсутні деталі, які користувач може обслуговувати самостійно.

Не використовуйте цей пристрій у вибухонебезпечних умовах, наприклад, в присутності легкозаймистих

рідин, газів або пилу.

Щоб знизити ризик пошкодження вилки та шнурів, ніколи не тягніть за кабель, щоб витягнути вилку з розетки.

Безпека оточення

Цей пристрій не призначений для використання особами (включаючи дітей) із зниженими фізичними, сенсорними або розумовими можливостями або особами, яким бракує досвіду або знань за винятком випадків, коли такі особи працюють під наглядом або отримали інструкції щодо використання пристрою від особи, яка несе відповідальність за їх безпеку.

Діти повинні знаходитись під наглядом, щоб гарантувати, що вони не будуть грати з пристроєм.

Залишкові ризики

Під час використання інструмента можуть виникнути додаткові залишкові ризики, які не внесено до попереджень щодо техніки безпеки в цьому посібнику.

Ці ризики можуть виникнути як результат неправильного використання, тривалого використання тощо.

Незважаючи на виконання всіх відповідних правил техніки безпеки та використання захисних пристроїв, неможливо уникнути деяких залишкових ризиків. Сюди належать:

Травми через контакт з деталями, що рухаються/обертаються.

Травми під час заміни деталей, пильних полотен або аксесуарів.

Травми через занадто тривале використання інструменту.

Під час використання будь-якого інструменту протягом тривалого періоду часу не забувайте робити регулярні перерви.

Порушення слуху.

Небезпека для здоров'я через вдихання пилу, що утворюється під час використання інструменту (наприклад, при роботі з деревом, особливо з дубом, буком та ДВП).

Після використання

Коли пристрій не використовується, його необхідно зберігати у сухому, добре провітрюваному та недоступному для дітей місці.

Дітям забороняється мати доступ до пристрою в місці зберігання.

Якщо пристрій зберігається або транспортується в автомобілі, його необхідно помістити в багажник або зафіксувати, щоб уникнути рухів через раптові зміни швидкості або напрямку.

Перевірка та ремонт

Перед використанням перевірте пристрій на наявність пошкоджених деталей. Перевірте на наявність пошкоджених деталей та інших умов, що можуть вплинути на роботу.

Не використовуйте пристрій, якщо виявлено пошкодження або дефекти якоїсь деталі.

Пошкоджені або дефектні деталі необхідно відремонтувати або замінити, звернувшись до авторизованого центру з ремонту.

Ніколи не намагайтеся знімати або замінювати деталі, за винятком тих, що вказані в цьому посібнику.

Додаткові інструкції з техніки безпеки для тримерів

Увага! Ріжучі елементи продовжують обертатися після вимкнення мотору.

Ознайомтесь із органами управління та правилами відповідного використання пристрою.

Перед використанням огляньте кабель живлення та подовжуючий шнур на ознаки пошкодження, зносу та старіння. Якщо шнур пошкоджується під час використання, негайно від'єднайте його від електромережі. **НЕ ТОРКАЙТЕСЯ ШНУРА, ДОКИ ВІН НЕ ВІД'ЄДНАНИЙ ВІД ЕЛЕКТРОМЕРЕЖІ.**

Не використовуйте пристрій, якщо його кабелі пошкоджені або зношені.

Підберіть міцне нековзке взуття для захисту ніг. Вдягайте довгі штани, щоб захистити ноги.

Перед використанням пристрою переконайтеся, що ділянка, яку планується підстригати, вільна від прутів, каміння, дровів та інших перешкод.

Використовуйте цей пристрій лише у вертикальному положенні так, щоб ріжуча волосінь була недалеко від землі. Ніколи не вмикайте інструмент в іншому положенні.

Під час використання пристрою рухайтесь повільно. Пам'ятайте, що скошена трава волога та ковзка.

Не працюйте, стоячи на нахиленій поверхні. Рухайтесь по схилу поперек, а не вгору або вниз.

У жодному разі не переходьте гравієві доріжки та дороги з увімкненим пристроєм.

У жодному разі не торкайтесь ріжучої волосіні, коли інструмент увімкнений.

У жодному разі не кладіть пристрій, доки ріжуча волосінь повністю не зупиниться.

Використовуйте лише відповідний тип ріжучої волосіні. Забороняється використовувати металеву та рибачку волосінь.

Ніколи не торкайтесь леза підрізного ножа.

Зверніть увагу на те, щоб кабель знаходився на безпечній відстані від ріжучої волосіні. Слідкуйте за положенням кабелю при роботі.

Тримайте руки та ноги подалі від ріжучої волосіні, особливо при увімкненні інструменту.

Перед використанням пристрою та після будь-якої роботи з ним перевіряйте пристрій на ознаки зносу або пошкодження та виконуйте ремонт в разі потреби.

У жодному разі не використовуйте інструмент із пошкодженими захисними кожухами або без них.

Будьте обережні, щоб не пошкодитись якимось пристроєм, встановленим для підрізання довжини ріжучої волосіні. Після витягування нової ріжучої волосіні завжди повертайте пристрій у нормальне робоче положення перед увімкненням його.

Стежте за тим, що вентиляційні отвори були чистими.

Не використовуйте тример для газонів (тример для обробки краю газону), якщо шнур пошкоджений або зношений.

Утримуйте подовжуючий шнур подалі від ріжучих елементів.

Маркування на пристрої

Наступні піктограми нанесено на інструмент разом з кодом дати:



Прочитайте ці інструкції перед використанням.



Використовуйте захисні окуляри при роботі з інструментом.

При використанні пристрою використовуйте засоби захисту органів слуху.



Вимкніть інструмент. Перед проведенням будь-яких робіт по технічному обслуговуванню необхідно вилучити батарею з інструмента.

Бережіться об'єктів, які летять. Тримайте сторонніх людей подалі від зони різання.



Не залишайте інструмент під дощем та в умовах підвищеної вологості.



У Директиві 2000/14/ЕС вказана гарантована звукова потужність.

Додаткові інструкції з техніки безпеки для батарей та зарядних пристроїв

Батареї

- Ніколи не намагайтесь відкривати батарею.
- Не занурюйте батарею у воду.
- Не зберігайте у місцях, де температура може перевищувати 40 °С.
- Заряджайте лише за температури навколишнього середовища між 10 °С та 40 °С.
- Заряджайте лише за допомогою зарядного пристрою, що надається з інструментом.
- При утилізації батарей дотримуйтесь інструкцій, наведених у розділі «Захист навколишнього середовища».



Не заряджайте пошкоджені батареї.

Зарядні пристрої

- Використовуйте зарядний пристрій BLACK+DECKER лише для зарядки батарей того інструменту, з яким він був придбаний. Інші батареї можуть вибухнути, спричинивши травми та пошкодження.
- Ніколи не намагайтесь заряджати батареї, що не підлягають зарядці.
- Негайно замінійте пошкоджений дріт живлення.
- Уникайте контакту зарядного пристрою з водою.
- Не відкривайте корпус зарядного пристрою.
- Не розбирайте зарядний пристрій.



Зарядний пристрій призначений лише для використання в приміщенні.



Прочитайте інструкції цього посібника перед використанням.

Електрична безпека



Зарядний пристрій має подвійну ізоляцію, тому заземлення непотрібне. Завжди перевіряйте відповідність джерела живлення напрузі, що вказана на табличці з паспортними даними. Ніколи не намагайтесь замінити зарядний пристрій звичайним мережним штепселем.

Якщо шнур живлення пошкоджений, його необхідно замінити у виробника або в офіційному сервісному центрі компанії BLACK+DECKER для уникнення небезпеки.

Компоненти

Цей пристрій має всі або деякі з нижче перерахованих компонентів.

1. Вимикач
2. Ручка
3. Кнопка блокування
4. Акумулятор
5. Друга ручка
6. Захисний кожух
7. Корпус котушки
8. Головна частина інструменту
9. Напрямна для підрізання краю газону.

Монтаж

Увага! Перед монтажем переконайтесь, що інструмент вимкнено та з нього винято акумулятор.

Встановлення захисного кожуха (рис. А і В)

Видаліть гвинти із захисного кожуха.

Утримуючи захисний кожух (6) під прямим кутом до голівки тримеру (8) встановіть його на місце так, щоб фіксатори не встануть на місце (переконайтесь, що напрямні (10) захисного кожуху (6) вірно вирівняні відносно напрямних (11) на голівці тримера (8).

Закріпіть захисний кожух (6) за допомогою гвинта (12).

Увага! Не використовуйте інструмент, якщо захисний кожух встановлено не правильно.

Налаштування положення додаткової ручки (рис. С)

Другу ручку (5) можна налаштувати, щоб забезпечити оптимальний баланс і комфорт.

Підніміть фіксатор (14) на додатковій ручці.

Акуратно просуньте додаткову ручку (5) вгору або вниз по трубі (13) на потрібну висоту.

Зафіксуйте фіксатор (14) після того, як буде досягнуто бажане положення.

Налаштування висоти інструменту (рис. D)

Цей інструмент оснащений телескопічним механізмом, який дозволяє встановити комфортну довжину ручки. Доступні різні значення висоти.

Щоб налаштувати висоту інструменту, виконайте наступні дії:

Відпустіть фіксатор налаштування висоти (15).

Акуратно потягніть трубку (13) догори або донизу на бажану висоту.

Затягніть фіксатор налаштування висоти (15).

Підготовка ріжучої волосіні до роботи

При транспортуванні ріжуча волосінь приклеєна до корпусу котушки.

Увага! Перед збиранням інструменту витягніть з нього батарею.

Зніміть клейку стрічку, утримуючи ріжучу волосін на корпусі котушки (7).

Зарядка батареї (рис. Е)

Необхідно зарядити батарею перед першим використанням, а також коли вона не може забезпечити достатню потужність для виконання завдань, які легко виконувались раніше. Батарея може стати теплою під час зарядки: це нормально та не є показником проблеми.

Увага! Не заряджайте батарею за температури навколишнього середовища нижче 10 °C або вище 40 °C. Рекомендована температура зарядки: приблизно 24 °C.

Примітка. Зарядний пристрій не заряджає батарею, якщо її температура нижче приблизно 10 °C або вище 40 °C.

Батарею потрібно залишити у зарядному пристрої, який автоматично почне її заряджати, коли температура батареї підніметься або зменшиться.

Для заряджання батареї (4) вставте її в зарядний пристрій (16). Батарею можна вставити в зарядний пристрій лише одним способом. Не прикладайте силу. Переконайтесь, що батарея вставлена в зарядний пристрій до кінця.

Включіть зарядний пристрій у розетку мережі живлення.

Індикатор зарядки (16a) буде постійно спалахувати зеленим (повільно).

Зарядка вважається завершеною, коли індикатор зарядки (16a) постійно горить зеленим. Батарею можна залишати підключеною до зарядного пристрою на необмежений час, якщо горить індикатор. Індикатор почне спалахувати зеленим (індикація зарядки), коли зарядний пристрій час від часу почне доповнювати заряд акумулятора. Індикатор зарядки (16a) буде горіти, поки батарея підключена до зарядного пристрою, підключеного до розетки.

Не тримайте акумулятори розрядженими більше 1 тижня. Термін служби батареї значно зменшується, якщо вона зберігається у незарядженому стані.

Залишення батареї в зарядному пристрої

Батареї можна залишити в зарядному пристрої на необмежений час з індикатором, який працює. Зарядний пристрій буде підтримувати батарею у повністю зарядженому стані.

Діагностика зарядного пристрою

Якщо зарядний пристрій виявляє слабку або пошкоджену батарею, індикатор заряджання (16a) буде часто блимати червоним. Виконайте описані далі дії:

Витягніть та вставте батарею знов (4).

Якщо індикатор заряджання продовжує швидко блимати червоним, візьміть інший акумулятор, щоб перевірити, чи правильно відбувається процес заряджання.

Якщо інший акумулятор заряджається правильно, це означає, що оригінальний акумулятор пошкоджений, і його потрібно повернути до сервісного центру на переробку.

Якщо новий акумулятор поводить себе так само, як і оригінальний, віднесіть зарядний пристрій на перевірку в один з авторизованих сервісних центрів.

Примітка. Потрібно до 30 хвилин, щоб визначити, що батарея пошкоджена. Якщо батарея занадто гаряча або холодна, індикатор буде почергово миготіти швидко та повільно червоним (одне миготіння з кожною швидкістю, а потім повтор).

Індикатор стану зарядки (рис. Е)

Акумулятор оснащений індикатором стану заряду. Дана функція може використовуватися для відображення поточного рівня заряду акумулятора під час його роботи та заряджання.

Натисніть кнопку індикатора стану заряду (4a).

Встановлення та зняття батареї (рис. F)

Щоб установити акумулятор (4), вирівняйте його відносно відповідного відсіку в інструменті. Встановіть акумулятор у відсік та натисніть, щоб акумулятор став на місце.

Щоб вийняти батарею, натисніть на кнопку фіксатора (4b), одночасно виштовхуючи акумулятор з відсіку.

Використання

Увага! Інструмент повинен працювати з рекомендованою швидкістю. Не перевантажуйте його.

Налаштування інструменту на режим підстригання трави і вирівнювання кромки (рис. G, H)

Інструмент можна використовувати в режимі підстригання трави, як показано на рис. G або в режимі вирівнювання кромки для підстригання трави, що звисає вздовж кромки газонів і квіткових клумб, як показано на рис. H.

Режим підстригання трави (рис. G)

Для підстригання голівка тримера має знаходитися в положенні, показаному на рис. G. Якщо це не так:

Зніміть батарею з інструменту.

Натисніть і утримуйте кнопку відпускання голівки (17).

Утримуючи ручку, поверніть голівку (8) за годинниковою стрілкою.

Відпустіть кнопку відпускання голівки (17).

Підніміть напрямну для підрізання краю газону (9) в закрите положення.

Примітка. Примітка. Голівка може повертатися лише в одну сторону.

Вирівнювання краю газону (рис. Н, І)

Для підстригання краю газону голівка тримеру повинна бути встановлена у положення, показане на рис. Н. Якщо це не так:

Зніміть батарею з інструменту.

Натисніть і утримуйте кнопку відпускання голівки (17).

Утримуючи ручку, поверніть голівку (8) проти годинникової стрілки.

Відпустіть кнопку відпускання голівки (17).

Опустіть напрямну для підрізання краю газону у відкрите положення. Переконайтесь, що направляюча для підрізання краю газону (9) повністю опущена до звуку клацання.

Примітка. Голівка може повертатися лише в одну сторону.

Увімкнення та вимкнення (рис. J)

Щоб увімкнути інструмент, натисніть і утримуйте кнопку блокування у вимкнутому положенні (3), а потім натисніть перемикач Увімк./Вимк. (1). Коли інструмент працює ви можете відпустити кнопку блокування (3).

Відпустіть перемикач, щоб вимкнути інструмент.

Увага! Не намагайтесь заблокувати перемикач у включеному положенні.

Підказки для оптимального використання

Загальні положення

Щоб досягти оптимального результату, підстригайте лише суху траву.

Підстригання трави

Тримайте інструмент, як показано на рис. К

Повільно пересувайте косарку з сторони в сторону, як показано на рис. L.

Підстригання високої трави треба робити поетапно, починаючи зверху. Робіть невеликі зрізи.

Тримайте косарку на безпечній відстані від твердих предметів та ніжних рослин.

Ріжуча волосінь зноситься швидше та буде вимагати частішої заміни, якщо скошувати траву біля тротуару або іншої абразивної поверхні, або якщо скошувати твердішу траву.

Якщо інструмент починає обертатися повільніше, зменшіть навантаження.

Вирівнювання краю

Оптимальна якість роботи досягається при висоті краю більше за 50 мм.

Не використовуйте інструмент для створення нових країв. Застосовуйте для цього спеціальну лопатку.

Направляйте інструмент, як показано на рис. М.

Для більш короткого зрізу трохи нахиліть інструмент.

Встановлення нової котушки з ріжучою волосінню (рис. N, O)

Запасні котушки ріжучої волосіні можна придбати у дилерів компанії BLACK+DECKER (кат. № A6481).

Також можна придбати набір з трьох котушок з ріжучою волосінню (кат. № A6485).

Зніміть батарею з інструменту.

Натисніть на фіксатори (23) і від'єднайте кришку котушки (24) від корпусу (7).

Витягніть порожню котушку (25) з корпусу.

Видаліть бруд та траву з кришки та корпусу.

Візьміть нову котушку та встановіть її на втулку корпусу. Трохи поверніть котушку, щоб вона стала на місце.

Від'єднайте кінець ріжучої волосіні й пропустіть його в один з отворів (26). Ріжуча волосінь повинна виступати приблизно на 11 см з-під кришки котушки, як показано на рис. O.

Вирівняйте фіксатори (23) на корпусі котушки відносно виступів (21) корпусу.

Натисніть на кришку, щоб вона встала на своє місце на корпусі.

Увага! Якщо ріжучі волосіні виступають за лезо (22), обріжте їх так, щоб вони тільки доходили до нього.

Намотування нової волосіні на порожню котушку (рис. P, Q)

Ви можете намотати ріжучу волосінь на порожню котушку.

Запасні набори ріжучої волосіні можна придбати у дилерів компанії BLACK + DECKER (кат. № A6170 [25 м], A6171 [40 м]).

Витягніть порожню котушку, як показано вище.

Витягніть всю волосінь, що залишилася, з котушки.

Просуньте 2 см ріжучої волосіні в отвір (31) котушки, як показано на рис. O.

Зігніть ріжучу волосінь та зафіксуйте її в г-подібному отворі (27).

Намотайте волосінь на котушку в напрямку, що вказано стрілкою. Намотуйте волосінь обережно та шарами. Не заплутуйте її (рис. Q).

Коли останній намотаний шар волосіні буде на рівні пазів (28), обріжте волосінь. Волосінь повинна виступати приблизно на 11 см з котушки, утримуйте її пальцем, щоб вона залишалася на місці.

Встановіть котушку, як було описано вище.

Увага! Використовуйте лише відповідну ріжучу волосінь компанії BLACK+DECKER.

Пошук та усунення несправностей

Якщо вам здається, що інструмент працює невірно, виконайте інструкції, що наводяться нижче. Якщо вам не вдалося вирішити проблему, будь ласка, зверніться до сервісного центру компанії BLACK+DECKER.

Увага! Перш ніж продовжити, зніміть батарею з інструменту.

Пристрій працює повільно

Перевірте, що корпус котушки може вільно обертатися. При необхідності обережно прочистіть його. Ріжуча волосінь не повинна бути відмотана більше, ніж 11 см від корпусу котушки. Обріжте її при необхідності, щоб вона доходила до леза.

Не працює механізм автоматичної подачі волосіні (лише BCSTA536)

Утримуйте фіксатори натисненими та витягніть кришку котушки з корпусу. Відмотайте ріжучу волосінь на 11 см від корпусу. Якщо котушка має мало волосіні, встановіть нову котушку з ріжучою волосінню, як описано вище. Вирівняйте фіксатори на корпусі котушки відносно виступів корпусу. Натисніть на кришку, щоб вона встала на своє місце на корпусі. Якщо ріжуча волосінь виступає за лезо, обріжте її так, щоб вона лише доходила до нього.

Якщо механізм автоматичної подачі волосіні все ще не працює або котушка не прокручується, спробуйте наступне:

Обережно прочистіть кришку і корпус. Витягніть котушку і переконайтесь, що важіль рухається вільно. Витягніть котушку і розмотайте ріжучу волосінь, а потім намотайте її знов ретельно, як описано вище. Вставте котушку на місце у відповідності до інструкцій.

Технічне обслуговування

Ваш пристрій виробництва компанії BLACK+DECKER призначений для роботи протягом тривалого часу з мінімальним обслуговуванням. Тривала задовільна робота інструмента залежить від відповідного обслуговування інструмента/пристрою та регулярного очищення. Зарядний пристрій не вимагає технічного обслуговування, потрібно лише виконувати регулярне очищення.

Увага! Перед виконанням будь-якого технічного обслуговування інструмента зі шнуром живлення або без нього виконайте такі дії.

Вимкніть інструмент та відключіть його від мережі живлення.

Або вимкніть інструмент та витягніть акумулятор з нього, якщо ваш пристрій має окремий акумуляторний блок.

Або повністю розрядіть акумулятор, якщо пристрій має вбудований акумулятор, а потім вимкніть інструмент. Витягніть зарядний пристрій з розетки перед очищенням. Зарядний пристрій не вимагає технічного обслуговування, потрібно лише виконувати регулярне очищення.

Регулярно очищуйте вентиляційні отвори інструмента/пристрою та зарядного пристрою, використовуючи м'яку щітку або суху ганчірку.

Регулярно очищуйте корпус двигуна вологою тканиною. Не використовуйте абразивні очищувачі та засоби, що містять розчинники.

регулярно очищуйте ріжучу волосінь і котушку м'якою щіткою або сухою тканиною;

регулярно використовуйте тупий шкребок для видалення трави та бруду з-під захисного кожуха.

Захист навколишнього середовища



Роздільний збір. Пристрої та батареї, позначені цим символом, можна викидати зі звичайним побутовим сміттям

Пристрої та батареї містять матеріали, які можна відновити та переробити, що зменшить потребу у сировині.

Будь ласка, віддавайте електричні інструменти та батареї на переробку відповідно до місцевих постанов. Більш детальну інформацію можна отримати на сайті www.2helpU.com

Технічні характеристики

		BCSTA536 H 1
Вхідна напруга	$V_{\text{пост. струму}}$	36
Швидкість без навантаження	хв. ⁻¹	6300-7300 RPM
Маса	кг	3,2
Акумулятор		BL2536
Напруга	$V_{\text{пост. струму}}$	36
Ємність	ампер-годин	2,5
Тип		Літій-іонний
Зарядний пристрій		90616337-xx
Вхідна напруга	V_{AC}	230
Вихідна напруга	$V_{\text{пост. струму}}$	36
Струм	мА	1300
Приблизний час першого зарядження	h	1,5-2,0

Значення вібрації при навантаженні на кисть руки/руку відповідно до EN 786:
 $= 3 \text{ м/с}^2$, похибка (K) = $1,5 \text{ м/с}^2$.

$L_{\text{pд}}$ (звуковий тиск) ??? дБ(A)
 похибка (K) = ??? дБ(A)

Декларація про відповідність нормам ЄС

ДИРЕКТИВА ДЛЯ МЕХАНІЧНОГО ОБЛАДНАННЯ
 ДИРЕКТИВА ПРО ШУМИ, ЩО ВИНИКАЮТЬ ПОЗА
 ПРИМІЩЕННЯМИ



BCSTA636 - Тример

Компанія Black & Decker заявляє, що продукти, описані в розділі «Технічні характеристики» відповідають: 2006/42/EC, EN 60335-1: 2012 +A11:2014, EN 60335-2-91:2003

2000/14/EC, тример для газонів, $L \leq 50 \text{ см}$, Додаток VIII
 KEMA Quality B.V., Utrechtseweg 310, 6802 ED Arnhem,
 Нідерланди
 Ідентифікаційний № уповноваженого органу: 0344

Рівень акустичної потужності відповідно до 2000/14/EC

(Стаття 12, Додаток III, $L \leq 50 \text{ см}$):

$L_{\text{ва}}$ (виміряна акустична потужність) ??? дБ(A)
 похибка (K) = ??? дБ(A)

$L_{\text{ва}}$ (гарантована акустична потужність) ??? дБ(A)

Ці продукти відповідають також Директиві 2004/108/EC (до 19/04/2016) 2014/30/EU (з 20/04/2016) і 2011/65/EU. Для отримання додаткової інформації зверніться до компанії Black & Decker за наступною адресою або прочитайте інформацію на зворотній стороні цього посібника.

Особа, яка підписалася нижче, несе відповідальність за упорядкування файлу технічних характеристик та робить цю заяву від компанії Black & Decker.

Ендрю Сміт (Andrew Smith)
 Технічний директор

Black & Decker Europe, 270 Bath Road, Slough,
 Berkshire, SL1 4DX, England

Гарантія

Компанія Black & Decker впевнена в якості своєї продукції та пропонує споживачам гарантію тривалістю 24 місяці з дати покупки. Ця гарантія доповнює і жодним чином не обмежує ваші законні права. Ця гарантія є чинною на території країн-членів Європейського Союзу та в європейській зоні вільної торгівлі.

Позив за гарантією повинен відповідати умовам компанії Black & Decker, при цьому вам необхідно буде надати доказ покупки продавцю або спеціалісту офіційного сервісного центру.

Про умови 2-річної гарантії компанії Black & Decker та місцезнаходження найближчого до вас сервісного центру можна дізнатися в інтернеті на сайті www.2helpU.com, або можна звернутися до місцевого представництва компанії Black & Decker за адресою, вказаною у цьому керівництві:

Будь ласка, відвідайте наш сайт www.blackanddecker.co.uk, щоб зареєструвати свій новий продукт BLACK+DECKER та отримувати інформацію про нові продукти та спеціальні пропозиції.



Виробник:
 "Stanley Black & Decker Deutschland
 GmbH" Black-&-Decker Str.40, D-65510
 Idstein, Німеччина



ГАРАНТІЙНИЙ ТАЛОН

**2 РОКИ
ГАРАНТІЇ**

1. Вітаємо Вас з покупкою високоякісного виробу Black+Decker і висловлюємо вдячність за Ваш вибір.
2. При покупці виробу вимагайте перевірки його комплектності і справності у Вашій присутності, інструкцію за експлуатації та заповнений гарантійний талон українською мовою. В гарантійному талоні повинні бути внесені: модель, дата продажу, серійний номер, дата виробництва інструменту, назва, печатка і підпис торгової організації. За відсутності у Вас правильно заповненого гарантійного талону, а також при невідповідності зазначених у ньому даних ми будемо змушені відхилити Ваші претензії щодо якості даного виробу.
3. Щоб уникнути непорозумінь, переконливо просимо Вас перед початком роботи з виробом уважно ознайомитися з інструкцією за його експлуатації. Правовою основою справжніх гарантійних умов є чинне Законодавство. Гарантійний термін на даний виріб складає 24 місяці і обчислюється з дня продажу. У разі усунення недовліків виробу, гарантійний строк продовжується на період його перебування в ремонті. Термін служби виробу становить 5 років з дня продажу.
4. У разі виникнення будь-яких проблем у процесі експлуатації виробу рекомендуємо Вам звертатися тільки в уповноважених сервісних центри Black+Decker, адреси та телефони яких Ви зможете знайти в гарантійному талоні, на сайті www.2helpU.com або дізнатися в магазині. Наші сервісні станції - це не тільки кваліфікований ремонт, але і широкий асортимент запчастин і аксесуарів.
5. Виробник рекомендує проводити періодичну перевірку і технічне обслуговування виробу в уповноважених сервісних центрах.
6. Наші гарантійні зобов'язання поширюються тільки на несправності, виявлені протягом гарантійного терміну і викликані дефектами виробництва та \ або матеріалів.
7. Гарантійні умови не поширюються на несправності виробу, що виникли в результаті:
 - 7.1. Недотримання користувачем приписів інструкції за експлуатації виробу, застосування виробу не за призначенням, неправильного зберігання, використання приладдя, витратних матеріалів і запчастин, що не передбачені виробником.
 - 7.2. Механічного пошкодження (відколи, тріщини і руйнування) внутрішніх і зовнішніх деталей виробу, основних і допоміжних рукояток, мережевого кабелю, що викликані зовнішнім ударним або будь-яким іншим впливом
 - 7.3. Потраплення у вентиляційні отвори та проникнення всередину виробу сторонніх предметів, матеріалів або речовин, що не є відходами, які супроводжують застосування виробу за призначенням, такими як: стружка, тирса, пісок, та ін.
 - 7.4. Впливу на виріб несприятливих атмосферних і інших зовнішніх факторів, таких як дощ, сніг, підвищена вологість, нагрівання, агресивні середовища, невідповідність параметрів електромережі, що зазначені на інструменті.
 - 7.5. Стихійного лиха. Пошкодження або втрати виробу, що пов'язані з непередбаченими лихами, стихійними явищами, у тому числі внаслідок дії непереборної сили (пожежа, блискавка, потоп і інші природні явища), а також внаслідок перепадів напруги в електромережі та іншими причинами, які знаходяться поза контролем виробника.
8. Гарантійні умови не поширюються:
 - 8.1. На інструменти, що піддавались розкриттю, ремонту або модифікації поза уповноваженим сервісним центром.
 - 8.2. На деталі, вузли та матеріали, що мають сліди природного зносу, такі як: приводні ремені і колеса, вугільні щітки, мастило, підшипники, зубчасті зчеплення редукторів, гумові ущільнення, сальники, направляючі ролики, муфти, вимикачі, бойки, штовхачі, стовпи тощо.
 - 8.3. На змінні частини: патрони, цанги, затискові гайки і фланці, фільтри, ножі, шліфувальні підшови, ланцюги, зірочки, пильні шини, захисні кожухи, пилки, абразиви, пильні і абразивні диски, фрези, свердла, бури тощо
 - 8.4. На несправності, що виникли в результаті перевантаження інструменту (як механічного, так і електричного), що спричинили вихід з ладу одночасно двох і більше деталей і вузлів, таких як: ротора і статора, обох обмоток статора, веденої і ведучої шестерень редуктора або інших вузлів і деталей. До безумовних ознак перевантаження виробу відносяться, крім інших: поява кольорів мільнівості, деформація або оплавлення деталей і вузлів виробу, потемніння або обуглювання ізоляції проводів електродрвигуна під впливом високої температури.

Товар отриманий в справному стані, без видимих ушкоджень, в повній комплектатції, перевірений у моїй присутності, претензій щодо якості товару не маю. З умовами гарантійного обслуговування ознайомлений і згоден.

П. І. Б. та підпис власника _____

Шановні клієнти, наша мережа авторизованих сервісних центрів постійно розширюється. Актуальну інформацію про обслуговування в місті, що цікавить вас, ви можете дізнатися на сайті

www.2helpU.com

Редакція ВК/16-04-2018

Інформація про інструмент

Найменування інструменту	
Модель	
Найменування продавця	
Дата продажу	

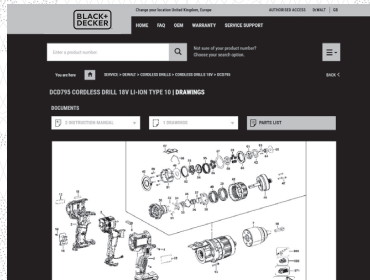
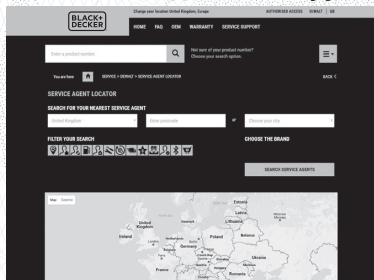
М.П.
Продавця

Серійний номер/Дата виробництва

Інструмент	
Зарядний пристрій	
Акумулятор 1	
Акумулятор 2	

На сайті www.2helpU.com доступні наступні функції:

- Список авторизованих сервісних центрів
- Зручний пошук найближчого сервісного центру
- Керівництво з експлуатації
- Технічні характеристики
- Список деталей і запасних частин
- Схема складання інструменту



Також дану інформацію ви можете отримати, зателефонувавши за номером:
0 (800) 211 521 в Україні

ВІДМІТКА ПРО ПРОВЕДЕННЯ СЕРВІСНОГО ОБСЛУГОВУВАННЯ

№1	№2	№3	№4
№ замовлення	№ замовлення	№ замовлення	№ замовлення
Дата прийому	Дата прийому	Дата прийому	Дата прийому
Дата ремонту	Дата ремонту	Дата ремонту	Дата ремонту
Печатка і підпис сервісного центру	Печатка і підпис сервісного центру	Печатка і підпис сервісного центру	Печатка і підпис сервісного центру







