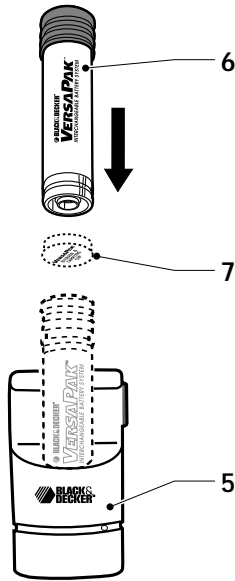
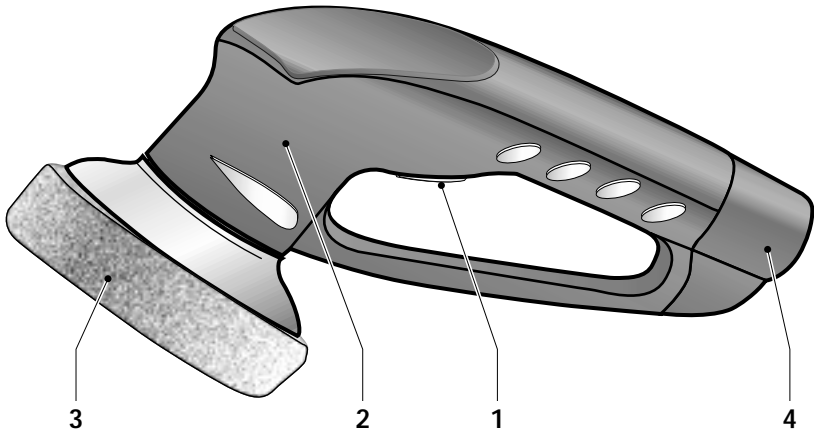


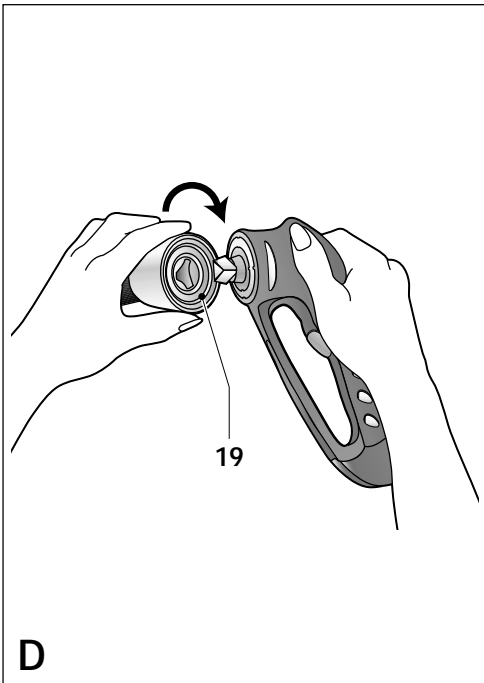
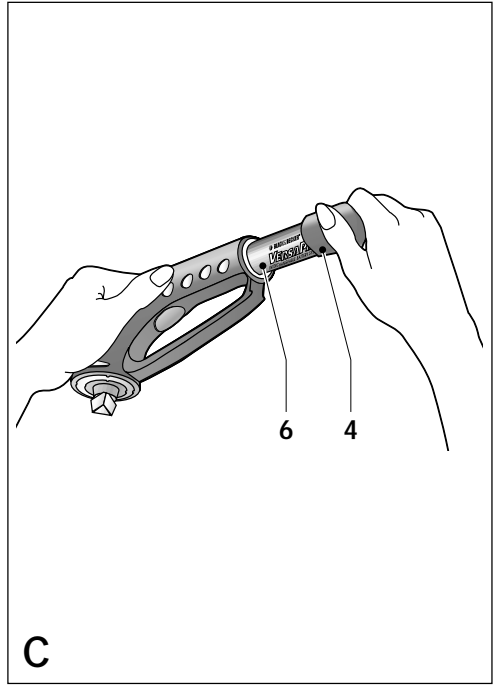
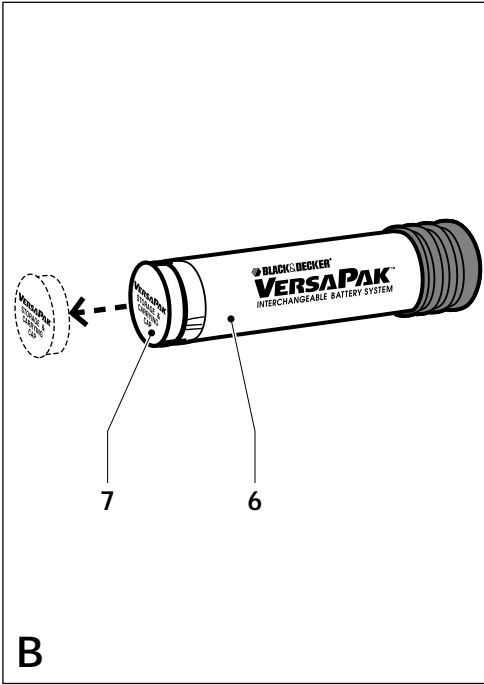


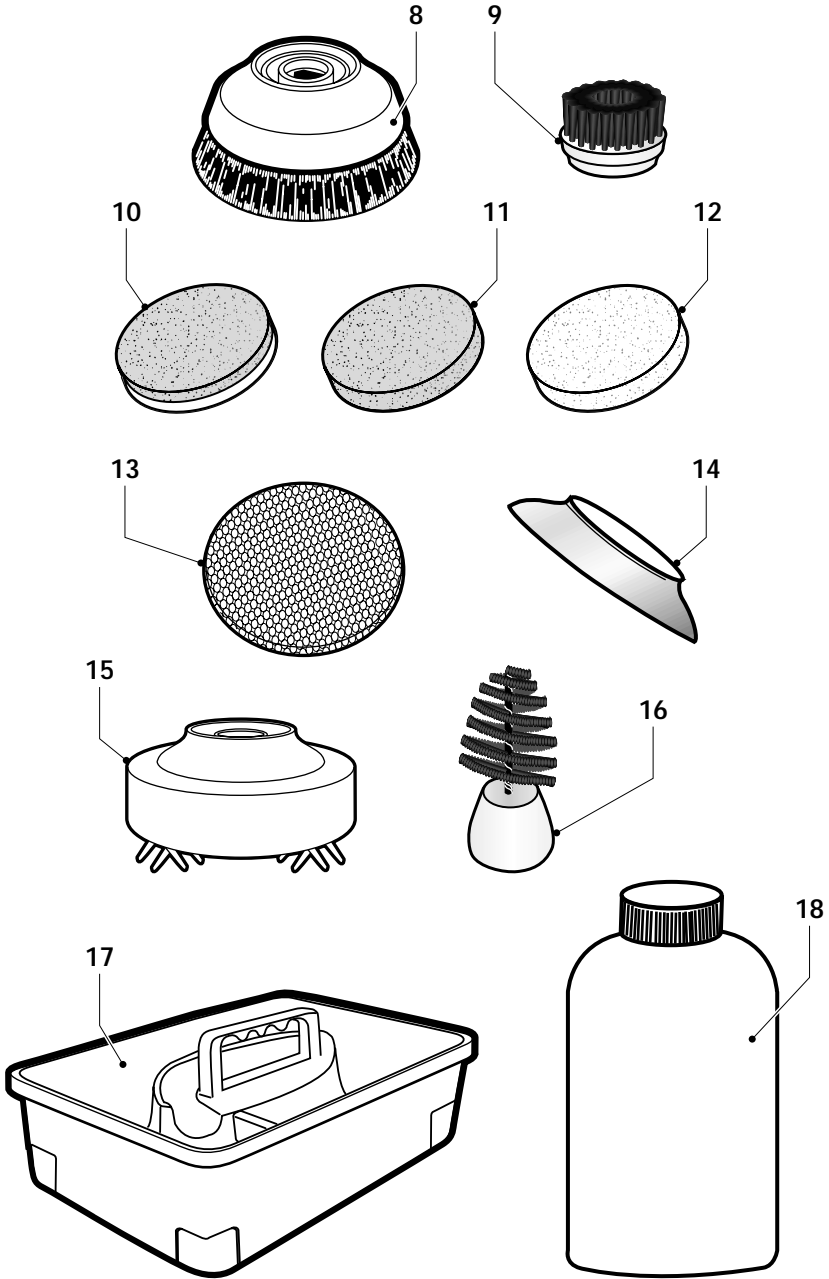
S500





A





E

Scumbuster® S500

Thank you for choosing Black & Decker. We hope that you will enjoy using this product for many years.

OVERVIEW (fig. A)

1. On/off switch
2. Motor unit
3. Scrub pad & disc
4. Battery cover
5. Charger
6. Battery
7. Battery cap

EC DECLARATION OF CONFORMITY



S500

Black & Decker declares that these products conform to:
98/37/EC, 89/336/EEC, 73/23/EEC,
EN 55014, EN 60335, EN 61000

L_{pA} (sound pressure)	dB(A)	< 70
Hand/arm weighted vibration value	m/s ²	< 2.5

Colin Wills
Director of Engineering
BDCI, 4/F, 2 Dai Wang Street
Tai Po Industrial Estate
Tai Po NT, Hong Kong

INTENDED USE

Your Black & Decker Scumbuster® has been designed for wet and dry cleaning purposes. This product is intended for household use only.

WARNING SYMBOLS

The following symbols are used in this manual:



Denotes risk of personal injury, loss of life or damage to the product in case of non-observance of the instructions in this manual.

SAFETY INSTRUCTIONS

- ◆ **Warning!** When using battery-powered appliances, basic safety precautions, including the following, should always be followed to reduce the risk of fire, leaking batteries, personal injury and material damage.
- ◆ Read all of this manual carefully before using the appliance.
- ◆ The intended use is described in this manual. The use of any accessory or attachment or the performance of any operation with this appliance other than those recommended in this instruction manual may present a risk of personal injury.
- ◆ Retain this manual for future reference.

Using your appliance

- ◆ Keep children and animals at a safe distance when using this appliance.
- ◆ Never use the appliance near flammable fumes or liquids.

After use

- ◆ Unplug the charger after use and before cleaning it.
- ◆ When not in use, the appliance should be stored indoors, in a dry place. Children should not have access to stored appliances.

Inspection and repairs

- ◆ Before use, check the appliance for damaged or defective parts. Check for breakage of parts, damage to switches and any other conditions that may affect its operation.
- ◆ Do not use the appliance if any part is damaged or defective.

- ◆ Have any damaged or defective parts repaired or replaced by an authorised repair agent.
- ◆ Regularly check the charger plug for damage. Replace the charger if the plug is damaged or defective.
- ◆ Never attempt to remove or replace any parts other than those specified in this manual.

Battery

- ◆ Never attempt to open the battery for any reason.
- ◆ Do not expose to water.
- ◆ Do not store in locations where the temperature may exceed 40 °C.
- ◆ Charge only at ambient temperatures between 4 °C and 40 °C.
- ◆ Before charging, make sure that the battery is dry and clean.
- ◆ Do not attempt to charge damaged batteries.
- ◆ When disposing of batteries, follow the instructions given in the section "Protecting the environment".
- ◆ Do not incinerate the battery.
- ◆ Under extreme conditions, battery leakage may occur. When you notice liquid on the battery, proceed as follows:
 - Carefully wipe the liquid off using a cloth. Avoid skin contact.
 - In case of skin or eye contact, follow the instructions below.



The battery fluid, a 25-30% solution of potassium hydroxide, can be harmful. In case of skin contact, immediately rinse with water. Neutralise with a mild acid such as lemon juice or vinegar. In case of eye contact, rinse abundantly with clean water for at least 10 minutes. Consult a physician.



Fire hazard! Avoid short-circuiting the contacts of a detached battery. Always fit the cap to protect the battery during transport or storage.

Charger

- ◆ Use your Black & Decker charger only to charge batteries of the type supplied with your tool. Other batteries could burst, causing personal injury and damage.

- ◆ Never attempt to charge non-rechargeable batteries.
- ◆ Do not expose the charger to water or high humidity.
- ◆ Do not open the charger.
- ◆ Do not probe the charger.
- ◆ Do not use an extension cord. Plug the charger directly into a wall socket, away from water and hot surfaces.



The charger is intended for indoor use only.

ELECTRICAL SAFETY

Your charger has been designed for a specific mains voltage. Always check that the mains voltage corresponds to the voltage on the rating plate.



Your charger is double insulated in accordance with EN 60335; therefore no earth wire is required.

BEFORE FIRST USE (fig. B)

Before first use, the battery must be charged for at least 6 hours.

- ◆ Remove the cap (7) from the battery (6).
- ◆ Charge the battery as described below.

USE

Charging the battery (fig. A)

- ◆ Remove the battery from the appliance.
- ◆ Insert the battery (6) into the charger (5) as shown.
- ◆ Plug in the charger. Switch on at the mains. The indicator light on the charger will be lit and will stay lit as long as the battery is in the charger.
 - ◆ **Leave the battery to charge for at least 3 hours.** Whilst charging, the charger may become warm. This is normal and does not indicate a problem. The battery can be left in the charger indefinitely. When the battery is fully charged, the power consumption of the charger is negligible.

Important! Recharge the battery when the performance of the appliance decreases. Do not continue to use the appliance until the battery is empty. After fully charging the battery, the average effective usage time is approx. 30 minutes.

It may take several charging cycles before the battery attains full capacity.



Do not charge the battery at ambient temperatures below 4 °C or above 40 °C.

Spare batteries (type VP100) are available from your Black & Decker service agent.

Fitting and removing the battery (fig. B & C)

Fitting

- ◆ Remove the cap (7) from the battery (6).
- ◆ Turn and pull the battery cover (4) to remove it from the appliance.
- ◆ Insert the battery into the appliance as shown and push it as far as it will go.
- ◆ Place the battery cover over the end of the battery.
- ◆ Push the battery cover into place.
- ◆ Never immerse the unit under water without the battery cover securely in place.

Important! If some water leaks into the unit, it will not affect performance. However, should the unit or the battery accidentally fall into water without the battery cover in place, shake out loose liquid and allow to air dry overnight.

Removing

- ◆ Turn and pull the battery cover (4) to remove it from the appliance.
- ◆ Pull the battery out of the appliance.
- ◆ Before storing the battery, fit the cap (7).

Accessories (fig. E)

This product is supplied with the following accessories:

8. Shampoo brush: for carpet cleaning
9. Wide area bristle brush: for aggressive area cleaning on ceramic tile walls and floors, fibreglass and hard plastic surfaces
10. Heavy-duty pad (green and white): for aggressive scrubbing on large surfaces such as barbecue grill grates
11. Coarse scrub pad (light blue): for aggressive scrubbing of larger surfaces, such as ceramic tile walls and floors or bath tubs and sinks (porcelain or enamel)

12. Mild scrub pad (white): for milder scrubbing of large areas, such as ceramic tile walls and floors or outdoor furniture
13. Sponge pad with mesh bonnet: for washing and scrubbing car headlights, bumpers and grills; **not for use on vinyl, wood, metalised plastic and other sensitive materials**
14. Pad disc: for use with pads
15. Nap lifter: for raising carpet pile, beautifying short pile and plush carpeting; **not for use on shag, high or looped pile carpet**
16. Spiral wheel brush: for scrubbing in confined spaces such as hubcaps
17. Carrying caddy: for portable and convenient storage of the unit and accessories
18. Cleaning solution: for carpet cleaning

Fitting and removing an accessory (fig. D)

Fitting

- ◆ Only fit accessories when the appliance is switched off.
- ◆ When using a pad, fit the pad onto the pad disc.
- ◆ Align the triangular notch on the accessory (19) with the shaft on the motor unit.
- ◆ Push the accessory onto the shaft and turn it clockwise.

Removing

- ◆ Only remove accessories when the appliance is switched off.
- ◆ Turn the accessory counterclockwise and pull it off the motor unit.

Operating the appliance (fig. A)

- ◆ To switch on, press the on/off switch (1).
- ◆ To switch off, press the on/off switch again.

The appliance can be used with a variety of cleaning agents, including bathroom, automotive, patio furniture, carpet and other common household cleaners. Always read and follow the manufacturer's instructions on the cleaning agent you use. Do not use the appliance with abrasive cleaning agents.



Wear gloves and eye protection when using aggressive chemical cleaners.

HANDY HINTS

- ◆ Before cleaning carpets, thoroughly vacuum the surface. You can use the nap lifter prior to vacuuming to loosen dirt from the carpet.
- ◆ For soiled carpets, dip the shampoo brush in the cleaning solution and shampoo the soiled area. Move the appliance in a circular pattern. Do not hold the appliance in one place while running. Once the foam has disappeared, let it dry, then vacuum the carpet. You can use the nap lifter immediately after shampooing.
- ◆ If you are unsure about using this appliance on a particular surface, test it first on a small inconspicuous patch.

TROUBLESHOOTING

If the product does not work, follow the instructions below. If this does not solve the problem, please contact your local Black & Decker repair agent.

- ◆ Make sure the battery is fully charged.
- ◆ If the battery cannot be charged, check if the charger is plugged in correctly and the mains is working.

CLEANING AND MAINTENANCE

- ◆ Regularly clean the motor unit using a damp cloth. Do not use any abrasive or solvent-based cleaner.
- ◆ After every use, clean the accessories in soapy water.

PROTECTING THE ENVIRONMENT



Should you find one day that your Black & Decker product needs replacement, or if it is of no further use to you, think of the protection of the environment. Black & Decker repair agents will accept old Black & Decker products and ensure that they are disposed of in an environmentally safe way.

Battery



If you want to dispose of the product yourself, the battery must be removed as described below and disposed of in accordance with local regulations.

Do not short-circuit the battery terminals.

- ◆ Preferably discharge the battery by operating the appliance until the motor stops.
- ◆ Remove the battery.
- ◆ Fit the battery cap onto the battery or place the battery in suitable packaging to ensure that the terminals cannot be short-circuited.
- ◆ Take the battery to your service agent or a local recycling station. Collected batteries will be recycled or disposed of properly.

GUARANTEE

Black & Decker is confident of the quality of its products and offers an outstanding guarantee. This guarantee statement is in addition to and in no way prejudices your statutory rights. The guarantee is valid within the territories of the Member States of the European Union and the European Free Trade Area.

If a Black & Decker product becomes defective due to faulty materials, workmanship or lack of conformity, within 24 months from the date of purchase, Black & Decker guarantees to replace defective parts, repair products subjected to fair wear and tear or replace such products to ensure minimum inconvenience to the customer unless:

- ◆ The product has been used for trade, professional or hire purposes;
- ◆ The product has been subjected to misuse or neglect;
- ◆ The product has sustained damage through foreign objects, substances or accidents;
- ◆ Repairs have been attempted by persons other than authorised repair agents or Black & Decker service staff.

To claim on the guarantee, you will need to submit proof of purchase to the seller or an authorised repair agent. You can check the location of your nearest authorised repair agent by contacting your local Black & Decker office at the address indicated in this manual. Alternatively, a list of authorised Black & Decker repair agents and full details of our after-sales service and contacts are available on the Internet at: www.2helpU.com.

Australia DeWALT Industrial Power Tool Company Tel. 03 9895 9200
7 Clarice Road Fax 03 9899 7465
Box Hill, Victoria 3128

New Zealand Black & Decker Tel. 09 579 7600
81 Hugo Johnson Drive Fax 09 579 8200
Penrose, Auckland, New Zealand

South Africa Black & Decker South Africa (Pty) Ltd Tel. (011) 653-1400
Physical address: Fax (011) 653-1499
39 Commerce Crescent
Eastgate, ext. 12, Sandton, Kramerville 2148
Postal address:
Postnet Suite 107, Private Bag X65
Halfway House 1685

United Kingdom Black & Decker Tel. 01753 511234
210 Bath Road Fax 01753 551155
Slough, Berkshire SL1 3YD Helpline 01753 574277
